



A TEREX BRAND

Parts Manual

Serial Number Range

GS-2669RT
GS-3369RT
GS-4069RT

from SN GS69F-10500

Part No. 1286238GT
Rev: B4
August 2025

Technical Publications

Genie has endeavored to deliver the highest degree of accuracy possible. However, continuous improvement of our products is a Genie policy. Therefore, product specifications are subject to change without notice.

Readers are encouraged to notify Genie of errors and send in suggestions for improvement. All communications will be carefully considered for future printings of this and all other manuals.

Contact Us:

Internet: www.genielift.com
e-mail: awp.techpub@terex.com

Find a Manual for this Model

Go to <http://www.genielift.com>

Use the links to locate Operator's, Parts, Maintenance, and Service and Repair Manuals.

Copyright © 2011 by Terex Corporation

1286238GT Rev B4 August 2025
First Edition, First Printing

Genie is a registered trademark of Terex South Dakota in the USA and many other countries. "GS" is a trademark of Terex South Dakota, Inc.

 Printed on recycled paper



Model: GS-3369
Serial number: GS69F-12345
Model year: 2012 Manufacture date: 02/19/12
Electrical schematic number: ES0XXX
Machine unladen weight: 2,714 lb / 1,231 kg

Rated work load (including occupants): 500 lb / 227 kg
Maximum allowable inclination of the chassis:
N/A

Gradeability: N/A

Maximum allowable side force : 100 lb / 445 N
Maximum number of platform occupants:2

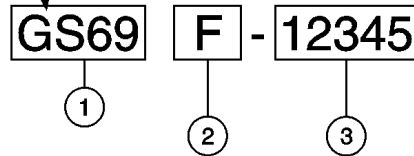
Country of manufacture: USA
This machine complies with:

ANSI A92.6
CAN B354.2

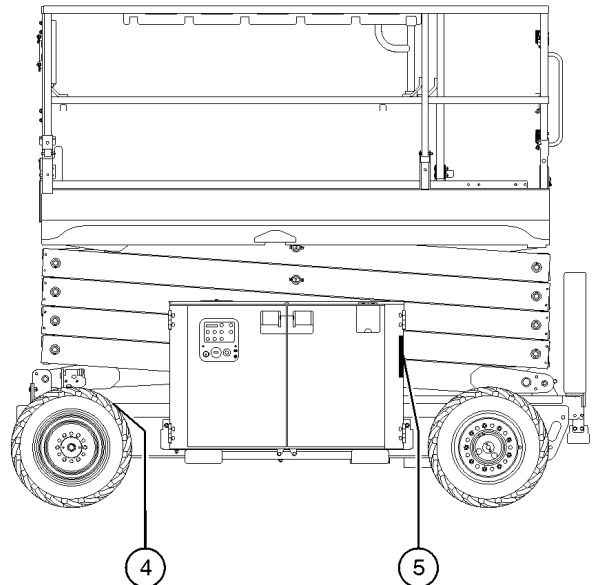
Terex South Dakota, Inc.
18340 NE 76th Street
PO Box 97030
Redmond, WA 98052
USA



PN - 96472



- 1 Model
- 2 Facility code
- 3 Sequence number
- 4 Serial number (stamped on chassis)
- 5 Serial label (located under cover)



How to Order Parts

Please be prepared with the following information when ordering replacement parts for your Terex or Genie product.

- Machine model number
- Machine serial number
- Part number
- Part description and quantity
- Purchase order number
- "Ship to" address
- Desired method of shipment
- Name and telephone number of the authorized distributor in your area

Use the Service Parts Fax Order Form on the next page and fax your order to our Parts Department.

If you don't know the name of your authorized distributor, or if your area is not currently serviced by an authorized distributor, please call Terex or Genie Industries.

Machine Information

Model

Serial Number

Date of Purchase

Authorized Genie Distributor

Phone Number

North America

Telephone (425)881-1800

Toll Free (800)536-1800 in US and Canada

Fax (425)556-8659

Toll Free fax (888)274-6192

Email AWP.PartsSalesPO@terex.com

<http://genielift.com/en>

EMEAR (Europe, Middle East, Africa and Russia)

Telephone (31)(165)519 313

Fax (31)(165)511 148

<http://genielift.co.uk>

Asia Pacific (Genie Singapore)

Telephone +65 6692 7777

Fax +65 6261 8893

<http://genielift.com.sg/>

Australia

Telephone (61)(7)3456 4444

Fax (61)(7)3456 4466

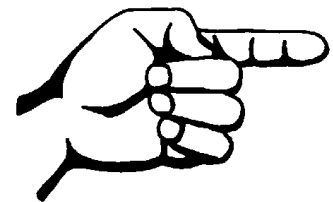
<http://genielift.com.au>

South America

Telephone (55)(11)4082 5600

Fax (55)(11)4082 5630

Please refer to section 001 for the Parts Stocking List.



This page intentionally left blank.

Description	Page
001 Parts Stocking List	12
001.1 Parts Stocking List	12
100 Decals	18
101.1 Decals with Words, GS-2669, Engine Side (to SN GS69F-17999)	18
102.1 Decals with Words, GS-2669, Controls Side (to SN GS69F-17999)	22
103.1 Decals with Words, GS-2669 Platform, ANSI & CSA (to SN GS69F-17999)	26
104.1 Decals with Words, GS-2669 Platform, Australia (to SN GS69F-17999)	28
105.1 Decals with Symbols, GS-2669, Engine Side (to SN GS69F-17999)	30
106.1 Decals with Symbols, GS-2669, Controls Side (to SN GS69F-17999)	32
107.1 Decals with Symbols, GS-2669 Platform, Asia & South America (to SN GS69F-17999)	34
108.1 Decals with Symbols, GS-2669 Platform, CE (to SN GS69F-17999)	36
109.1 Decals with Words, GS-3369, Engine Side (to SN GS69F-17999)	38
110.1 Decals with Words, GS-3369, Controls Side (to SN GS69F-17999)	40
111.1 Decals with Words, GS-3369 Platform, ANSI & CSA (to SN GS69F-17999)	44
112.1 Decals with Words, GS-3369 Platform, Australia (to SN GS69F-17999)	46
113.1 Decals with Symbols, GS-3369, Engine Side (to SN GS69F-17999)	48
114.1 Decals with Symbols, GS-3369, Controls Side (to SN GS69F-17999)	50
115.1 Decals with Symbols, GS-3369 Platform, Asia & South America (to SN GS69F-17999)	52
116.1 Decals with Symbols, GS-3369 Platform, CE (to SN GS69F-17999)	54
117.1 Decals with Words, GS-4069, Engine Side (to SN GS69F-17999)	56
118.1 Decals with Words, GS-4069, Controls Side (to SN GS69F-17999)	58
119.1 Decals with Words, GS-4069 Platform, ANSI & CSA (to SN GS69F-17999)	62
120.1 Decals with Words, GS-4069 Platform, Australia (to SN GS69F-17999)	64
121.1 Decals with Symbols, GS-4069, Engine Side (to SN GS69F-17999)	66
122.1 Decals with Symbols, GS-4069, Controls Side (to SN GS69F-17999)	68
123.1 Decals with Symbols, GS-4069 Platform, Asia & South America (to SN GS69F-17999)	70
124.1 Decals with Symbols, GS-4069 Platform, CE (to SN GS69F-17999)	72
125.1 Decals with Word, Engine Side (from SN GS69F-18000)	74
126.1 Decals with Word, Control Side (from SN GS69F-18000)	78
127.1 Decals with Word, Platform Side (from SN GS69F-18000)	82
128.1 Decals with Symbol, Engine Side (from SN GS69F-18000)	84
129.1 Decals with Symbol, Control Side (from SN GS69F-18000)	86
130.1 Decals with Symbol, Platform Side (from SN GS69F-18000)	90
200 Drive Chassis Components.....	94
201.1 Steer Axle Linkage, Wheels and Drive Motors	94
202.1 Steer Axle Linkage, Oscillation	98
203.1 Non-Steer Axle and Drive Motors, GS-2669, GS-3369	100
203.2 Non-Steer Axle and Drive Motors, GS-4069	106
204.1 Ladder and Counterweight, GS-2669, GS-3369	112



Table of Contents

Description	Page
204.2 Ladder and Counterweight, GS-4069	114
205.1 Drive Chassis, Safety Components	116
300 Engine Components	118
301.1 Kubota D-1105 Engine, View 1	118
302.1 Kubota D-1105 Engine, View 2	124
303.1 Kubota D-1105 Engine, View 3	128
304.1 Kubota D-1105 Engine, View 4	132
305.1 Perkins 403D-11 Engine, View 1 (to SN GS69F-11000)	136
306.1 Perkins 403D-11 Engine, View 2 (to SN GS69F-11000)	142
307.1 GM 0.998L Engine, View 1 (to SN GS69F-19984)	146
307.2 GM 0.998L Engine, View 1 (from SN GS69F-19985)	150
308.1 GM 0.998L Engine, View 2	152
309.1 GM 0.998L Engine, View 3	156
310.1 GM 0.998L Engine, View 4	158
400 Chassis Tray Components	166
401.1 Engine Tray Components, View 1	166
402.1 Engine Tray Components, View 2	168
403.1 Hydraulic Tank, Fuel Tank, and Ground Controls Installation	172
403.2 Gasoline Tank, Hoses and Fittings, GM 0.998L Engine (to SN GS69F-11863)	178
403.3 Gasoline Tank, Hoses and Fittings, GM 0.998L Engine (from SN GS69F-11864 to SN GS69F-19984) ..	182
403.4 Gasoline Tank, Hoses and Fittings, GM 0.998L Engine (from SN GS69F-19985)	186
404.1 Hydraulic Tray Components	190
405.1 Ground Controls	192
406.1 LPG Tank Installation	198
407.1 Chassis Cover Installation	200
408.1 Electrical Wiring and Power Cables (to GS69F-17999)	202
408.2 Electrical Wiring and Power Cables (from GS69F-18000)	206
500 Scissor Components	210
501.1 Scissor Components, GS-2669 RT	210
502.1 Scissor Components, GS-3369 RT, View 1	216
503.1 Scissor Components, GS-3369 RT, View 2	220
504.1 Scissor Components, GS-4069 RT, View 1	224
505.1 Scissor Components, GS-4069 RT, View 2	228
600 Platform Components	232
601.1 Platform Installation, GS-2669 RT, View 1	232
602.1 Platform Installation, GS-3369 RT and GS-4069 RT, View 2	234
603.1 Platform Railing Installation	236
604.1 Platform Entry Gate	240

Description	Page
605.1 Platform Side Exit	244
606.1 Platform Extension	246
607.1 Platform Extension Deck Lock	250
608.1 Power to Platform, GS-2669	252
608.2 Power to Platform, GS-3369	256
608.3 Power to Platform, GS-4069	260
609.1 Platform Controls	264
610.1 Platform Controls Joystick	266
700 Hydraulic Components	268
701.1 Function Manifold	268
702.1 Traction Manifold, View 1	274
703.1 Traction Manifold, View 2	278
704.1 Oscillate Cylinders, All Models	280
705.1 Lift Cylinders, GS-2669, GS-3369	282
705.2 Lift Cylinders, GS-4069	284
706.1 Hydraulic Hoses and Fittings, Lift Cylinder, GS-4069 RT	286
707.1 Hydraulic Hoses and Fittings, View 1	288
708.1 Hydraulic Hoses and Fittings, View 2	292
800 Accessories	296
801.1 Flashing Motion Beacon	296
802.1 Generator Installation	298
803.1 Generator	300
804.1 Hydraulic Hoses and Fittings, Generator	302
805.1 Oil Cooler	304
806.1 Hydraulic Hoses and Fittings, Oil Cooler	306
807.1 Cold Start Installation	308
808.1 Outrigger Installation, View 1	310
809.1 Outrigger Installation, View 2 (to SN GS69F-21194)	312
809.2 Outrigger Installation, View 2 (from SN GS69F-21195)	316
810.1 Outrigger Manifold	318
811.1 Outrigger Cylinders, All Models	320
812.1 Hydraulic Hoses and Fittings, Outrigger	322
813.1 Air to Platform, GS-2669	324
813.2 Air to Platform, GS-3369	326
813.3 Air to Platform, GS-4069	328
814.1 Link Guard, CE and Australia, GS-2669	330
814.2 Link Guard, CE and Australia, GS-3369	332
814.3 Link Guard, CE and Australia, GS-4069	334
815.1 Platform Work Light	336
816.1 Telematics Option	338

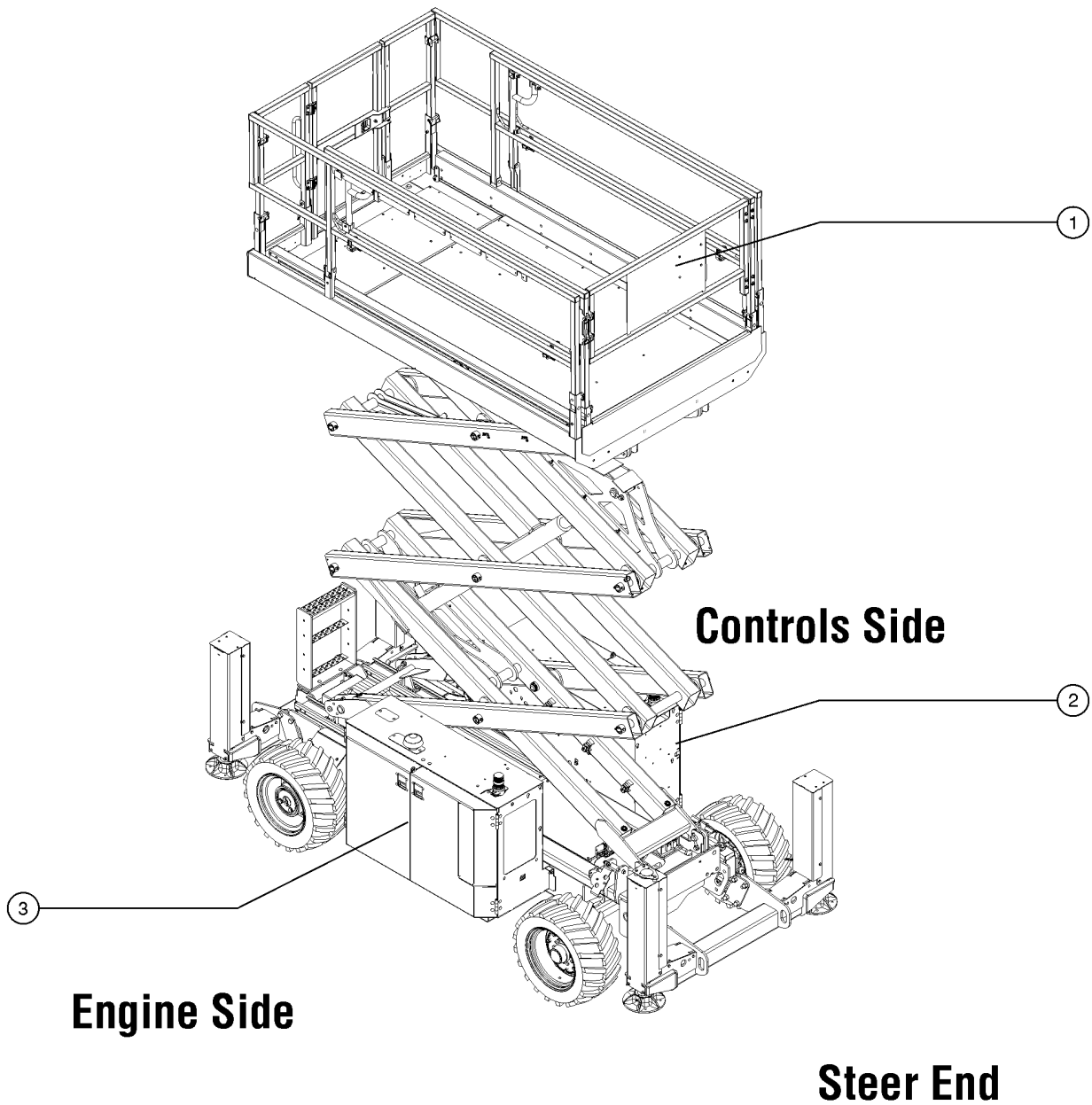


Table of Contents

Description	Page
817.1 Lift Tool Material Carrier	340
818.1 Access Manager Option	342
Part Number Index	344



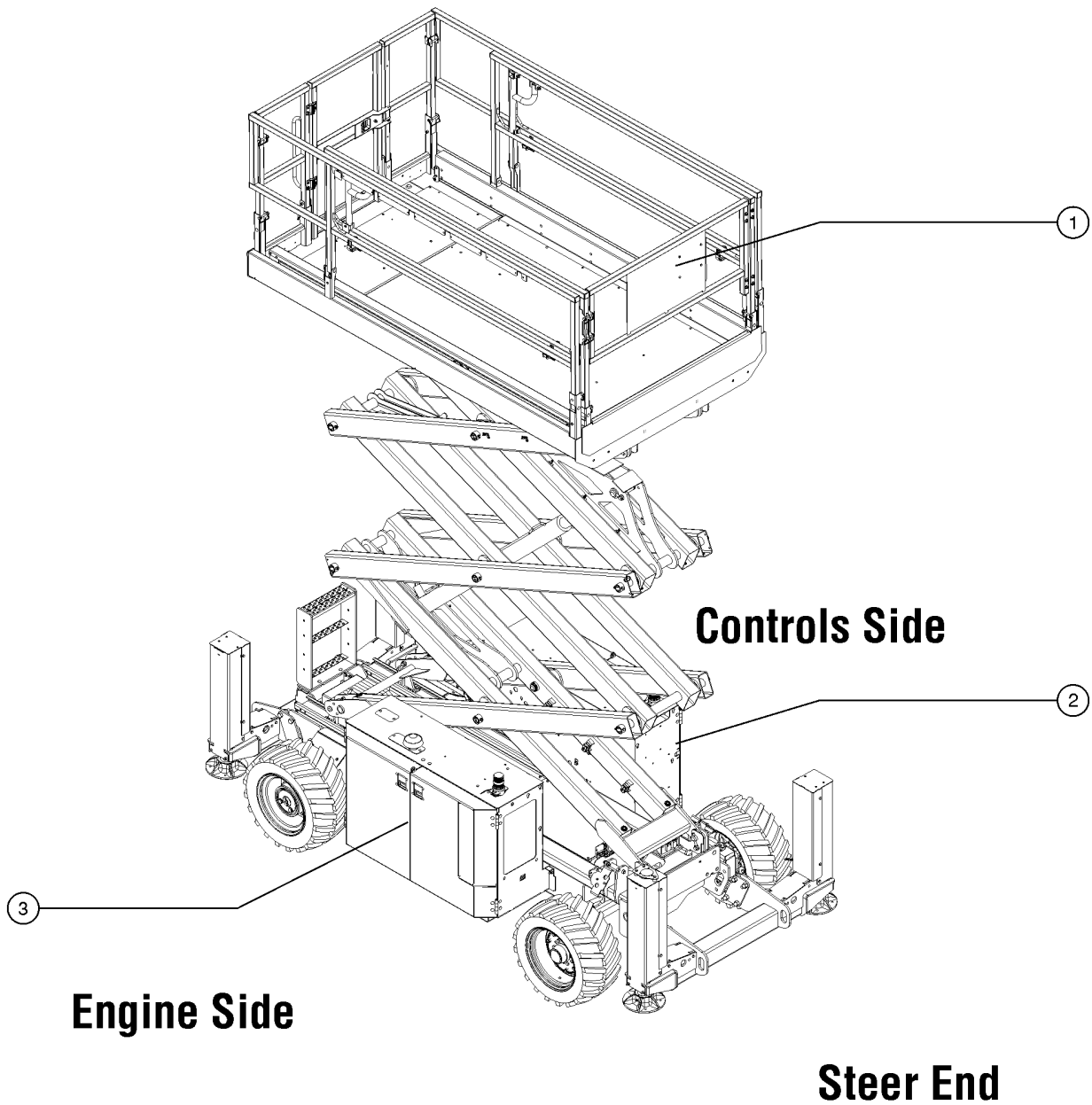
001.1 Parts Stocking List



Item	Part No.	Description	Qty.
A		—General Service Parts—	
A-	1484GT	PAINT, AEROSOL, BRIGHT BLUE*** 12-ounce spray paint	
A-	1268GT	PAINT, AEROSOL, GENIE GRAY*** 12-ounce spray paint	
A-	1258567GT	PAINT, AEROSOL, TRAFFIC BLACK 12-ounce spray paint	
A-	32150GT	PAINT, WET, GENIE BLUE (1 GL)** 1-gallon	
A-	32151GT	PAINT, WET, GENIE GRAY (1GL)** 1-gallon	
A-	1257733GT	PAINT, WET, TRAFFIC BLACK(1 GL)** 1-gallon	
A-	49613GT	PLUG AND CAP KIT-SERVICE,ORFS* (all models)	
A-	66399GT	GREASE, DIELECTRIC 4 OZ** (all models)	
A-	131661GT	MANUAL, OPERATORS, PERKINS, 403D (perkins 403D-11 engine)	
A-	131662GT	MANUAL, WORKSHOP, PERKINS, 403D (perkins 403D-11 engine)	
A-	131379GT	MANUAL, OPER, KUBOTA DIESEL **** (kubota D1105 engine)	
A-	229761GT	MANUAL, WORKSHOP, D1105 (kubota D1105 engine)	
1		—Manuals—	
1-	27581GT	MANUAL, SAFTY MANNAL (all models)	
1-	1298933GT	MANUAL, SAIA MANUAL OF RESPONSIBILITIES, MEWP (all models)	
2		—HYD Filters— (refer to section 400)	
2-	60857GT	FILTER, ELEMENT, BETA(5)=1000 use with high pressure filter 60334GT	
2-	131658GT	CAP, HYDRAULIC TANK, GS68/84/90 (all models) (refer to section 400)	
3A		—Kubota D-1105 Models—	
3A-	236095GT	FILTER, AIR, D1105 (refer to section 300)	
3A-	866050GT	FILTER, OIL, KUBOTA (refer to section 300)	
3A-	65853GT	FILTER, FUEL/WATER SEPARATOR*** (refer to section 300)	
3A-	231233GT	BELT, FAN, D-1105 (refer to section 300)	



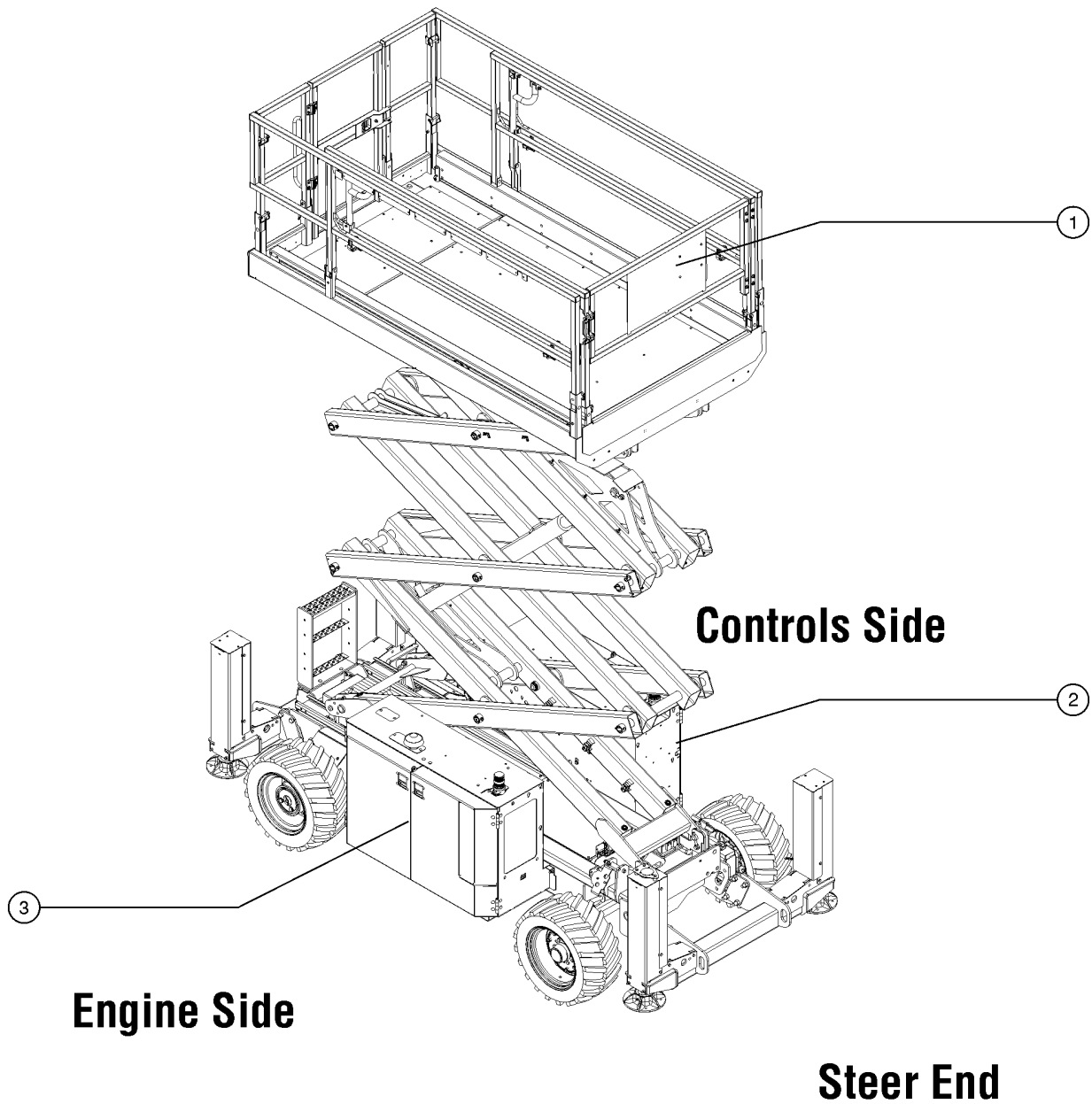
001.1 Parts Stocking List



Item	Part No.	Description	Qty.
3B		—Perkins 403D-11 Models—	
3B-	52867GT	FILTER,AIR*** (refer to section 300)	
3B-	42767GT	SEPARATOR/FILTER ELEMENT,FUEL* (refer to section 300)	
3B-	62421GT	FILTER,FUEL,PERKINS (refer to section 300)	
3B-	94762GT	OIL FILTER - PERKINS (refer to section 300)	
3B-	85071GT	BELT-FAN, PERKINS (103.10) (refer to section 300)	
3C		—GM .998L Models—	
3C-	1272019GT	FILTER, FUEL (refer to section 300)	1
3C-	77750GT	FUEL PUMP (GM ENG) (refer to section 300)	
3C-	1271754GT	GASKET, WATER INLET .998L (refer to section 300)	
3C-	1271797GT	KIT, VAPORIZER .998L (refer to section 300)	
3C-	1271848GT	KIT, EXHAUST .998L (refer to section 300) No longer available, for service replacement, order lower level components 1271849GT(Exhaust manifold), 1293500(Bolt), 1335621GT (Nut), 1271850GT (Stud), 1271851 (Gasket), 1335622GT(Sheild)	
3C-	52867GT	FILTER,AIR*** (refer to section 300)	
3C-	119684GT	AIR CLEANER ASSEMBLY (refer to section 300)	
3C-	1271878GT	STARTER, .998L (refer to section 300)	
3C-	1271823GT	KIT, ELECTRICAL .998L (refer to section 300), no longer available, order individual components	
3C-	1298687GT	ECM,SSI,.79L/.97L	
3C-	1298688GT	ISOLATOR, 1.00" DIA X .50" P/S 1/4-20, NR	
3C-	1298690GT	BRACKET, FUSE BOX .998L	
3C-	1298691GT	BRACKET, COIL, .998L	
3C-	1298695GT	SCREW, 1/4-20X5/8 HX FLNG SER,GR5	
3C-	1298696GT	SCREW,M6X1.0X16 HX FLNG SER CL8.8	
3C-	1298697GT	SCREW,M6X1.0X35 HX FLNG SER,CL8.8	
3C-	1298698GT	BOLT,1/4-20X3/8 FLANGE HD SER	
3C-	1298699GT	BOLT,1/4-20X3/4 FLANGE HEAD	
3C-	1298700GT	WASHER,5/16 STAR EXTERNAL	



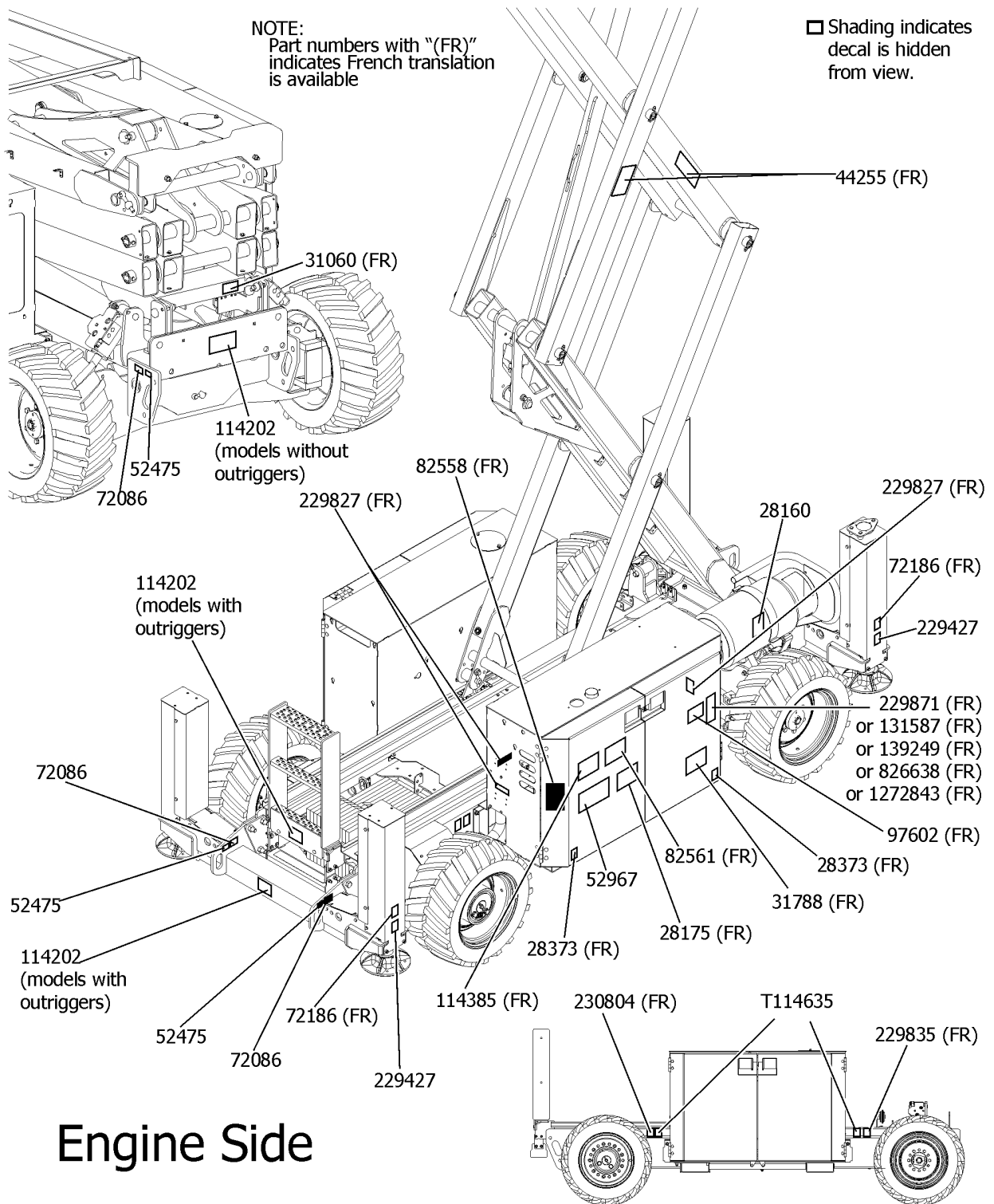
001.1 Parts Stocking List



<i>Item</i>	<i>Part No.</i>	<i>Description</i>	<i>Qty.</i>
3C-	1298701GT	SCREW,M8X1.25X12,HX FLNG NS,CL8.8	
3C-	1298702GT	NUT,M6X1.0 HX FLNG NS CL8	



101.1 Decals with Words, GS-2669, Engine Side (to SN GS69F-17999)

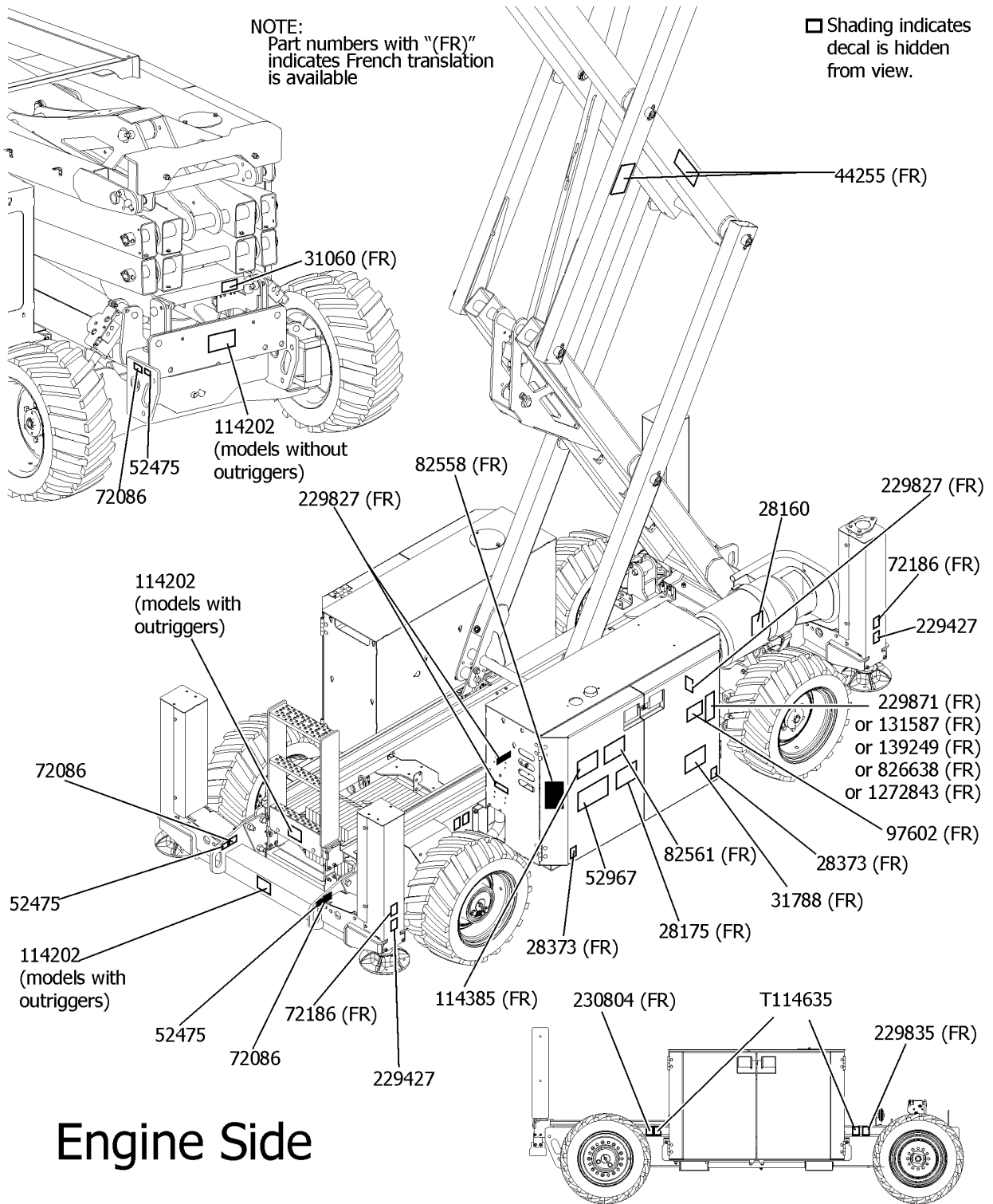


101.1 Decals with Words, GS-2669, Engine Side (to SN GS69F-17999)

Item	Part No.	Description	Qty.
-	233039GT	DECAL KIT, 2669 COMP,WRD,ANSI (Decal kit, complete for ANSI models only)	
-	233044GT	DECAL KIT, 2669 COMP,WRD,AUS (Decal kit, complete for AUS models only)	
-	233047GT	DECAL KIT, 2669 PLAT,WRD,ANSI (Decal kit, platform for ANSI models only)	
-	233800GT	DECAL KIT, 2669 PLAT,WRD,AUS (Decal kit, platform for AUS models only)	
1	28160GT	DECAL,LABEL,LIQUID PROPANE	1
2	28175GT	DECAL,WARNING-COMPART ACCESS	1
3	28373GT	DECAL,FORK LIFT POCKET	2
4	31060GT	DECAL,DANGER DO NOT ALTER SWTC	1
5	31788GT	DECAL,DANGER,BATTERY SAFETY***	1
6	44255GT	DECAL,DANGER,CRUSHING HAZARD	2
7	52475GT	DECAL,LABEL,TRANSPORT TIEDOWN*	2
8	52967GT	DECAL,COSMETIC,4 X 4	1
9	72086GT	DECAL,LABEL,LIFTING EYE	2
10	72186GT	DECAL,WARNING,CRUSHING HAZARD	2
11	82558GT	DECAL,WARN,SKIN INJECTION HAZ*	1
12	82561GT	DECAL,DANGER-USE SAFETY ARM	1
13	97602GT	DECAL,EXPLOSION HAZARD	1
14	114202GT	DECAL,LABEL,TRANSPORT TIE 68	1
15	114385GT	DECAL,DANGER,ELEC HAZARD,GS	1
16	131587GT	DECAL,NOTICE,KUB,D1105,T4 (option)	1
17	139249GT	DECAL,NOTICE,PERKINS 403D SPEC (option)	1
18	229427GT	DECAL,LABEL,OUTRIGGER LD	2
19	229827GT	DECAL,WARNING,HOT SURFACE	3
20	229835GT	DECAL,NOTICE,TIRE SPECS (steer end)	1
21	229871GT	DECAL,NOTICE,KUBOTA GAS SPECS (option)	1
22	230804GT	DECAL,NOTICE,TIRE SPECS, REAR (non-steer end)	1
23	826638GT	DECAL,ENGINE SPEC,PERKINS 403D	1
23	1272843GT	DECAL,NOTICE,GM .998L SPEC (option)	1



101.1 Decals with Words, GS-2669, Engine Side (to SN GS69F-17999)



101.1 Decals with Words, GS-2669, Engine Side (to SN GS69F-17999)

<i>Item</i>	<i>Part No.</i>	<i>Description</i>	<i>Qty.</i>
24	T114635GT	DECAL,LABEL,WHEEL LD,GS2669RT	2



102.1 Decals with Words, GS-2669, Controls Side (to SN GS69F-17999)

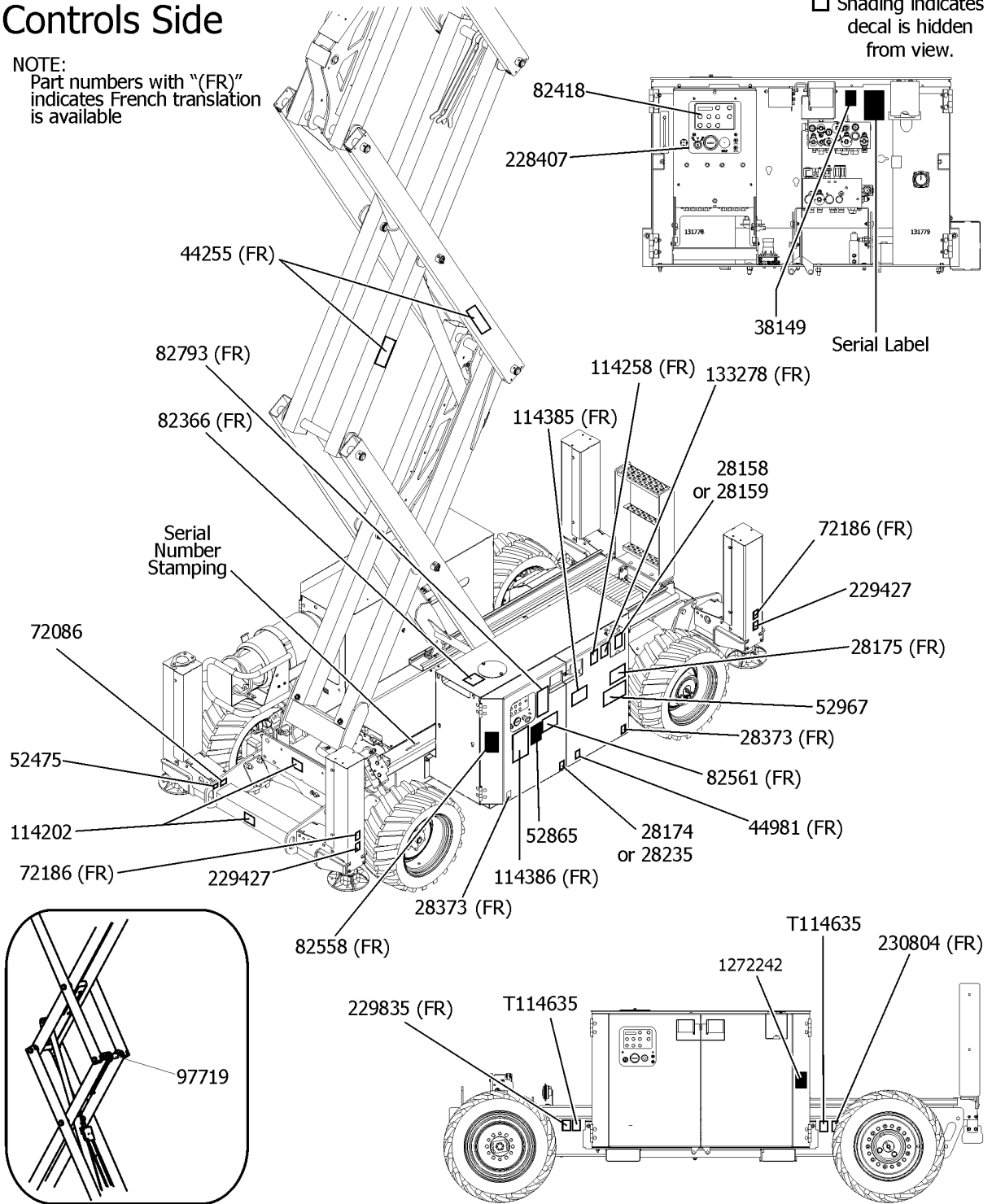
Item	Part No.	Description	Qty.
		Ref. Word Decal Kits (refer to 101.1)	
1	28158GT	DECAL,LABEL,UNLEADED GAS ONLY	1
2	28159GT	DECAL,DIESEL	1
3	28174GT	DECAL,POWER TO PLATFORM 230V	1
4	28175GT	DECAL,WARNING-COMPART ACCESS	1
5	28235GT	DECAL,POWER TO PLATFORM 115V	1
6	28373GT	DECAL,FORK LIFT POCKET	2
7	38149GT	DECAL,LABEL,PATENTS (US only)	1
8	44255GT	DECAL,DANGER,CRUSHING HAZARD	2
9	44981GT	DECAL,LABEL,AIRLINE 110 PSI	1
10	52475GT	DECAL,LABEL,TRANSPORT TIEDOWN*	2
11	52865GT	DECAL,ANNUAL INSP***	1
12	52967GT	DECAL,COSMETIC,4 X 4	1
13	72086GT	DECAL,LABEL,LIFTING EYE	2
14	72186GT	DECAL,WARNING,CRUSHING HAZARD	2
15	82366GT	DECAL,CHEVRON RANDO HD	1
16	82418GT	DECAL,GROUND CONTROL PANEL	1
17	82558GT	DECAL,WARN,SKIN INJECTION HAZ*	1
18	82561GT	DECAL,DANGER-USE SAFETY ARM	1
19	82793GT	DECAL,NOTICE,OP INST,GROUND	1
20	97719GT	DECAL, LABEL, SAFETY ARM SYMBOL	1
21	114202GT	DECAL,LABEL,TRANSPORT TIE 68	1
22	114258GT	DECAL,DANGER,NO SMOKING	1
23	114385GT	DECAL,DANGER,ELEC HAZARD,GS	1
24	114386GT	DECAL,DANGER-GEN SAFETY	1
25	133278GT	DECAL,LOW/ULTRA LOW SULFR FUEL (diesel models only)	1
26	228407GT	DECAL,GROUND CONTROL PANEL	1
27	229427GT	DECAL,LABEL,OUTRIGGER LD	2



Controls Side

NOTE:
Part numbers with "(FR)"
indicates French translation
is available

☐ Shading indicates
decal is hidden
from view.



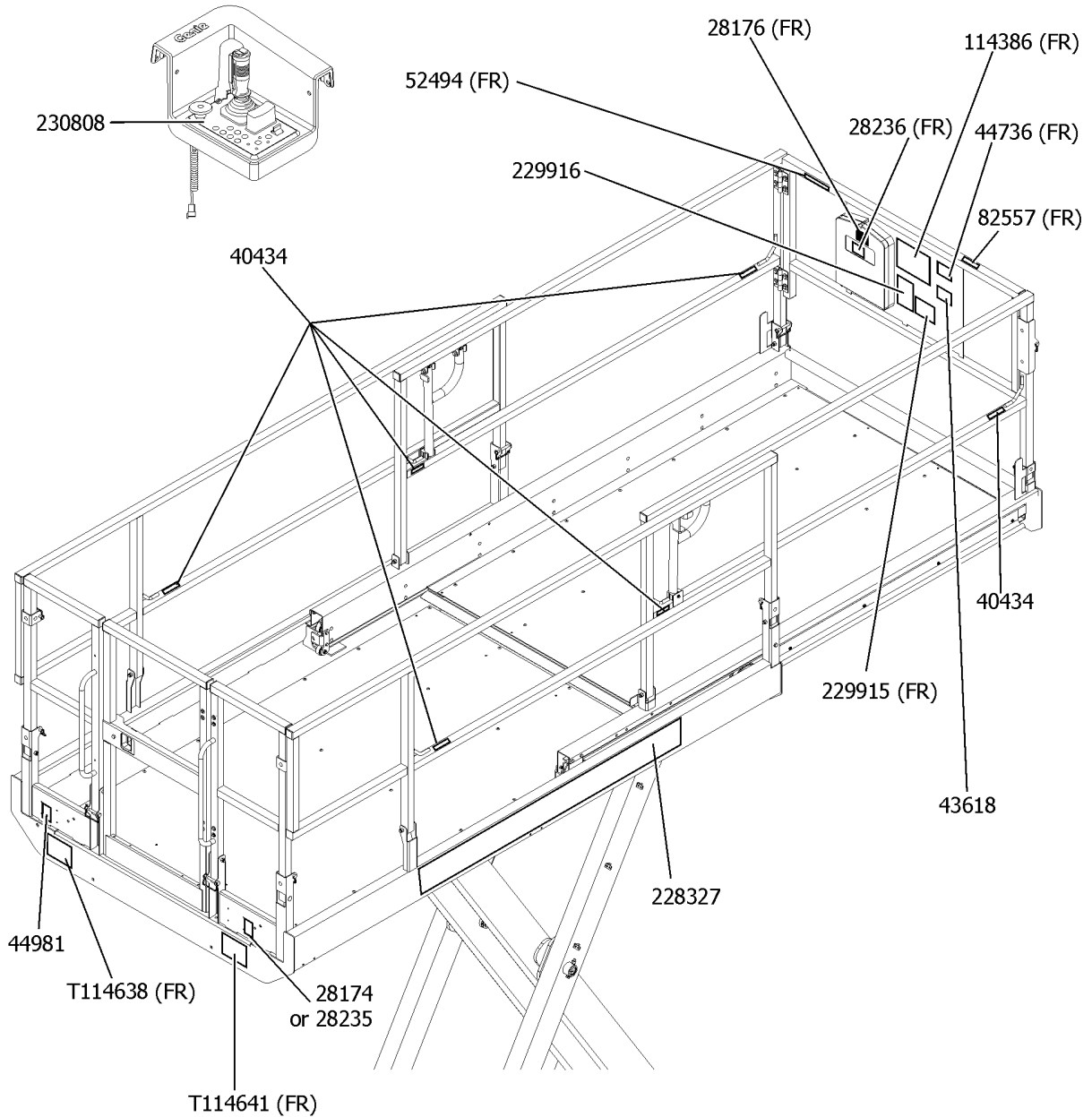
102.1 Decals with Words, GS-2669, Controls Side (to SN GS69F-17999)

<i>Item</i>	<i>Part No.</i>	<i>Description</i>	<i>Qty.</i>
28	229835GT	DECAL,NOTICE,TIRE SPECS (steer end)	1
29	230804GT	DECAL,NOTICE,TIRE SPECS, REAR (non-steer end)	1
30	T114635GT	DECAL,LABEL,WHEEL LD,GS2669RT	2
31	1272242GT	DECAL,MACHINE REGISTRATION/OWNER TRANSFER	1



Platform, ANSI/CSA models

☐ Shading indicates decal is hidden from view.



NOTE:
Part numbers with "(FR)" indicates French translation is available



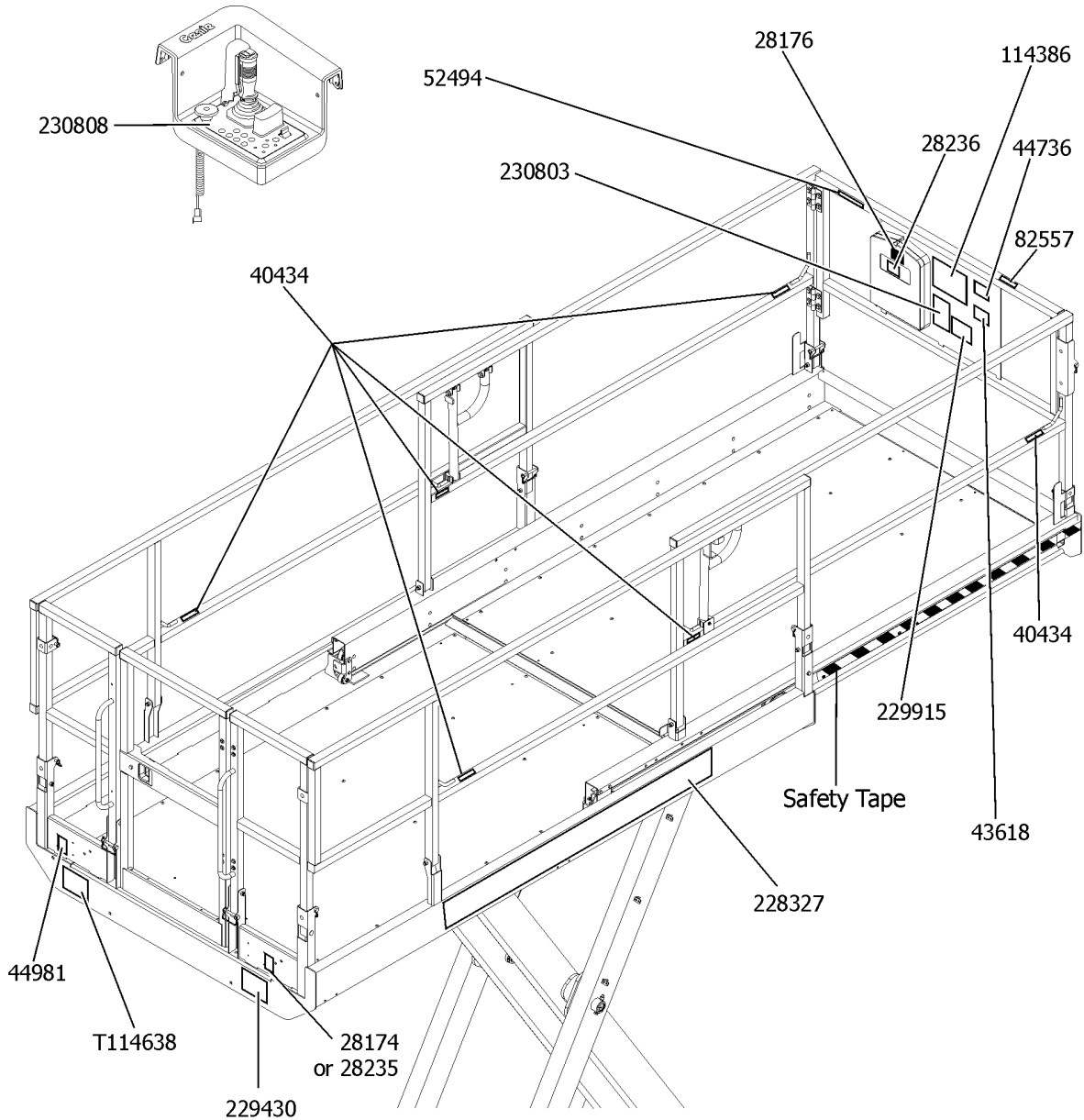
103.1 Decals with Words, GS-2669 Platform, ANSI & CSA (to SN GS69F-17999)

Item	Part No.	Description	Qty.
		Ref. Word Decal Kits (refer to 101.1)	
1	28174GT	DECAL,POWER TO PLATFORM 230V	1
2	28176GT	DECAL,LABEL,MANUAL NOT HERE	1
3	28235GT	DECAL,POWER TO PLATFORM 115V	1
4	28236GT	DECAL,WARN,IMPROPER OPERATION	1
5	40434GT	DECAL,LANYARD ANCHORAGE POINT	6
6	43618GT	DECAL,LABEL-DIRECTION ARROWS	1
7	44736GT	DECAL,DANGER,TIP-OVER,TILT	1
8	44981GT	DECAL,LABEL,AIRLINE 110 PSI	1
9	52494GT	DECAL,CAUTION,CRUSH HAZ, RAILS	1
10	82557GT	DECAL,LABEL,PLAT CONT LOCATION	1
11	114386GT	DECAL,DANGER-GEN SAFETY	1
12	228327GT	DECAL,COSMETIC,GENIE GS-2669RT	2
13	229915GT	DECAL,DANGER,OUTRIGGER SAFETY	1
14	229916GT	DECAL,NOTICE,INST,PLAT-GS69RT	1
15	230808GT	DECAL,PLAT CONTROL PANEL GS69	1
16	T114638GT	DECAL,NOTICE,MAX CAP GS2669 (ANSI & CSA models only)	1
17	T114641GT	DECAL,NOTICE,SIDE FRC,2669 ANS (ANSI & CSA models only)	1



Platform, Australia models

☐ Shading indicates decal is hidden from view.

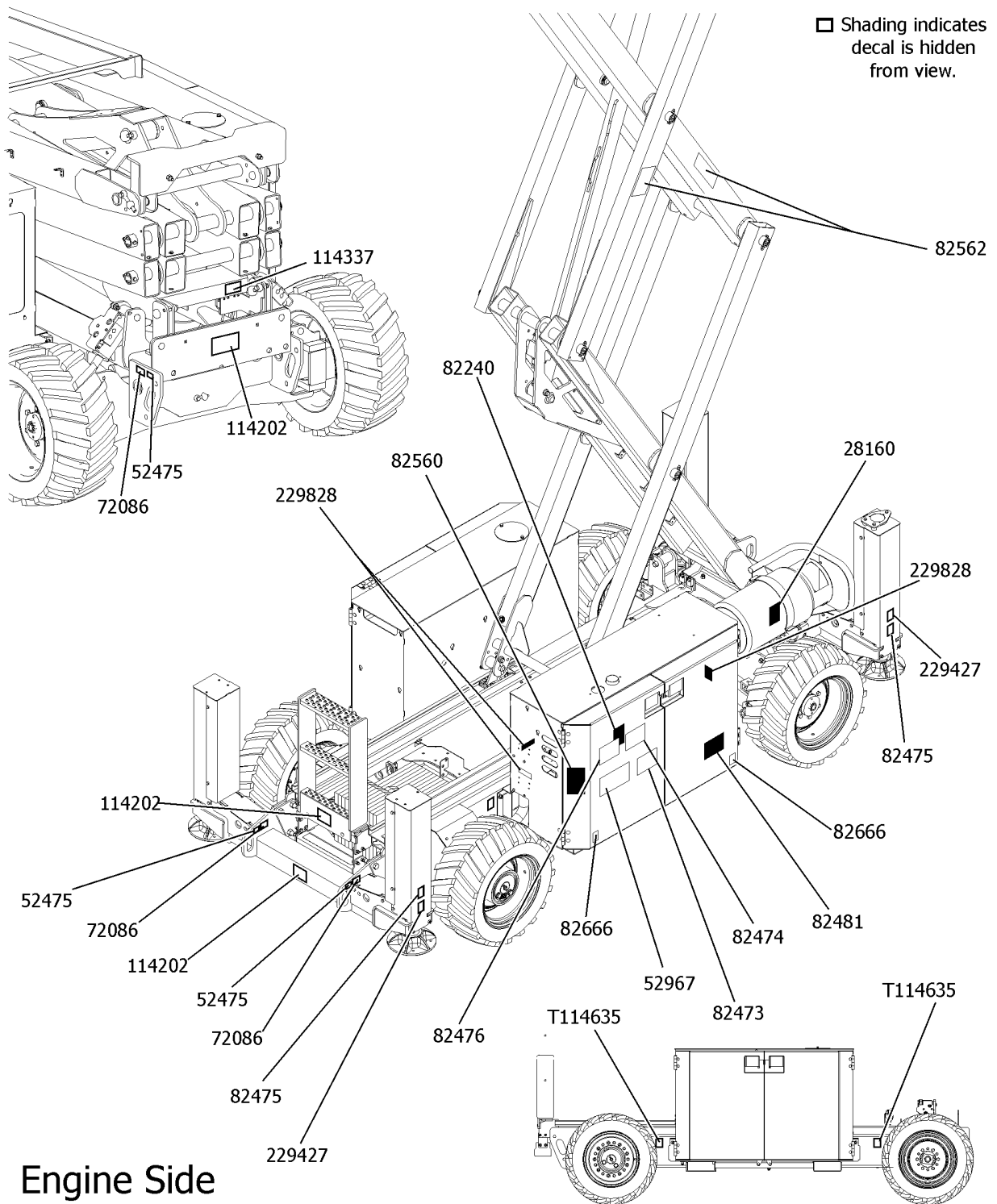


104.1 Decals with Words, GS-2669 Platform, Australia (to SN GS69F-17999)

Item	Part No.	Description	Qty.
		Ref. Word Decal Kits (refer to 101.1)	
1	28174GT	DECAL,POWER TO PLATFORM 230V	1
2	28176GT	DECAL,LABEL,MANUAL NOT HERE	1
3	28235GT	DECAL,POWER TO PLATFORM 115V	1
4	28236GT	DECAL,WARN,IMPROPER OPERATION	1
5	40434GT	DECAL,LANYARD ANCHORAGE POINT	6
6	43618GT	DECAL,LABEL-DIRECTION ARROWS	1
7	44736GT	DECAL,DANGER,TIP-OVER,TILT	1
8	44981GT	DECAL,LABEL,AIRLINE 110 PSI	1
9	52494GT	DECAL,CAUTION,CRUSH HAZ, RAILS	1
10	82557GT	DECAL,LABEL,PLAT CONT LOCATION	1
11	114386GT	DECAL,DANGER-GEN SAFETY	1
12	228327GT	DECAL,COSMETIC,GENIE GS-2669RT	2
13	229915GT	DECAL,DANGER,OUTRIGGER SAFETY	1
14	230803GT	DECAL,NOTICE,INST,PLAT-GS69RT	1
15	230808GT	DECAL,PLAT CONTROL PANEL GS69	1
16	T114638GT	DECAL,NOTICE,MAX CAP GS2669 (Australia models only), to SN GS69F -17999	1
17	229430GT	DECAL NOTICE,MAN FRC,2669 AUS (Australia models only), to SN GS69F -17999	1



105.1 Decals with Symbols, GS-2669, Engine Side (to SN GS69F-17999)



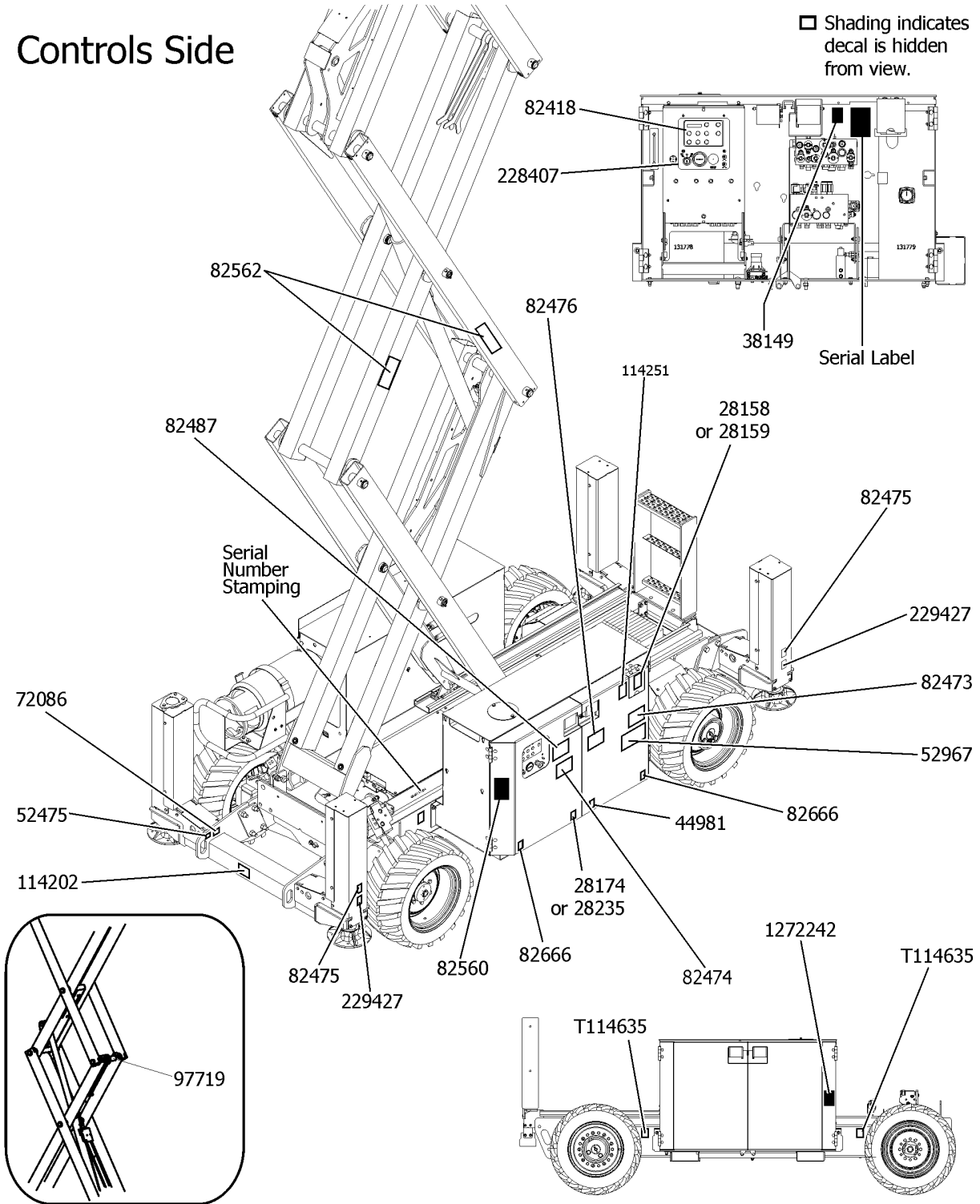
105.1 Decals with Symbols, GS-2669, Engine Side (to SN GS69F-17999)

Item	Part No.	Description	Qty.
	233040GT	DECAL KIT,2669 COMP,SYM,ANSI (Decal kit, complete for ANSI models only)	
	233956GT	DECAL KIT,2669 COMP,SYM,CE (Decal kit, complete for CE models only)	
	233959GT	DECAL KIT,2669 PLAT,SYM,ANSI (Decal kit, platform for Asia & South America models only)	
	233962GT	DECAL KIT,2669 PLAT,SYM,CE (Decal kit, platform for CE models only)	
1	28160GT	DECAL,LABEL,LIQUID PROPANE	1
2	52475GT	DECAL,LABEL,TRANSPORT TIEDOWN*	2
3	52967GT	DECAL,COSMETIC,4 X 4	1
4	72086GT	DECAL,LABEL,LIFTING EYE	2
5	82240GT	DECAL,LABEL,105 DB (CE models only)	1
6	82473GT	DECAL,SYMBOL-COMP ACCESS	1
7	82474GT	DECAL SYMBOL USE SAFETY ARM	1
8	82475GT	DECAL,WARNING,CRUSHING HAZARD	2
9	82476GT	DECAL,SYMBOL-ELEC HAZARD,GS	1
10	82481GT	DECAL,SYMBOL-BATTERY SAFETY	1
11	82560GT	DECAL SYMBOL SKIN INJECT HAZARD	1
12	82562GT	DECAL,SYMBOL-CRUSHING HAZARD	2
13	82666GT	DECAL,LABEL,FORKLIFT POCKET	2
14	114202GT	DECAL,LABEL,TRANSPORT TIE 68	1
15	114337GT	DECAL SYMBOL TIP OVER LIMIT SWITCH	1
16	229427GT	DECAL,LABEL,OUTRIGGER LD	2
17	229828GT	DECAL,LABEL,HOT,SYMBOL	3
18	T114635GT	DECAL,LABEL,WHEEL LD,GS2669RT	2



106.1 Decals with Symbols, GS-2669, Controls Side (to SN GS69F-17999)

Controls Side

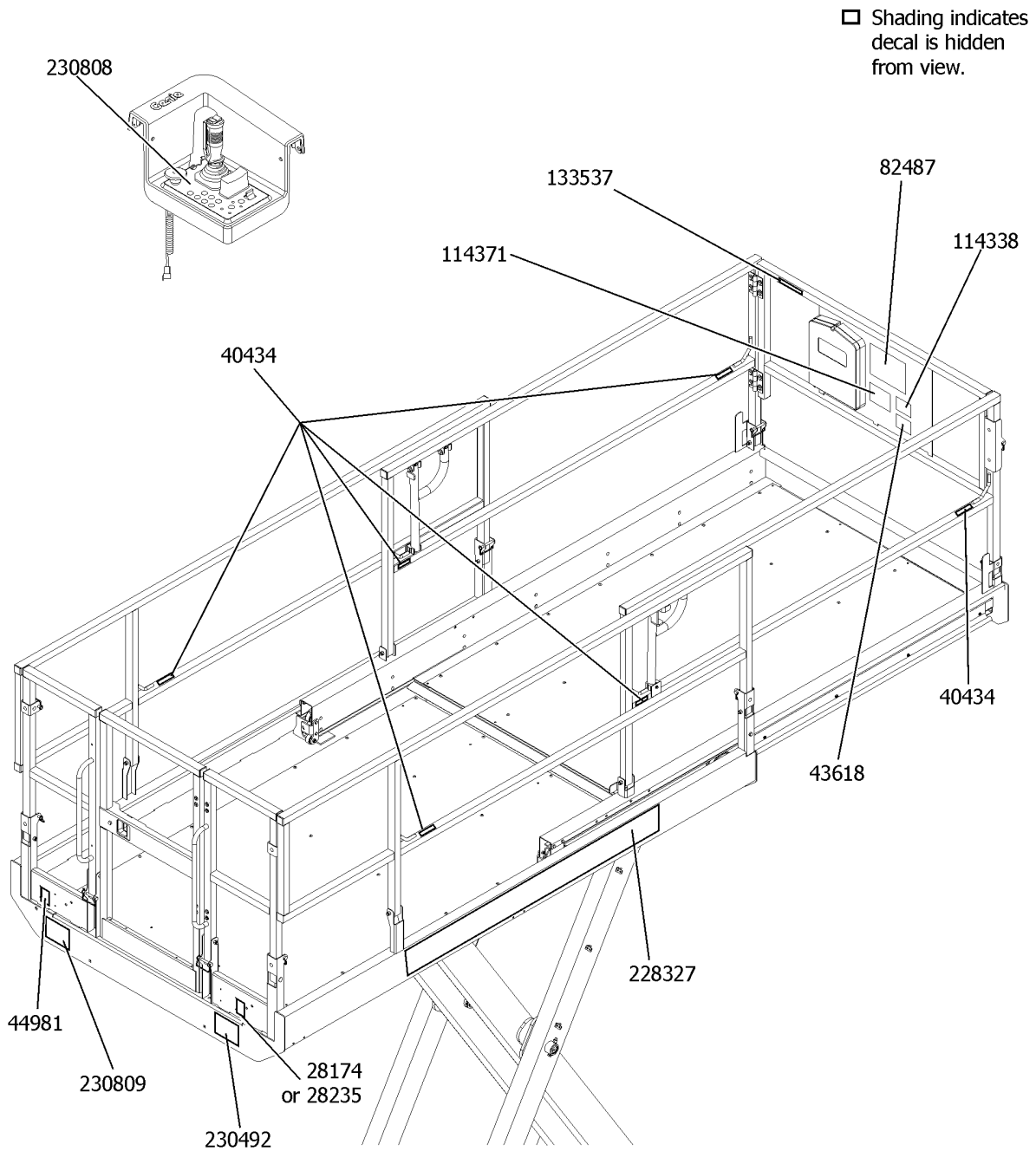


106.1 Decals with Symbols, GS-2669, Controls Side (to SN GS69F-17999)

Item	Part No.	Description	Qty.
		Ref. Symbol Decal Kits (refer to 105.1)	
1	28158GT	DECAL,LABEL,UNLEADED GAS ONLY	1
2	28159GT	DECAL,DIESEL	1
3	28174GT	DECAL,POWER TO PLATFORM 230V	1
4	28235GT	DECAL,POWER TO PLATFORM 115V	1
5	38149GT	DECAL,LABEL,PATENTS (US models only)	1
6	44981GT	DECAL,LABEL,AIRLINE 110 PSI	1
7	52475GT	DECAL,LABEL,TRANSPORT TIEDOWN*	2
8	52967GT	DECAL,COSMETIC,4 X 4	1
9	72086GT	DECAL,LABEL,LIFTING EYE	2
10	82418GT	DECAL,GROUND CONTROL PANEL	1
11A	82473GT	DECAL,SYMBOL-COMP ACCESS (to SN 11474)	1
11B	1263542GT	DECAL,IMPROPER OPERATION,SYMBOL (from SN 11475)	1
12	82474GT	DECAL SYMBOL USE SAFETY ARM	1
13	82475GT	DECAL,WARNING,CRUSHING HAZARD	2
14	82476GT	DECAL,SYMBOL-ELEC HAZARD,GS	1
15	82487GT	DECAL, SYMBOL - READ THE MANUAL	1
16	82560GT	DECAL SYMBOL SKIN INJECT HAZARD	1
17	82562GT	DECAL,SYMBOL-CRUSHING HAZARD	2
18	82666GT	DECAL,LABEL,FORKLIFT POCKET	2
19	97719GT	DECAL, LABEL, SAFETY ARM SYMBOL	1
20	114202GT	DECAL,LABEL,TRANSPORT TIE 68	1
21	114251GT	DECAL,LABEL,NO SMOKING,SYMB	1
22	228407GT	DECAL,GROUND CONTROL PANEL	1
23	229427GT	DECAL,LABEL,OUTRIGGER LD	2
24	T114635GT	DECAL,LABEL,WHEEL LD,GS2669RT	2
25	1272242GT	DECAL,MACHINE REGISTRATION/OWNER TRANSFER	1



107.1 Decals with Symbols, GS-2669 Platform, Asia & South America (to SN GS69F-17999)



Platform, ANSI models

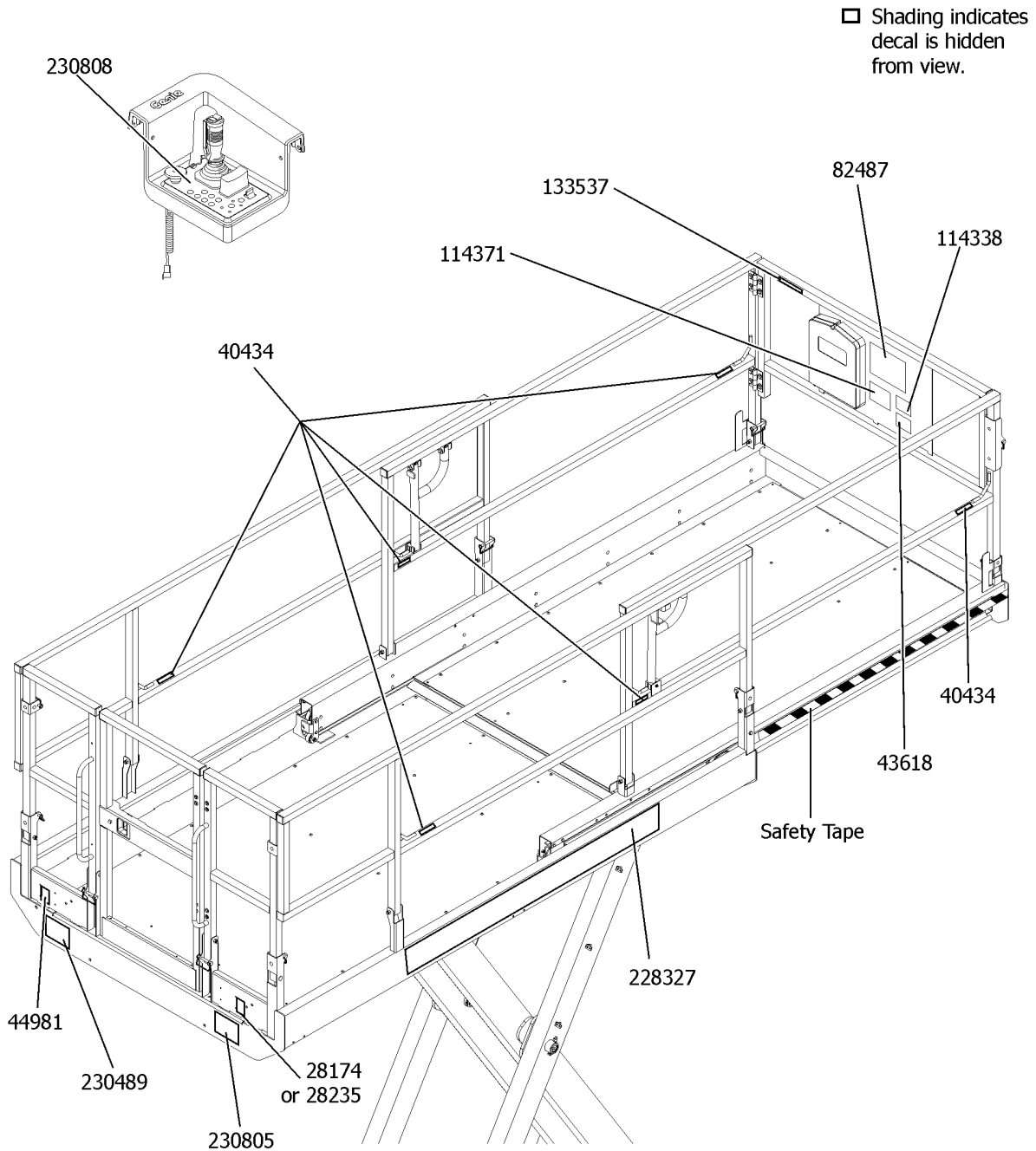


107.1 Decals with Symbols, GS-2669 Platform, Asia & South America (to SN GS69F-17999)

Item	Part No.	Description	Qty.
		Ref. Symbol Decal Kits (refer to 105.1)	
1	28174GT	DECAL,POWER TO PLATFORM 230V	1
2	28235GT	DECAL,POWER TO PLATFORM 115V	1
3	40434GT	DECAL,LANYARD ANCHORAGE POINT	6
4	43618GT	DECAL,LABEL-DIRECTION ARROWS	1
5	44981GT	DECAL,LABEL,AIRLINE 110 PSI	1
6	82487GT	DECAL, SYMBOL - READ THE MANUAL	1
7	114338GT	DECAL SYMBOL TIP OVER TILT ALARM	1
8	114371GT	DECAL,DANGER,OUTRIGGER SAFETY	1
9	133537GT	DECAL,CRUSH HAZ RAILS SYMB	1
10	228327GT	DECAL,COSMETIC,GENIE GS-2669RT	2
11	230492GT	DECAL,DANGER,SIDE FRC,GS2669	1
		(Asia & S. America models only)	
12	230808GT	DECAL,PLAT CONTROL PANEL GS69	1
13	230809GT	DECAL,NOTICE,MAX CAP GS2669	1
		(Asia & S. America models only)	



108.1 Decals with Symbols, GS-2669 Platform, CE (to SN GS69F-17999)



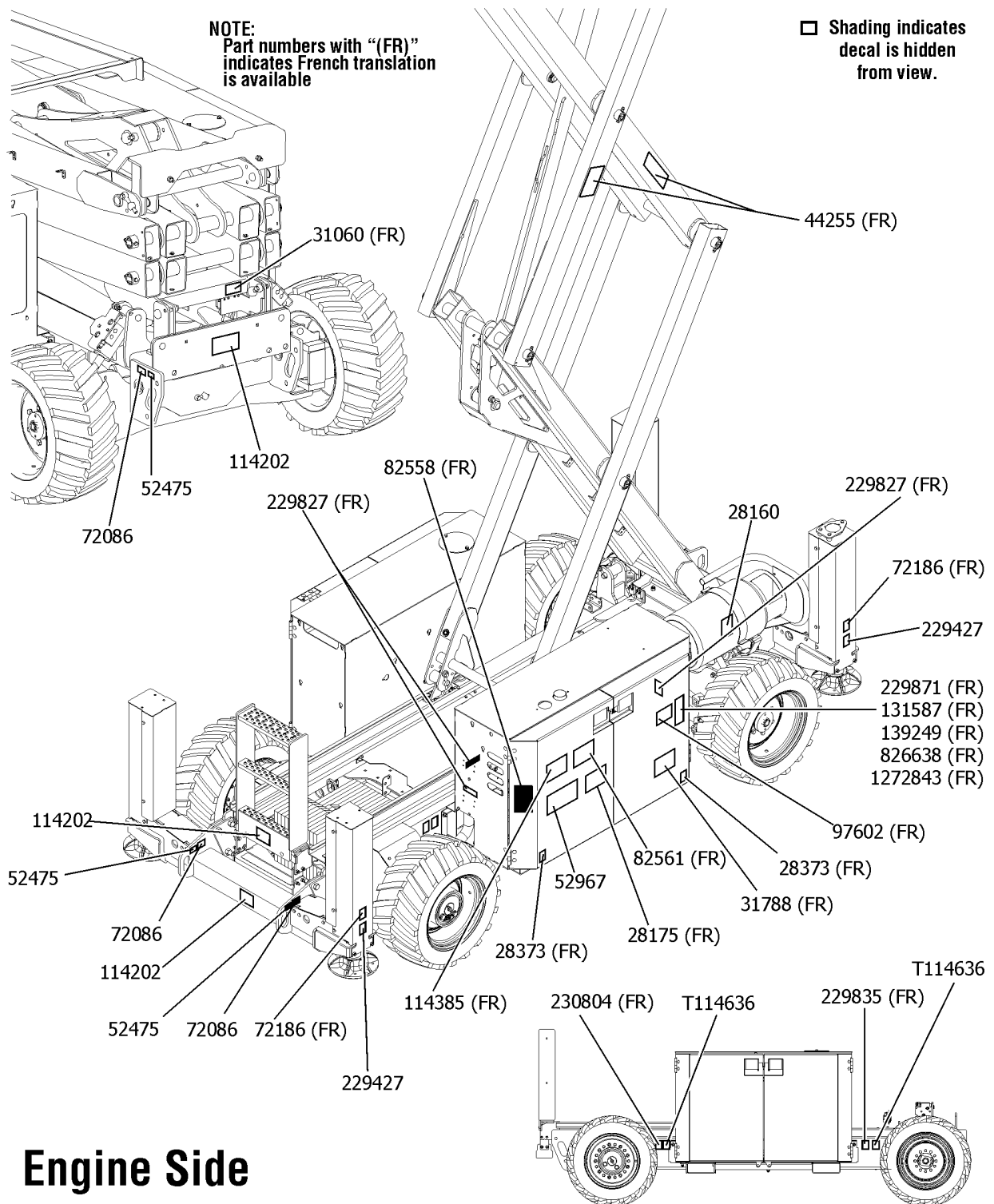
Platform, CE models

108.1 Decals with Symbols, GS-2669 Platform, CE (to SN GS69F-17999)

Item	Part No.	Description	Qty.
		Ref. Symbol Decal Kits (refer to 105.1)	
1	28174GT	DECAL,POWER TO PLATFORM 230V	1
2	28235GT	DECAL,POWER TO PLATFORM 115V	1
3	40434GT	DECAL,LANYARD ANCHORAGE POINT	6
4	43618GT	DECAL,LABEL-DIRECTION ARROWS	1
5	44981GT	DECAL,LABEL,AIRLINE 110 PSI	1
6	82487GT	DECAL, SYMBOL - READ THE MANUAL	1
7	114338GT	DECAL SYMBOL TIP OVER TILT ALARM	1
8	114371GT	DECAL,DANGER,OUTRIGGER SAFETY	1
9	133537GT	DECAL,CRUSH HAZ RAILS SYMB	1
10	228327GT	DECAL,COSMETIC,GENIE GS-2669RT	2
11A	230489GT	DECAL,NOTICE,MAX CAP GS2669 (to SN 11474) (CE models only)	1
11B	1277998GT	DECAL,DANGER,MAX CAP/MAN FRC 2669 CE (from SN 11475)	1
12	230808GT	DECAL,PLAT CONTROL PANEL GS69	1
13	230805GT	DECAL,DANGER,MAN FRC, GS2669 (CE models only)	1



109.1 Decals with Words, GS-3369, Engine Side (to SN GS69F-17999)



109.1 Decals with Words, GS-3369, Engine Side (to SN GS69F-17999)

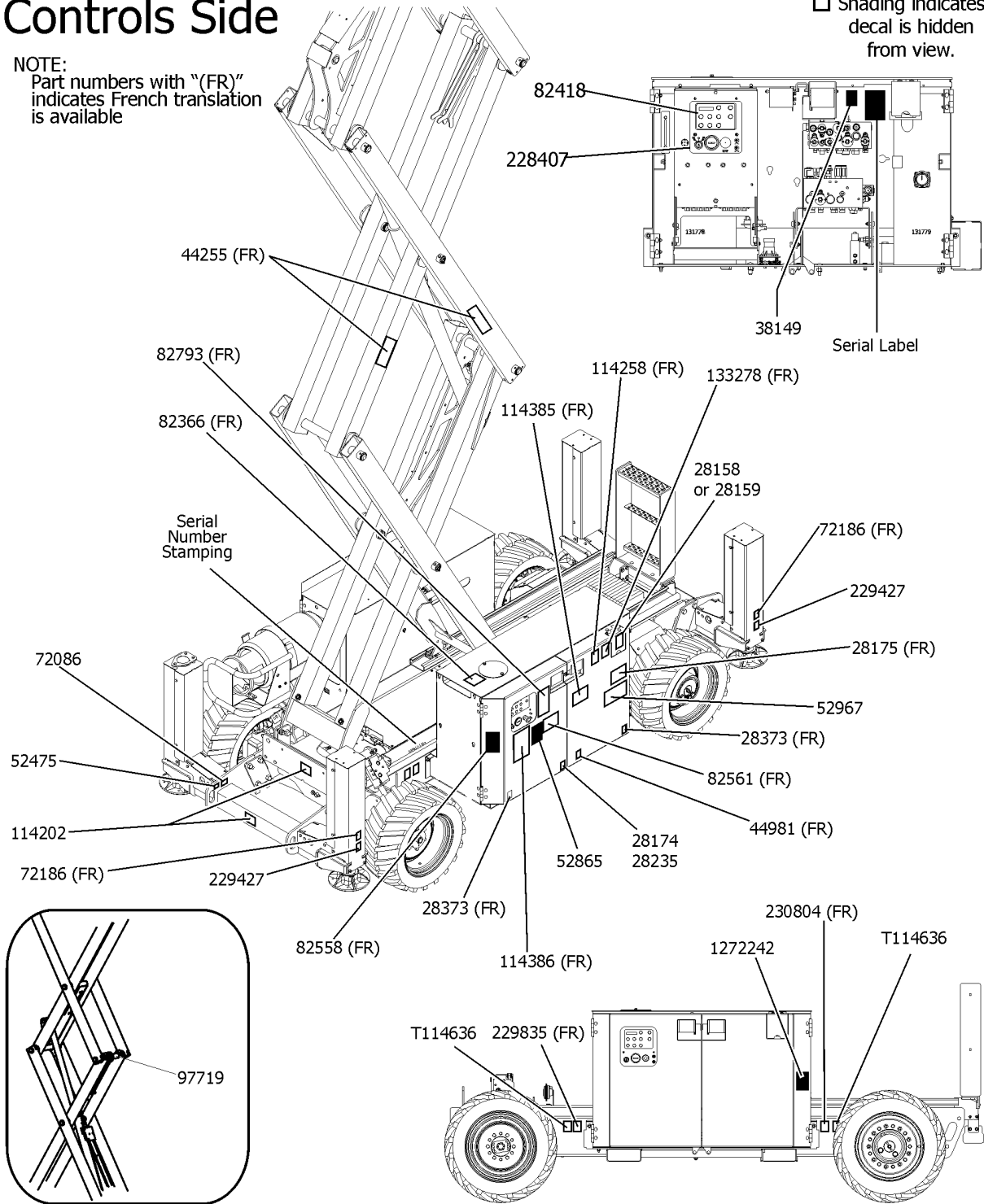
Item	Part No.	Description	Qty.
-	233042GT	DECAL KIT, 3369 COMP,WRD,ANSI (Decal kit, complete for ANSI models only)	
-	233045GT	DECAL KIT, 3369 COMP,WRD,AUS (Decal kit, complete for AUS models only)	
-	233048GT	DECAL KIT, 3369 PLAT,WRD,ANSI (Decal kit, platform for ANSI models only)	
-	233801GT	DECAL KIT, 3369 PLAT,WRD,AUS (Decal kit, platform for AUS models only)	
1	28160GT	DECAL,LABEL,LIQUID PROPANE	1
2	28175GT	DECAL,WARNING-COMPART ACCESS	1
3	28373GT	DECAL,FORK LIFT POCKET	2
4	31060GT	DECAL,DANGER DO NOT ALTER SWTC	1
5	31788GT	DECAL,DANGER,BATTERY SAFETY***	1
6	44255GT	DECAL,DANGER,CRUSHING HAZARD	2
7	52475GT	DECAL,LABEL,TRANSPORT TIEDOWN*	2
8	52967GT	DECAL,COSMETIC,4 X 4	1
9	72086GT	DECAL,LABEL,LIFTING EYE	2
10	72186GT	DECAL,WARNING,CRUSHING HAZARD	2
11	82558GT	DECAL,WARN,SKIN INJECTION HAZ*	1
12	82561GT	DECAL,DANGER-USE SAFETY ARM	1
13	97602GT	DECAL,EXPLOSION HAZARD	1
14	114202GT	DECAL,LABEL,TRANSPORT TIE 68	1
15	114385GT	DECAL,DANGER,ELEC HAZARD,GS	1
16	131587GT	DECAL,NOTICE,KUB,D1105,T4 (option)	1
17	139249GT	DECAL,NOTICE,PERKINS 403D SPEC (option)	1
18	229427GT	DECAL,LABEL,OUTRIGGER LD	2
19	229827GT	DECAL,WARNING,HOT SURFACE	3
20	229835GT	DECAL,NOTICE,TIRE SPECS (steer end)	1
21	229871GT	DECAL,NOTICE,KUBOTA GAS SPECS (option)	1
22	230804GT	DECAL,NOTICE,TIRE SPECS, REAR (non-steer end)	1
23	1272843GT	DECAL,NOTICE,GM .998L SPEC (option)	1
24	T114636GT	DECAL,LABEL,WHEEL LD,GS3369RT	2



Controls Side

NOTE:
Part numbers with "(FR)" indicates French translation is available

☐ Shading indicates decal is hidden from view.



110.1 Decals with Words, GS-3369, Controls Side (to SN GS69F-17999)

Item	Part No.	Description	Qty.
		Ref. Word Decal Kits (refer to 109.1)	
1	28158GT	DECAL,LABEL,UNLEADED GAS ONLY	1
2	28159GT	DECAL,DIESEL	1
3	28174GT	DECAL,POWER TO PLATFORM 230V	1
4	28175GT	DECAL,WARNING-COMPART ACCESS	1
5	28235GT	DECAL,POWER TO PLATFORM 115V	1
6	28373GT	DECAL,FORK LIFT POCKET	2
7	38149GT	DECAL,LABEL,PATENTS (US models only)	1
8	44255GT	DECAL,DANGER,CRUSHING HAZARD	2
9	44981GT	DECAL,LABEL,AIRLINE 110 PSI	1
10	52475GT	DECAL,LABEL,TRANSPORT TIEDOWN*	2
11	52865GT	DECAL,ANNUAL INSP***	1
12	52967GT	DECAL,COSMETIC,4 X 4	1
13	72086GT	DECAL,LABEL,LIFTING EYE	2
14	72186GT	DECAL,WARNING,CRUSHING HAZARD	2
15	82366GT	DECAL,CHEVRON RANDO HD	1
16	82418GT	DECAL,GROUND CONTROL PANEL	1
17	82558GT	DECAL,WARN,SKIN INJECTION HAZ*	1
18	82561GT	DECAL,DANGER-USE SAFETY ARM	1
19	82793GT	DECAL,NOTICE,OP INST,GROUND	1
20	97719GT	DECAL, LABEL, SAFETY ARM SYMBOL	1
21	114202GT	DECAL,LABEL,TRANSPORT TIE 68	1
22	114258GT	DECAL,DANGER,NO SMOKING	1
23	114385GT	DECAL,DANGER,ELEC HAZARD,GS	1
24	114386GT	DECAL,DANGER-GEN SAFETY	1
25	133278GT	DECAL,LOW/ULTRA LOW SULFR FUEL (diesel models only)	1
26	228407GT	DECAL,GROUND CONTROL PANEL	1
27	229427GT	DECAL,LABEL,OUTRIGGER LD	2

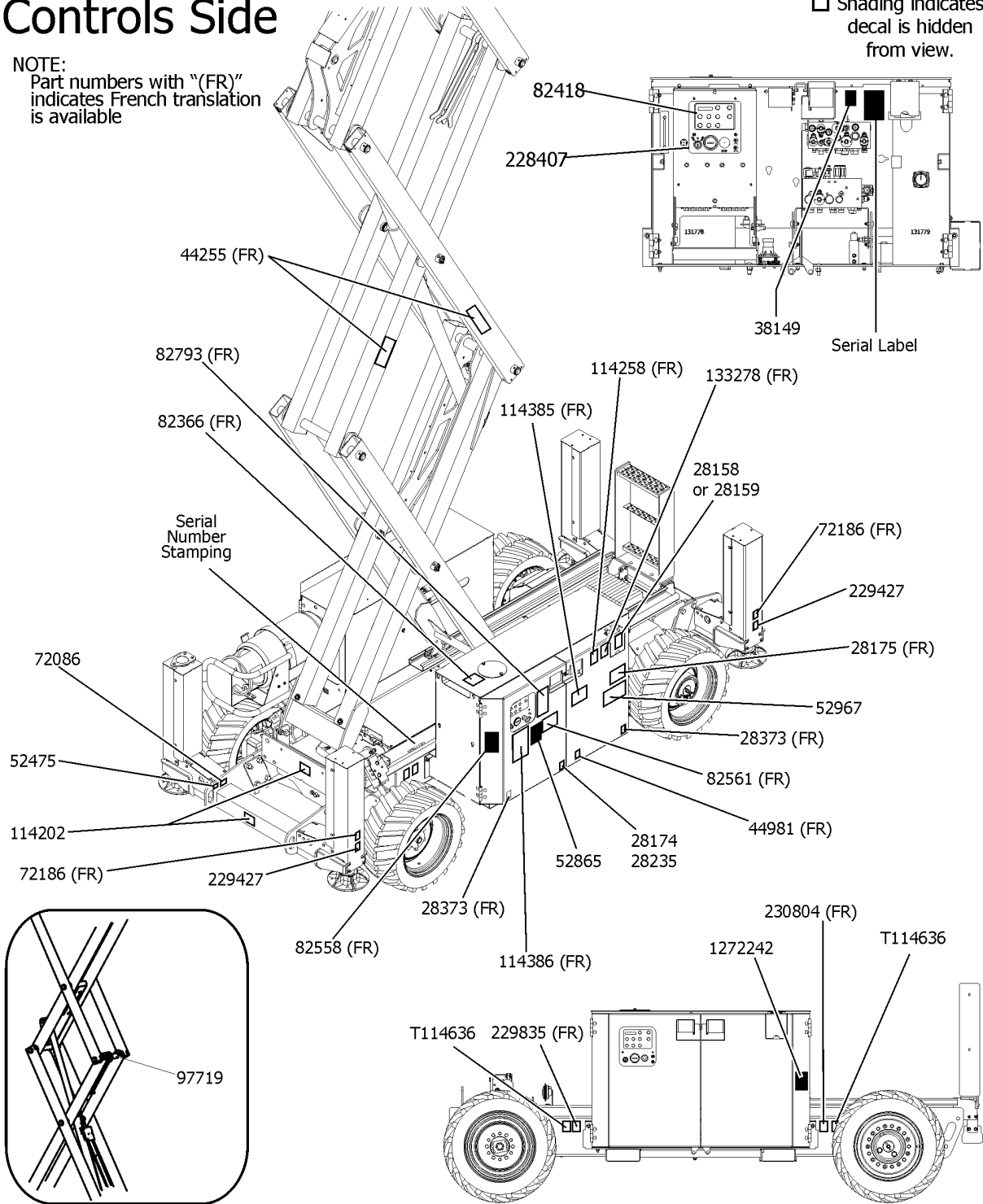


110.1 Decals with Words, GS-3369, Controls Side (to SN GS69F-17999)

Controls Side

NOTE:
Part numbers with "(FR)"
indicates French translation
is available

☐ Shading indicates
decal is hidden
from view.



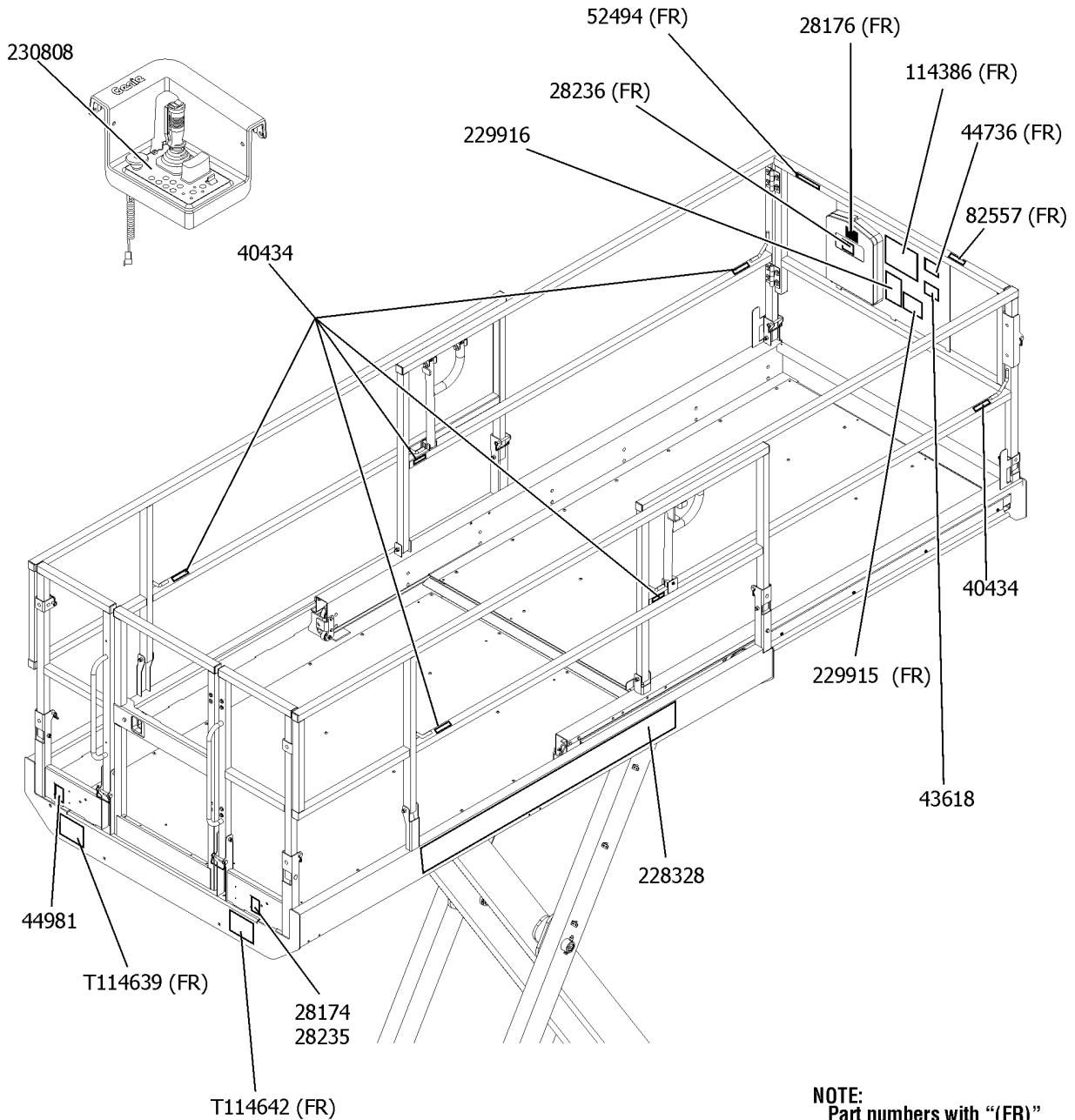
110.1 Decals with Words, GS-3369, Controls Side (to SN GS69F-17999)

<i>Item</i>	<i>Part No.</i>	<i>Description</i>	<i>Qty.</i>
28	229835GT	DECAL,NOTICE,TIRE SPECS (steer end)	1
29	230804GT	DECAL,NOTICE,TIRE SPECS, REAR (non-steer end)	1
30	T114636GT	DECAL,LABEL,WHEEL LD,GS3369RT	2
31	1272242GT	DECAL,MACHINE REGISTRATION/OWNER TRANSFER	1



Platform, ANSI/CSA models

☐ Shading indicates decal is hidden from view.



NOTE:
Part numbers with "(FR)" indicates French translation is available



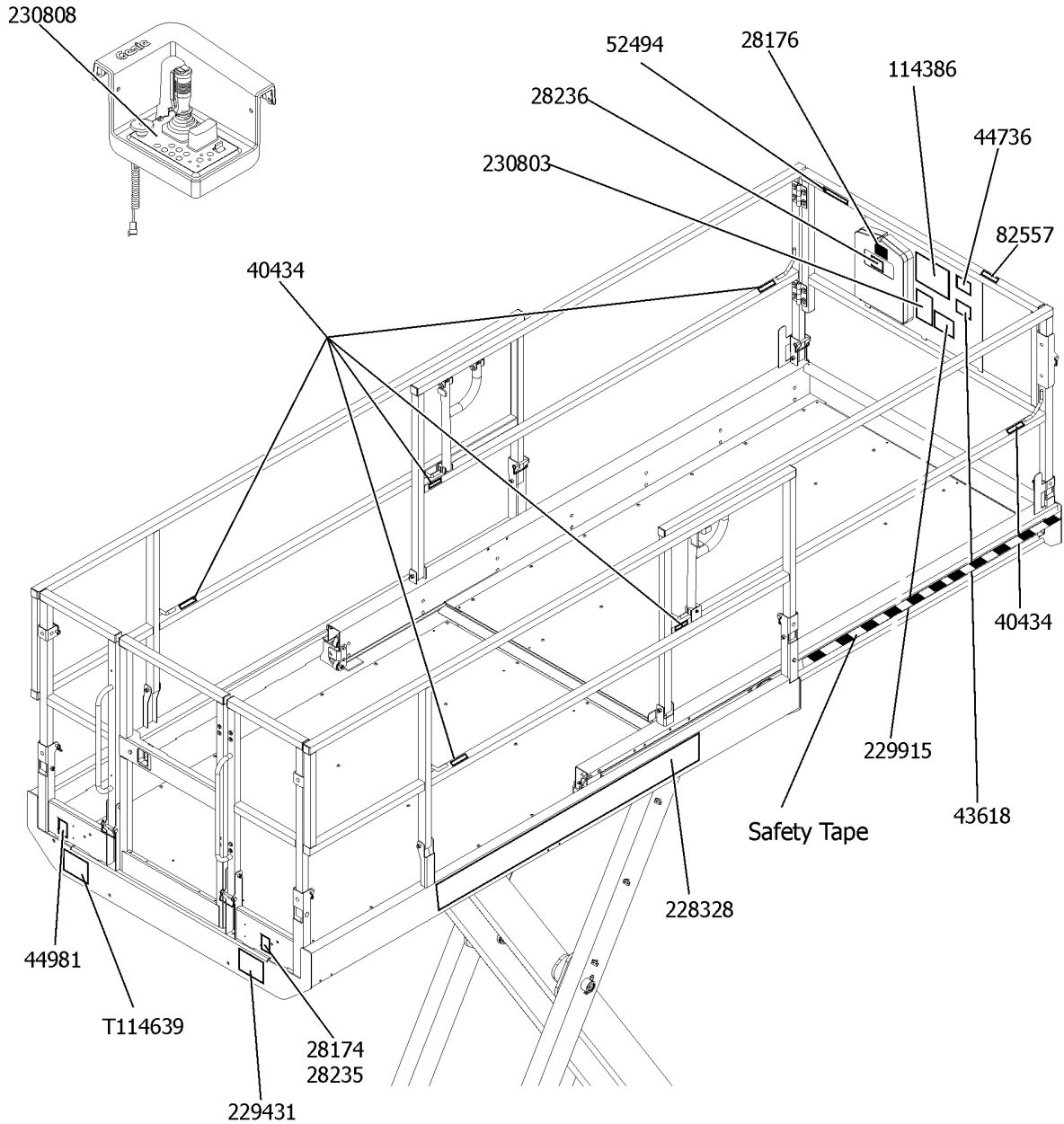
111.1 Decals with Words, GS-3369 Platform, ANSI & CSA (to SN GS69F-17999)

Item	Part No.	Description	Qty.
		Ref. Word Decal Kits (refer to 109.1)	
1	28174GT	DECAL,POWER TO PLATFORM 230V	1
2	28176GT	DECAL,LABEL,MANUAL NOT HERE	1
3	28235GT	DECAL,POWER TO PLATFORM 115V	1
4	28236GT	DECAL,WARN,IMPROPER OPERATION	1
5	40434GT	DECAL,LANYARD ANCHORAGE POINT	6
6	43618GT	DECAL,LABEL-DIRECTION ARROWS	1
7	44736GT	DECAL,DANGER,TIP-OVER,TILT	1
8	44981GT	DECAL,LABEL,AIRLINE 110 PSI	1
9	52494GT	DECAL,CAUTION,CRUSH HAZ, RAILS	1
10	82557GT	DECAL,LABEL,PLAT CONT LOCATION	1
11	114386GT	DECAL,DANGER-GEN SAFETY	1
12	228328GT	DECAL,COSMETIC,GENIE GS-3369RT	2
13	229915GT	DECAL,DANGER,OUTRIGGER SAFETY	1
14	229916GT	DECAL,NOTICE,INST,PLAT-GS69RT	1
15	230808GT	DECAL,PLAT CONTROL PANEL GS69	1
16	T114639GT	DECAL,NOTICE,MAX CAP,GS3369 (ANSI & CSA modes only)	1
17	T114642GT	DECAL,NOTICE,SIDE FRC,3369 ANS (ANSI & CSA modes only)	1



Platform, Australia models

☐ Shading indicates decal is hidden from view.

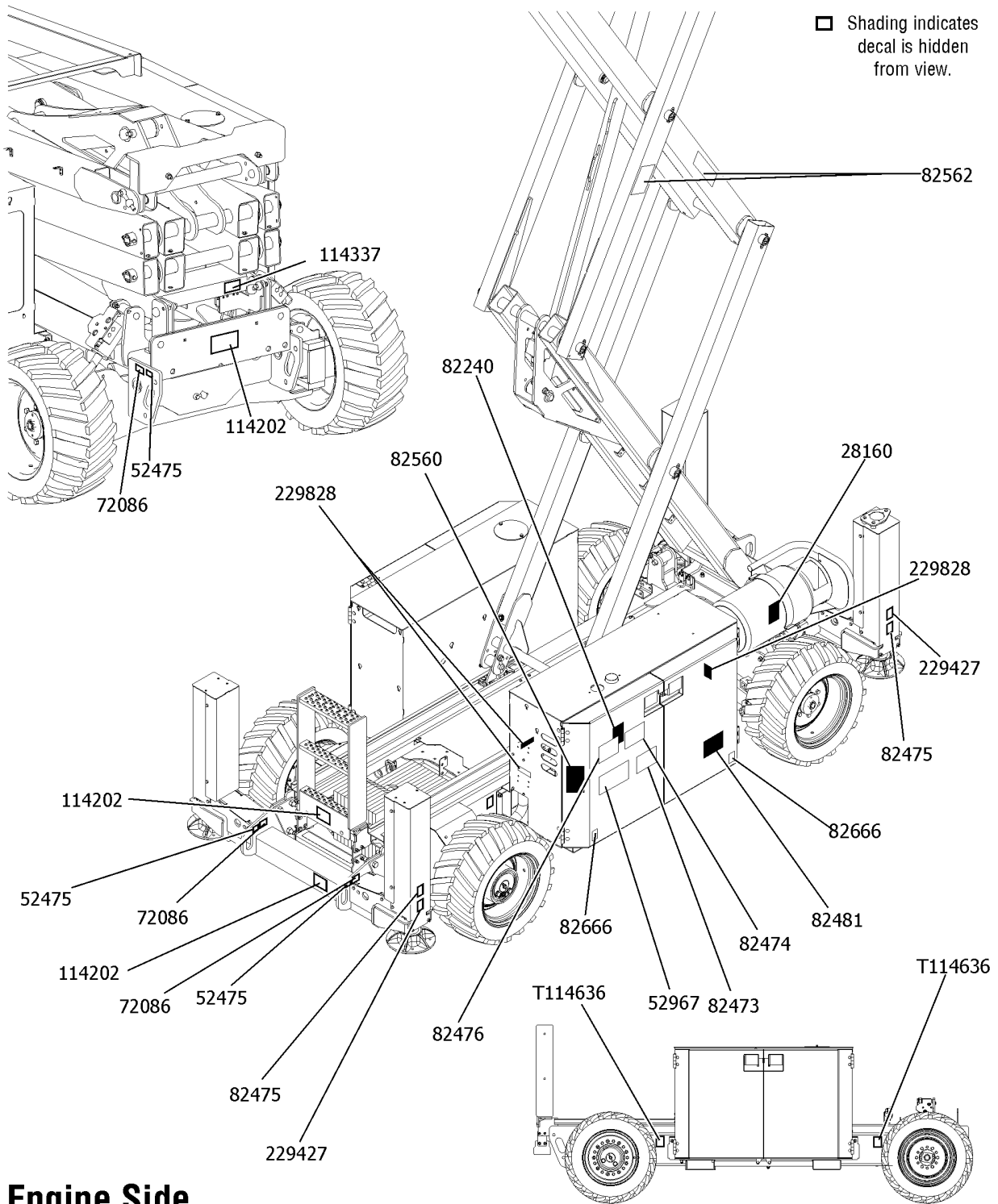


112.1 Decals with Words, GS-3369 Platform, Australia (to SN GS69F-17999)

Item	Part No.	Description	Qty.
		Ref. Word Decal Kits (refer to 109.1)	
1	28174GT	DECAL,POWER TO PLATFORM 230V	1
2	28176GT	DECAL,LABEL,MANUAL NOT HERE	1
3	28235GT	DECAL,POWER TO PLATFORM 115V	1
4	28236GT	DECAL,WARN,IMPROPER OPERATION	1
5	40434GT	DECAL,LANYARD ANCHORAGE POINT	6
6	43618GT	DECAL,LABEL-DIRECTION ARROWS	1
7	44736GT	DECAL,DANGER,TIP-OVER,TILT	1
8	44981GT	DECAL,LABEL,AIRLINE 110 PSI	1
9	52494GT	DECAL,CAUTION,CRUSH HAZ, RAILS	1
10	82557GT	DECAL,LABEL,PLAT CONT LOCATION	1
11	114386GT	DECAL,DANGER-GEN SAFETY	1
12	228328GT	DECAL,COSMETIC,GENIE GS-3369RT	2
13	229915GT	DECAL,DANGER,OUTRIGGER SAFETY	1
14	230803GT	DECAL,NOTICE,INST,PLAT-GS69RT	1
15	230808GT	DECAL,PLAT CONTROL PANEL GS69	1
16	230490GT	DECAL,NOTICE,MAX CAP GS3369	1
		(Australia models only)	
17	T114639GT	DECAL,NOTICE,MAX CAP,GS3369	1
		(Australia models only), to SN GS69F -17999	
18	229431GT	DECAL,NOTICE,MAN FRC,3369 AUS	1
		(Australia models only), to SN GS69F -17999	



113.1 Decals with Symbols, GS-3369, Engine Side (to SN GS69F-17999)



Engine Side



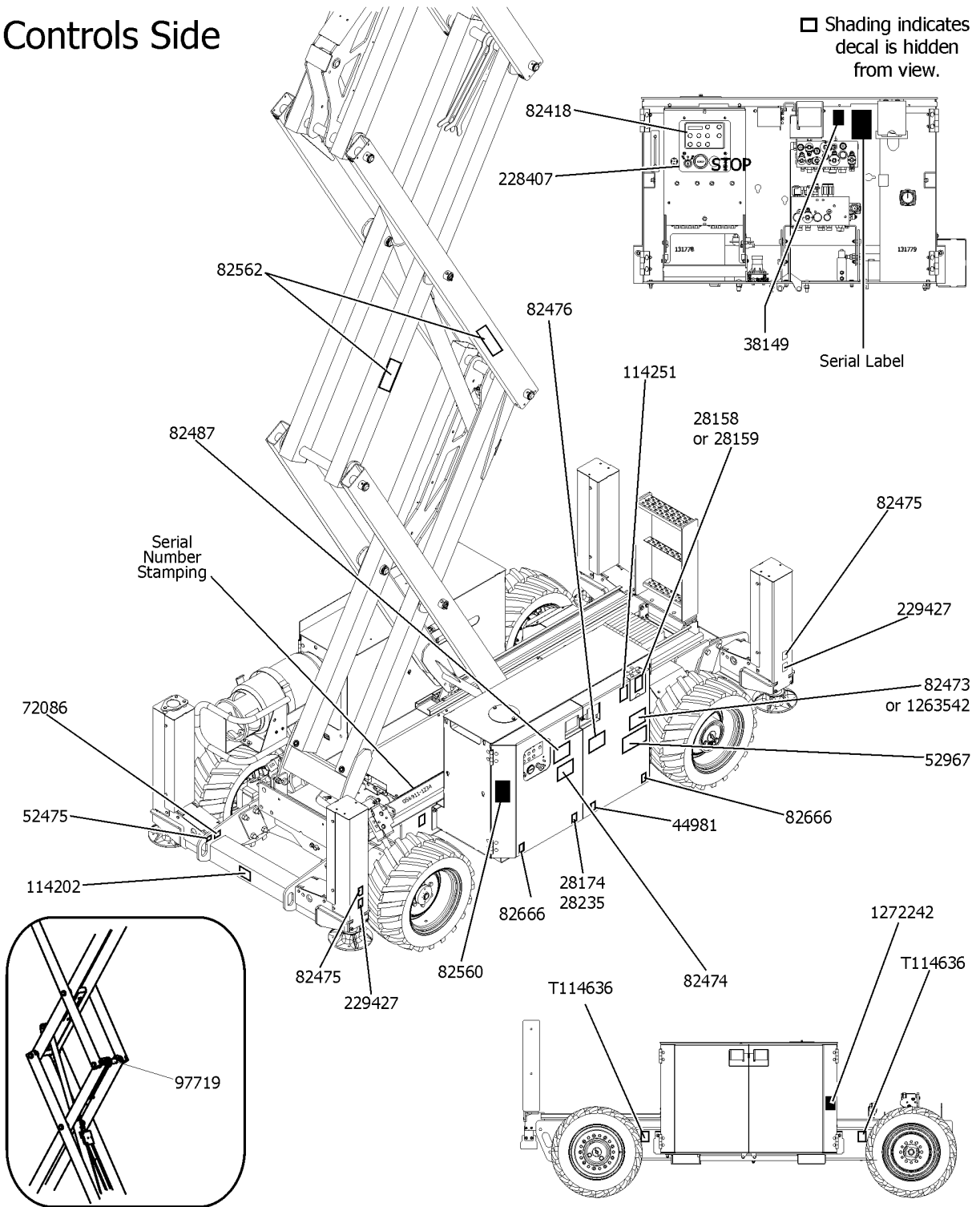
113.1 Decals with Symbols, GS-3369, Engine Side (to SN GS69F-17999)

Item	Part No.	Description	Qty.
	233954GT	DECAL KIT,3369 COMP,SYM,ANSI (Decal kit, complete for ANSI models only)	
	233957GT	DECAL KIT,3369 COMP,SYM,CE (Decal kit, complete for CE models only)	
	233960GT	DECAL KIT,3369 PLAT,SYM,ANSI (Decal kit, platform for Asia & South America models only)	
	233963GT	DECAL KIT,3369 PLAT,SYM,CE (Decal kit, platform for CE models only)	
1	28160GT	DECAL,LABEL,LIQUID PROPANE	1
2	52475GT	DECAL,LABEL,TRANSPORT TIEDOWN*	2
3	52967GT	DECAL,COSMETIC,4 X 4	1
4	72086GT	DECAL,LABEL,LIFTING EYE	2
5	82240GT	DECAL,LABEL,105 DB (CE models only)	1
6	82473GT	DECAL,SYMBOL-COMP ACCESS	1
7	82474GT	DECAL SYMBOL USE SAFETY ARM	1
8	82475GT	DECAL,WARNING,CRUSHING HAZARD	2
9	82476GT	DECAL,SYMBOL-ELEC HAZARD,GS	1
10	82481GT	DECAL,SYMBOL-BATTERY SAFETY	1
11	82560GT	DECAL SYMBOL SKIN INJECT HAZARD	1
12	82562GT	DECAL,SYMBOL-CRUSHING HAZARD	2
13	82666GT	DECAL,LABEL,FORKLIFT POCKET	2
14	114202GT	DECAL,LABEL,TRANSPORT TIE 68	1
15	114337GT	DECAL SYMBOL TIP OVER LIMIT SWITCH	1
16	229427GT	DECAL,LABEL,OUTRIGGER LD	2
17	229828GT	DECAL,LABEL,HOT,SYMBOL	3
18	T114636GT	DECAL,LABEL,WHEEL LD,GS3369RT	2



114.1 Decals with Symbols, GS-3369, Controls Side (to SN GS69F-17999)

Controls Side



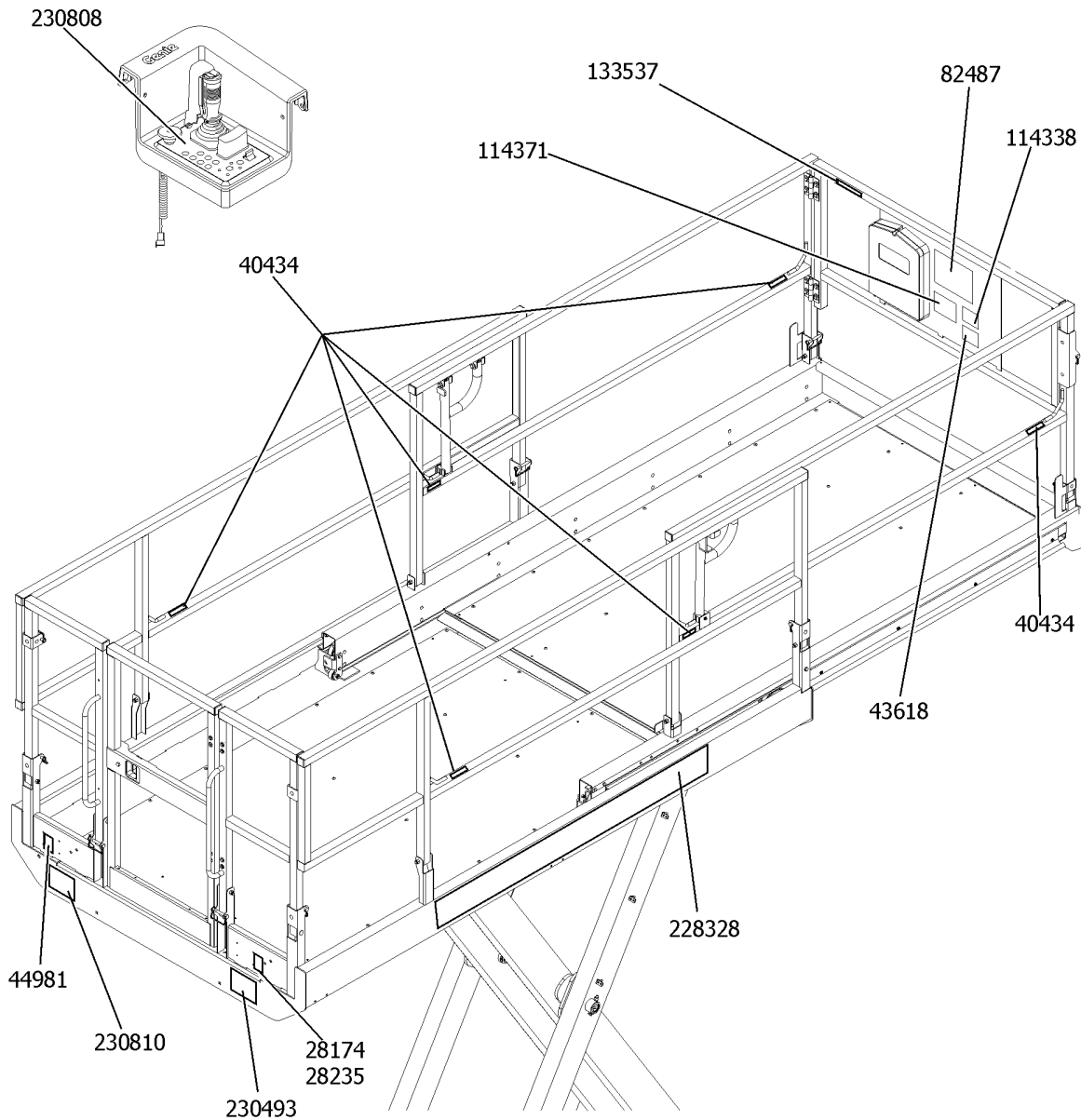
114.1 Decals with Symbols, GS-3369, Controls Side (to SN GS69F-17999)

Item	Part No.	Description	Qty.
		Ref. Symbol Decal Kits (refer to 113.1)	
1	28158GT	DECAL,LABEL,UNLEADED GAS ONLY	1
2	28159GT	DECAL,DIESEL	1
3	28174GT	DECAL,POWER TO PLATFORM 230V	1
4	28235GT	DECAL,POWER TO PLATFORM 115V	1
5	38149GT	DECAL,LABEL,PATENTS (US models only)	1
6	44981GT	DECAL,LABEL,AIRLINE 110 PSI	1
7	52475GT	DECAL,LABEL,TRANSPORT TIEDOWN*	2
8	52967GT	DECAL,COSMETIC,4 X 4	1
9	72086GT	DECAL,LABEL,LIFTING EYE	2
10	82418GT	DECAL,GROUND CONTROL PANEL	1
11A	82473GT	DECAL,SYMBOL-COMP ACCESS (to SN 11474)	1
11B	1263542GT	DECAL,IMPROPER OPERATION,SYMBOL (from SN 11475)	1
12	82474GT	DECAL SYMBOL USE SAFETY ARM	1
13	82475GT	DECAL,WARNING,CRUSHING HAZARD	2
14	82476GT	DECAL,SYMBOL-ELEC HAZARD,GS	1
15	82487GT	DECAL, SYMBOL - READ THE MANUAL	1
16	82560GT	DECAL SYMBOL SKIN INJECT HAZARD	1
17	82562GT	DECAL,SYMBOL-CRUSHING HAZARD	2
18	82666GT	DECAL,LABEL,FORKLIFT POCKET	2
19	97719GT	DECAL, LABEL, SAFETY ARM SYMBOL	1
20	114202GT	DECAL,LABEL,TRANSPORT TIE 68	1
21	114251GT	DECAL,LABEL,NO SMOKING,SYMB	1
22	228407GT	DECAL,GROUND CONTROL PANEL	1
23	229427GT	DECAL,LABEL,OUTRIGGER LD	2
24	T114636GT	DECAL,LABEL,WHEEL LD,GS3369RT	2
25	1272242GT	DECAL,MACHINE REGISTRATION/OWNER TRANSFER	1



Platform, ANSI models

☐ Shading indicates decal is hidden from view.



115.1 Decals with Symbols, GS-3369 Platform, Asia & South America (to SN GS69F-17999)

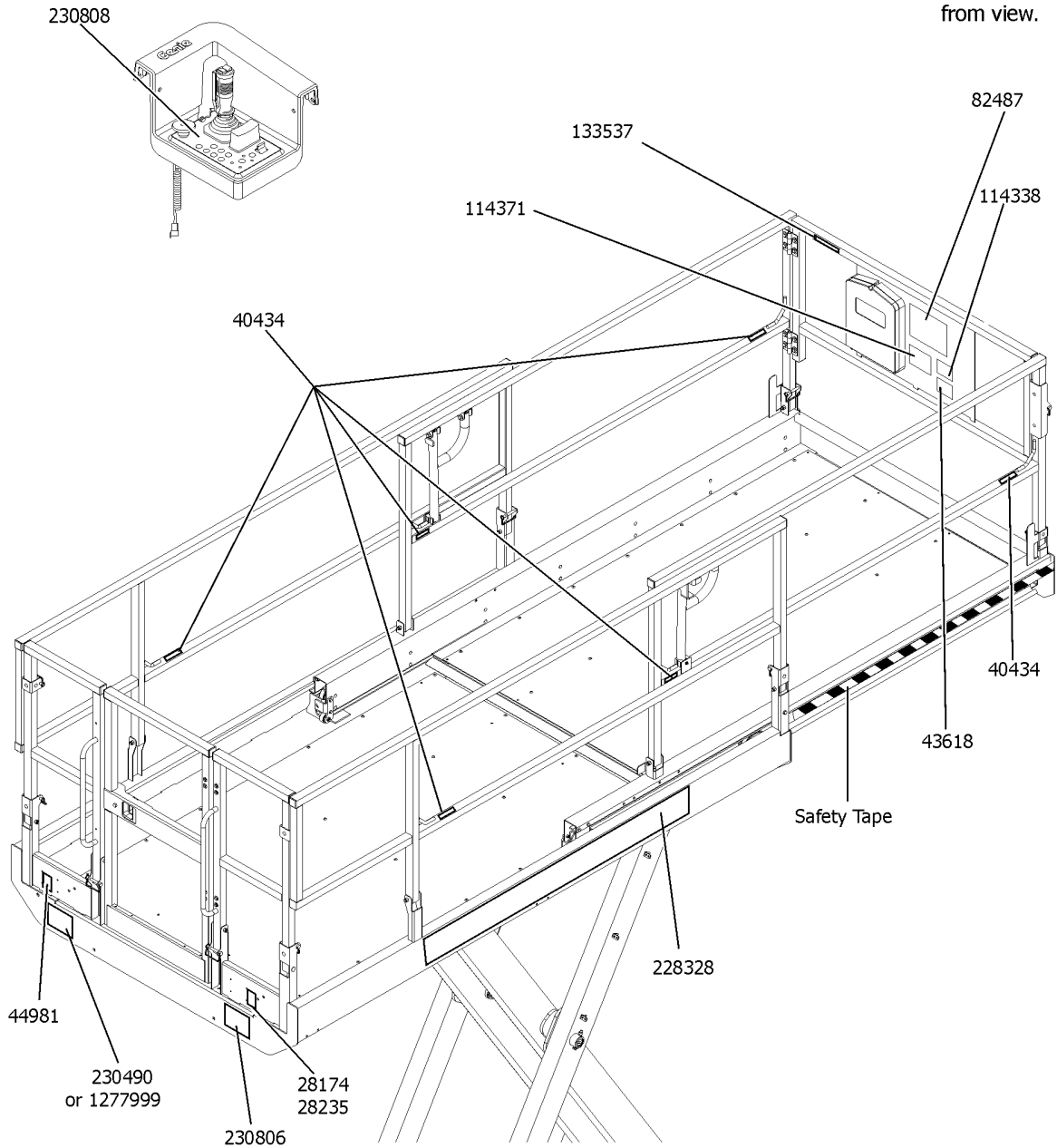
Item	Part No.	Description	Qty.
		Ref. Symbol Decal Kits (refer to 113.1)	
1	28174GT	DECAL,POWER TO PLATFORM 230V	1
2	28235GT	DECAL,POWER TO PLATFORM 115V	1
3	40434GT	DECAL,LANYARD ANCHORAGE POINT	6
4	43618GT	DECAL,LABEL-DIRECTION ARROWS	1
5	44981GT	DECAL,LABEL,AIRLINE 110 PSI	1
6	82487GT	DECAL, SYMBOL - READ THE MANUAL	1
7	114338GT	DECAL SYMBOL TIP OVER TILT ALARM	1
8	114371GT	DECAL,DANGER,OUTRIGGER SAFETY	1
9	133537GT	DECAL,CRUSH HAZ RAILS SYMB	1
10	228328GT	DECAL,COSMETIC,GENIE GS-3369RT	2
11	230493GT	DECAL,DANGER,SIDE FRC,GS3369	2
		(Asia & S. America models only)	
12	230808GT	DECAL,PLAT CONTROL PANEL GS69	1
13	230810GT	DECAL,NOTICE,MAX CAP GS3369	1
		(Asia & S. America models only)	



116.1 Decals with Symbols, GS-3369 Platform, CE (to SN GS69F-17999)

Platform, CE models

☐ Shading indicates decal is hidden from view.

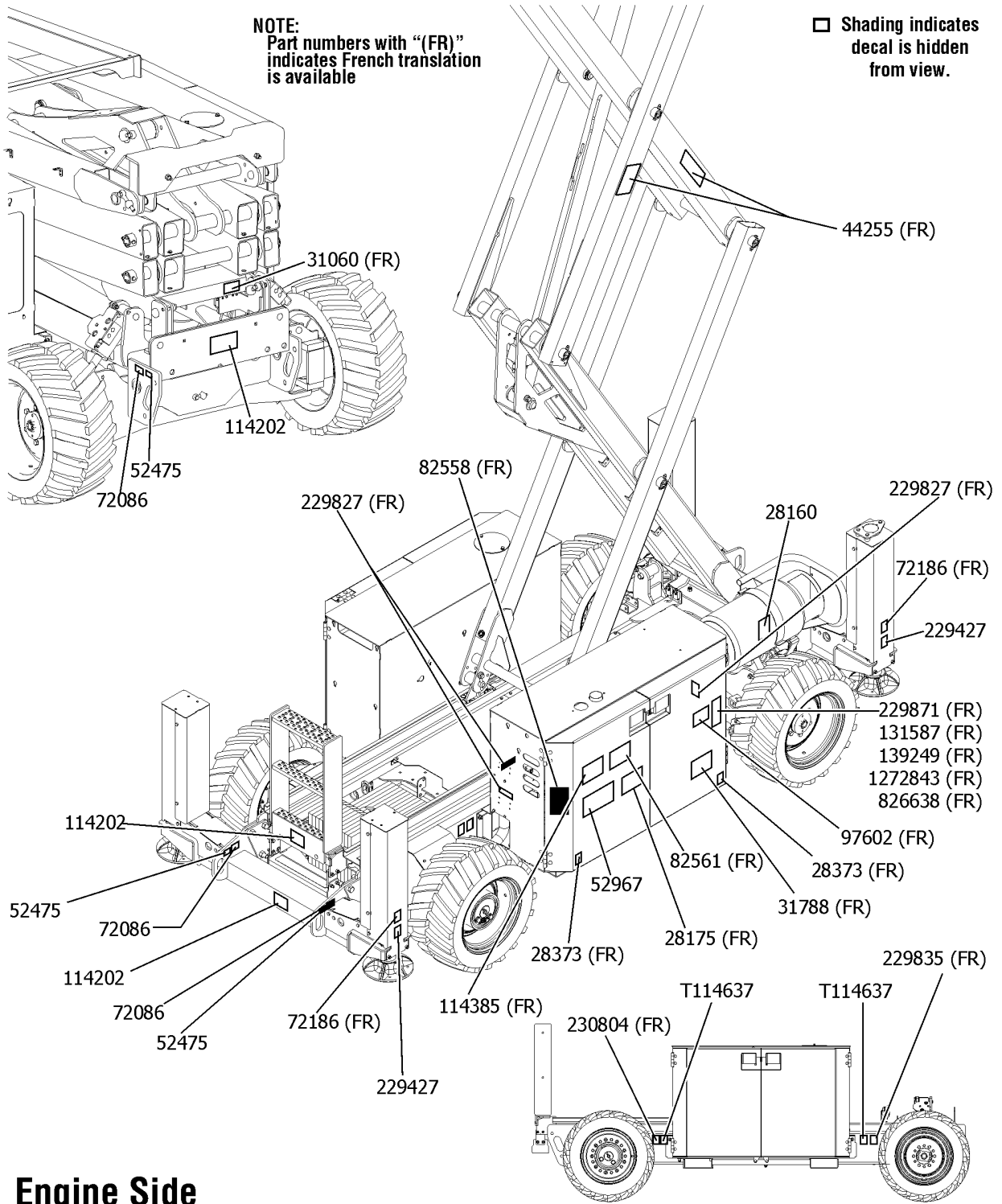


116.1 Decals with Symbols, GS-3369 Platform, CE (to SN GS69F-17999)

Item	Part No.	Description	Qty.
		Ref. Symbol Decal Kits (refer to 113.1)	
1	28174GT	DECAL,POWER TO PLATFORM 230V	1
2	28235GT	DECAL,POWER TO PLATFORM 115V	1
3	40434GT	DECAL,LANYARD ANCHORAGE POINT	6
4	43618GT	DECAL,LABEL-DIRECTION ARROWS	1
5	44981GT	DECAL,LABEL,AIRLINE 110 PSI	1
6	82487GT	DECAL, SYMBOL - READ THE MANUAL	1
7	114338GT	DECAL SYMBOL TIP OVER TILT ALARM	1
8	114371GT	DECAL,DANGER,OUTRIGGER SAFETY	1
9	133537GT	DECAL,CRUSH HAZ RAILS SYMB	1
10	228328GT	DECAL,COSMETIC,GENIE GS-3369RT	2
11A	230490GT	DECAL,NOTICE,MAX CAP GS3369 (to SN 11474)(CE models only)	1
11B	1277999GT	DECAL,DANGER,MAX CAP/MAN FRC 3369 CE (from SN 11475)	1
12	230808GT	DECAL,PLAT CONTROL PANEL GS69	1
13	230806GT	DECAL,DANGER,MAN FRC, GS3369 (CE models only)	1



117.1 Decals with Words, GS-4069, Engine Side (to SN GS69F-17999)



117.1 Decals with Words, GS-4069, Engine Side (to SN GS69F-17999)

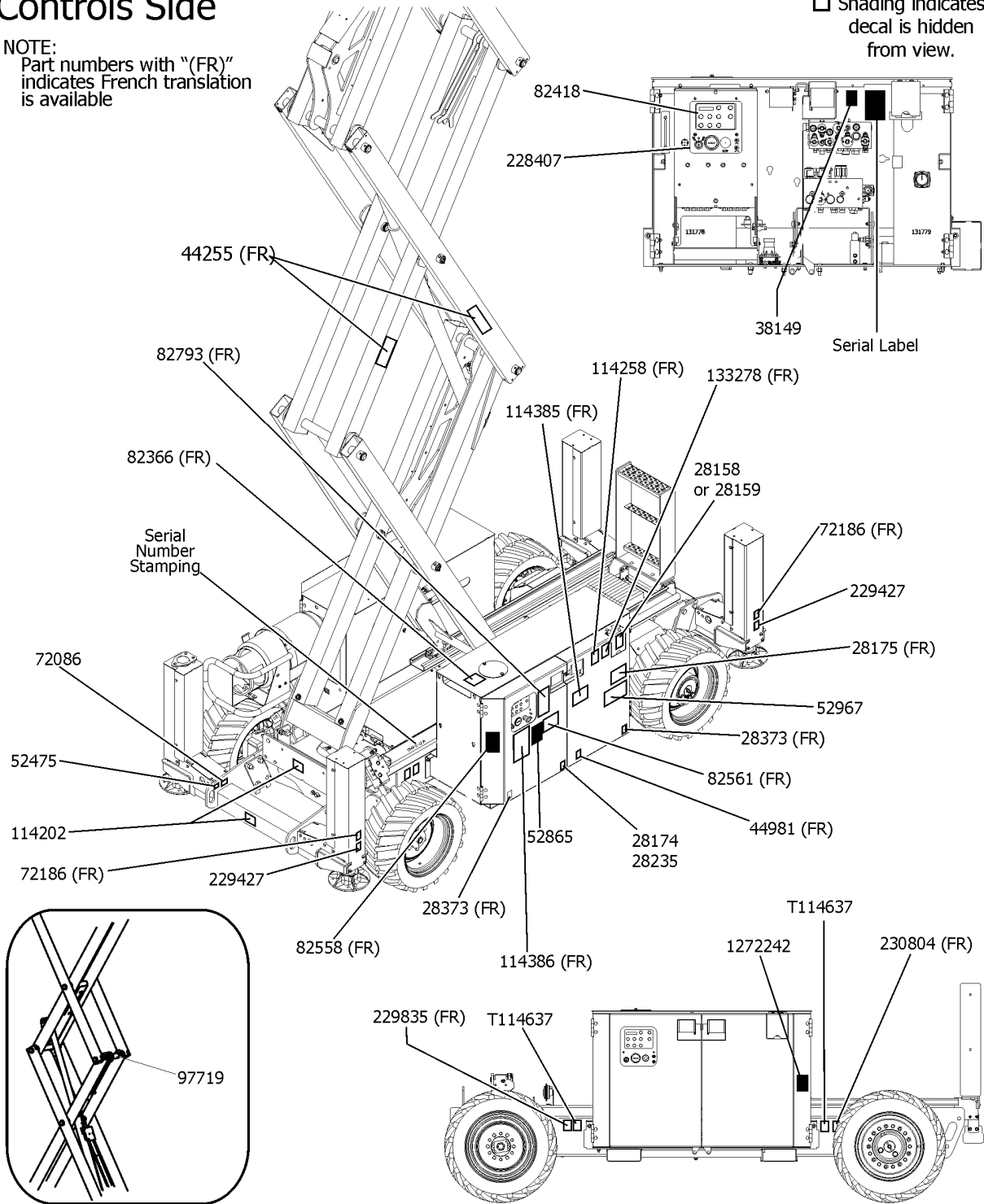
Item	Part No.	Description	Qty.
-	233043GT	DECAL KIT, 4069 COMP,WRD,ANSI (Decal kit, complete for ANSI models only)	
-	233046GT	DECAL KIT, 4069 COMP,WRD,AUS (Decal kit, complete for AUS models only)	
-	233799GT	DECAL KIT, 4069 PLAT,WRD,ANSI (Decal kit, platform for ANSI models only)	
-	233802GT	DECAL KIT, 4069 PLAT,WRD,AUS (Decal kit, platform for AUS models only)	
1	28160GT	DECAL,LABEL,LIQUID PROPANE	1
2	28175GT	DECAL,WARNING-COMPART ACCESS	1
3	28373GT	DECAL,FORK LIFT POCKET	2
4	31060GT	DECAL,DANGER DO NOT ALTER SWTC	1
5	31788GT	DECAL,DANGER,BATTERY SAFETY***	1
6	44255GT	DECAL,DANGER,CRUSHING HAZARD	2
7	52475GT	DECAL,LABEL,TRANSPORT TIEDOWN*	2
8	52967GT	DECAL,COSMETIC,4 X 4	1
9	72086GT	DECAL,LABEL,LIFTING EYE	2
10	72186GT	DECAL,WARNING,CRUSHING HAZARD	2
11	82558GT	DECAL,WARN,SKIN INJECTION HAZ*	1
12	82561GT	DECAL,DANGER-USE SAFETY ARM	1
13	97602GT	DECAL,EXPLOSION HAZARD	1
14	114202GT	DECAL,LABEL,TRANSPORT TIE 68	1
15	114385GT	DECAL,DANGER,ELEC HAZARD,GS	1
16	131587GT	DECAL,NOTICE,KUB,D1105,T4 (option)	1
17	139249GT	DECAL,NOTICE,PERKINS 403D SPEC (option)	1
18	229427GT	DECAL,LABEL,OUTRIGGER LD	2
19	229827GT	DECAL,WARNING,HOT SURFACE	3
20	229835GT	DECAL,NOTICE,TIRE SPECS (steer end)	1
21	229871GT	DECAL,NOTICE,KUBOTA GAS SPECS (option)	1
22	230804GT	DECAL,NOTICE,TIRE SPECS, REAR (non-steer end)	1
23	1272843GT	DECAL,NOTICE,GM .998L SPEC (option)	1
24	T114637GT	DECAL,LABEL,WHEEL LD,GS4069RT	2



Controls Side

NOTE:
Part numbers with "(FR)" indicates French translation is available

☐ Shading indicates decal is hidden from view.



118.1 Decals with Words, GS-4069, Controls Side (to SN GS69F-17999)

Item	Part No.	Description	Qty.
		Ref. Word Decal Kits (refer to 117.1)	
1	28158GT	DECAL,LABEL,UNLEADED GAS ONLY	1
2	28159GT	DECAL,DIESEL	1
3	28174GT	DECAL,POWER TO PLATFORM 230V	1
4	28175GT	DECAL,WARNING-COMPART ACCESS	1
5	28235GT	DECAL,POWER TO PLATFORM 115V	1
6	28373GT	DECAL,FORK LIFT POCKET	2
7	38149GT	DECAL,LABEL,PATENTS (US models only)	1
8	44255GT	DECAL,DANGER,CRUSHING HAZARD	2
9	44981GT	DECAL,LABEL,AIRLINE 110 PSI	1
10	52475GT	DECAL,LABEL,TRANSPORT TIEDOWN*	2
11	52865GT	DECAL,ANNUAL INSP***	1
12	52967GT	DECAL,COSMETIC,4 X 4	1
13	72086GT	DECAL,LABEL,LIFTING EYE	2
14	72186GT	DECAL,WARNING,CRUSHING HAZARD	2
15	82366GT	DECAL,CHEVRON RANDO HD	1
16	82418GT	DECAL,GROUND CONTROL PANEL	1
17	82558GT	DECAL,WARN,SKIN INJECTION HAZ*	1
18	82561GT	DECAL,DANGER-USE SAFETY ARM	1
19	82793GT	DECAL,NOTICE,OP INST,GROUND	1
20	97719GT	DECAL, LABEL, SAFETY ARM SYMBOL	1
21	114202GT	DECAL,LABEL,TRANSPORT TIE 68	1
22	114258GT	DECAL,DANGER,NO SMOKING	1
23	114385GT	DECAL,DANGER,ELEC HAZARD,GS	1
24	114386GT	DECAL,DANGER-GEN SAFETY	1
25	133278GT	DECAL,LOW/ULTRA LOW SULFR FUEL (diesel models only)	1
26	228407GT	DECAL,GROUND CONTROL PANEL	1
27	229427GT	DECAL,LABEL,OUTRIGGER LD	2

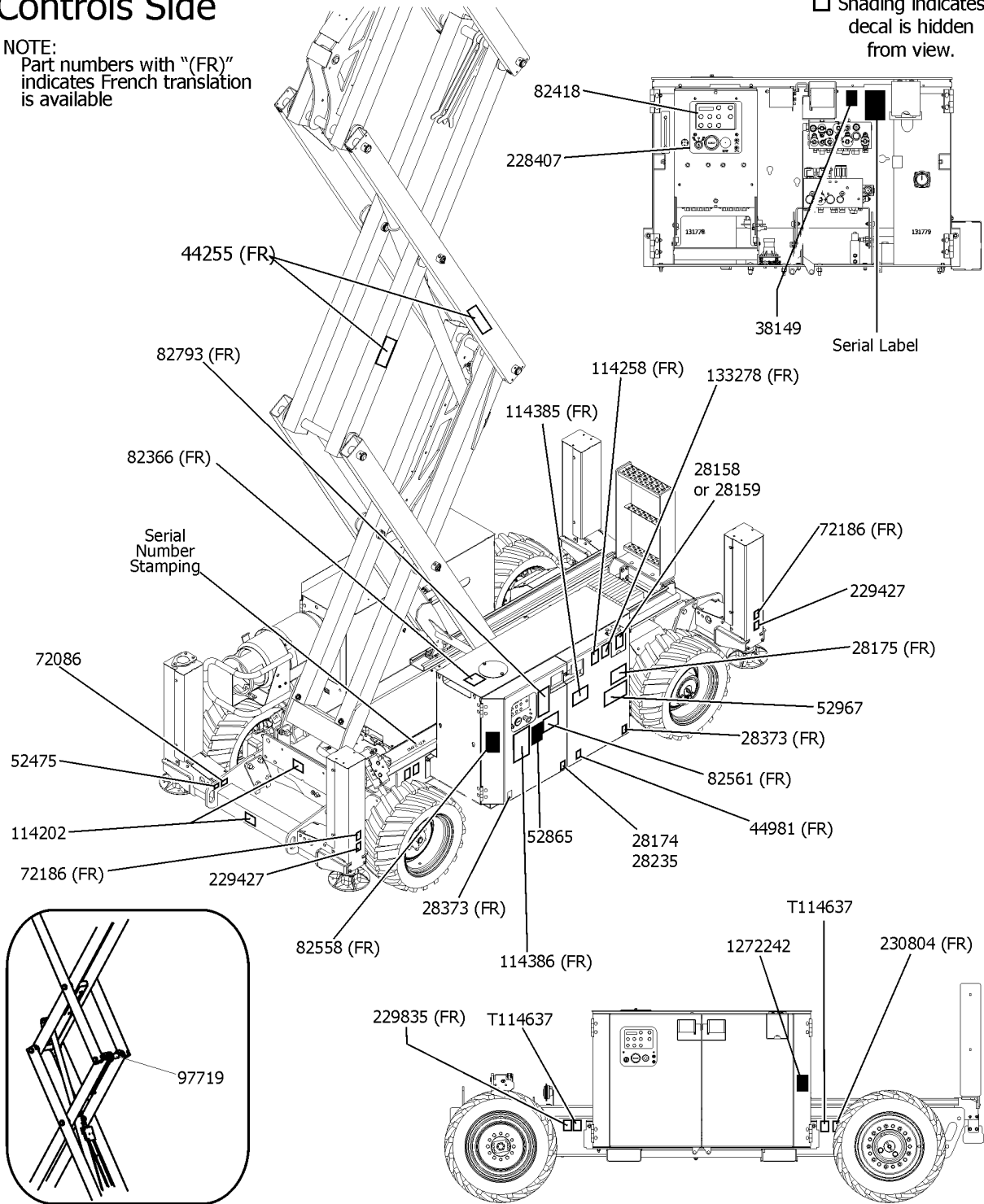


118.1 Decals with Words, GS-4069, Controls Side (to SN GS69F-17999)

Controls Side

NOTE:
Part numbers with "(FR)" indicates French translation is available

☐ Shading indicates decal is hidden from view.



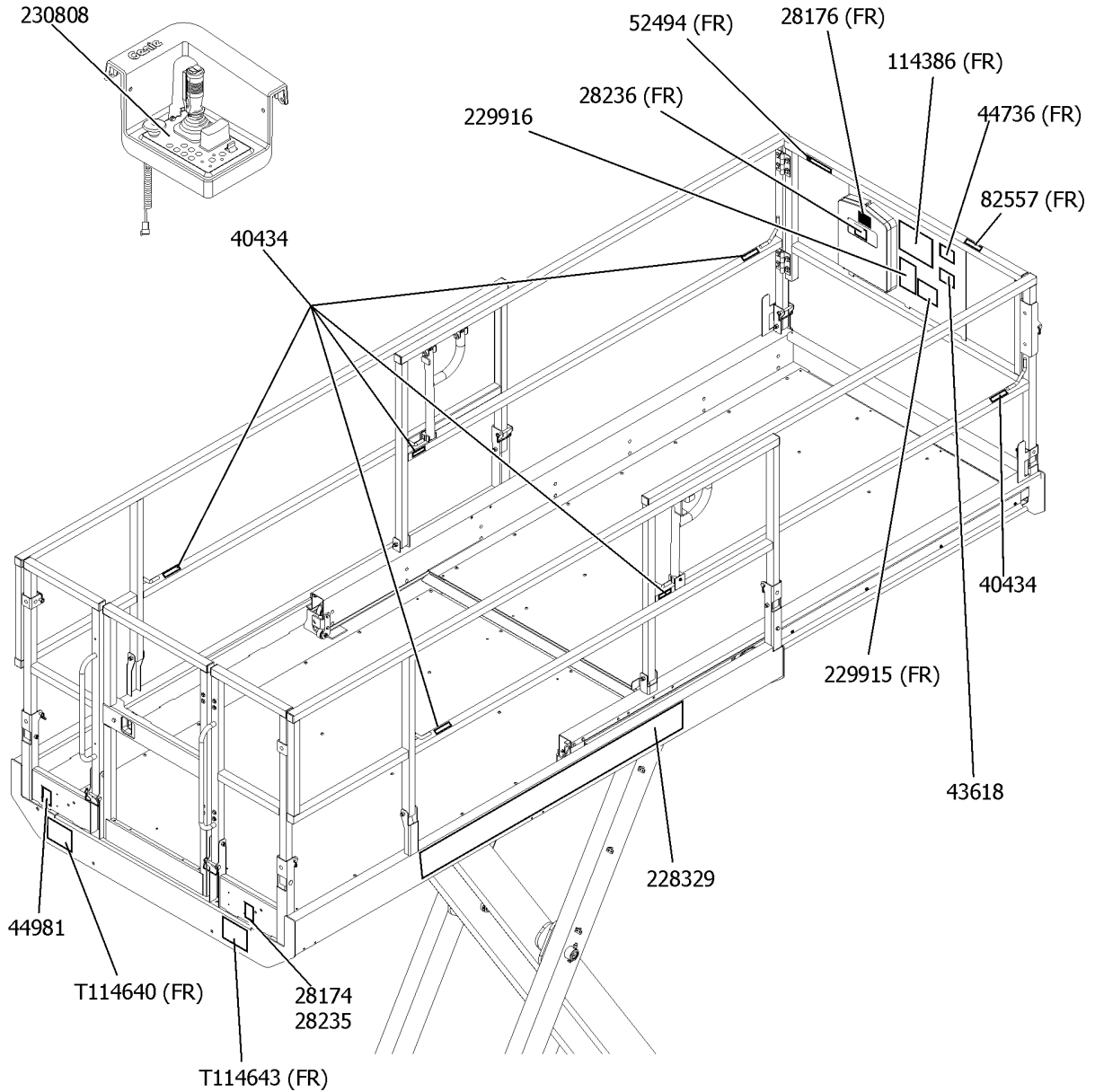
118.1 Decals with Words, GS-4069, Controls Side (to SN GS69F-17999)

<i>Item</i>	<i>Part No.</i>	<i>Description</i>	<i>Qty.</i>
28	229835GT	DECAL,NOTICE,TIRE SPECS (steer end)	1
29	230804GT	DECAL,NOTICE,TIRE SPECS, REAR (non-steer end)	1
30	T114637GT	DECAL,LABEL,WHEEL LD,GS4069RT	2
31	1272242GT	DECAL,MACHINE REGISTRATION/OWNER TRANSFER	1



Platform, ANSI/CSA models

☐ Shading indicates decal is hidden from view.



NOTE:
Part numbers with "(FR)" indicates French translation is available



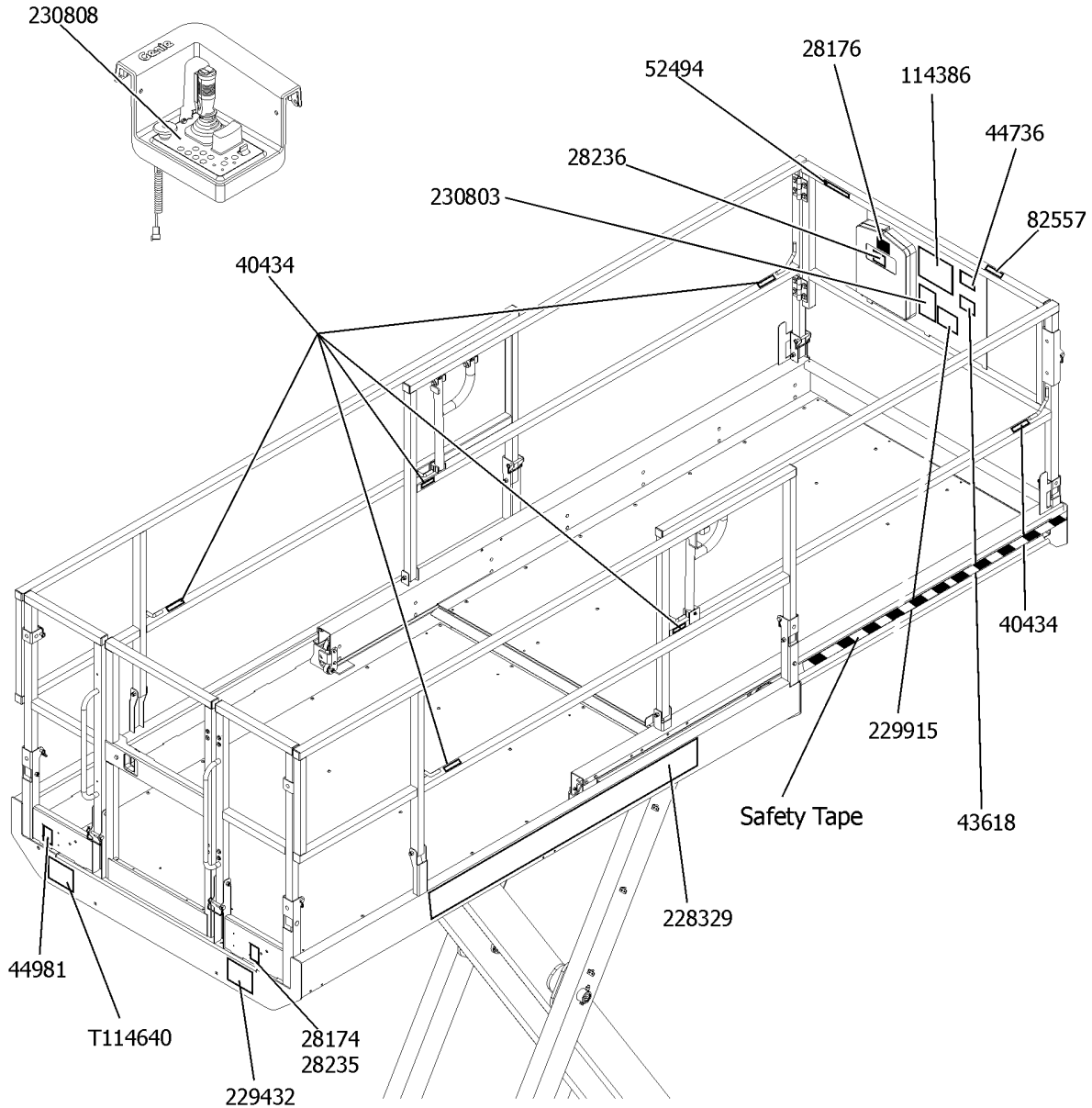
119.1 Decals with Words, GS-4069 Platform, ANSI & CSA (to SN GS69F-17999)

Item	Part No.	Description	Qty.
		Ref. Word Decal Kits (refer to 117.1)	
1	28174GT	DECAL,POWER TO PLATFORM 230V	1
2	28176GT	DECAL,LABEL,MANUAL NOT HERE	1
3	28235GT	DECAL,POWER TO PLATFORM 115V	1
4	28236GT	DECAL,WARN,IMPROPER OPERATION	1
5	40434GT	DECAL,LANYARD ANCHORAGE POINT	6
6	43618GT	DECAL,LABEL-DIRECTION ARROWS	1
7	44736GT	DECAL,DANGER,TIP-OVER,TILT	1
8	44981GT	DECAL,LABEL,AIRLINE 110 PSI	1
9	52494GT	DECAL,CAUTION,CRUSH HAZ, RAILS	1
10	82557GT	DECAL,LABEL,PLAT CONT LOCATION	1
11	114386GT	DECAL,DANGER-GEN SAFETY	1
12	228329GT	DECAL,COSMETIC,GENIE GS-4069RT	2
13	229915GT	DECAL,DANGER,OUTRIGGER SAFETY	1
14	229916GT	DECAL,NOTICE,INST,PLAT-GS69RT	1
15	230808GT	DECAL,PLAT CONTROL PANEL GS69	1
16	T114640GT	DECAL,NOTICE,MAX CAP GS4069 (ANSI & CSA models only)	1
17	T114643GT	DECAL,NOTICE,SIDE FRC,4069 ANS (ANSI & CSA models only)	1



Platform, Australia models

□ Shading indicates decal is hidden from view.

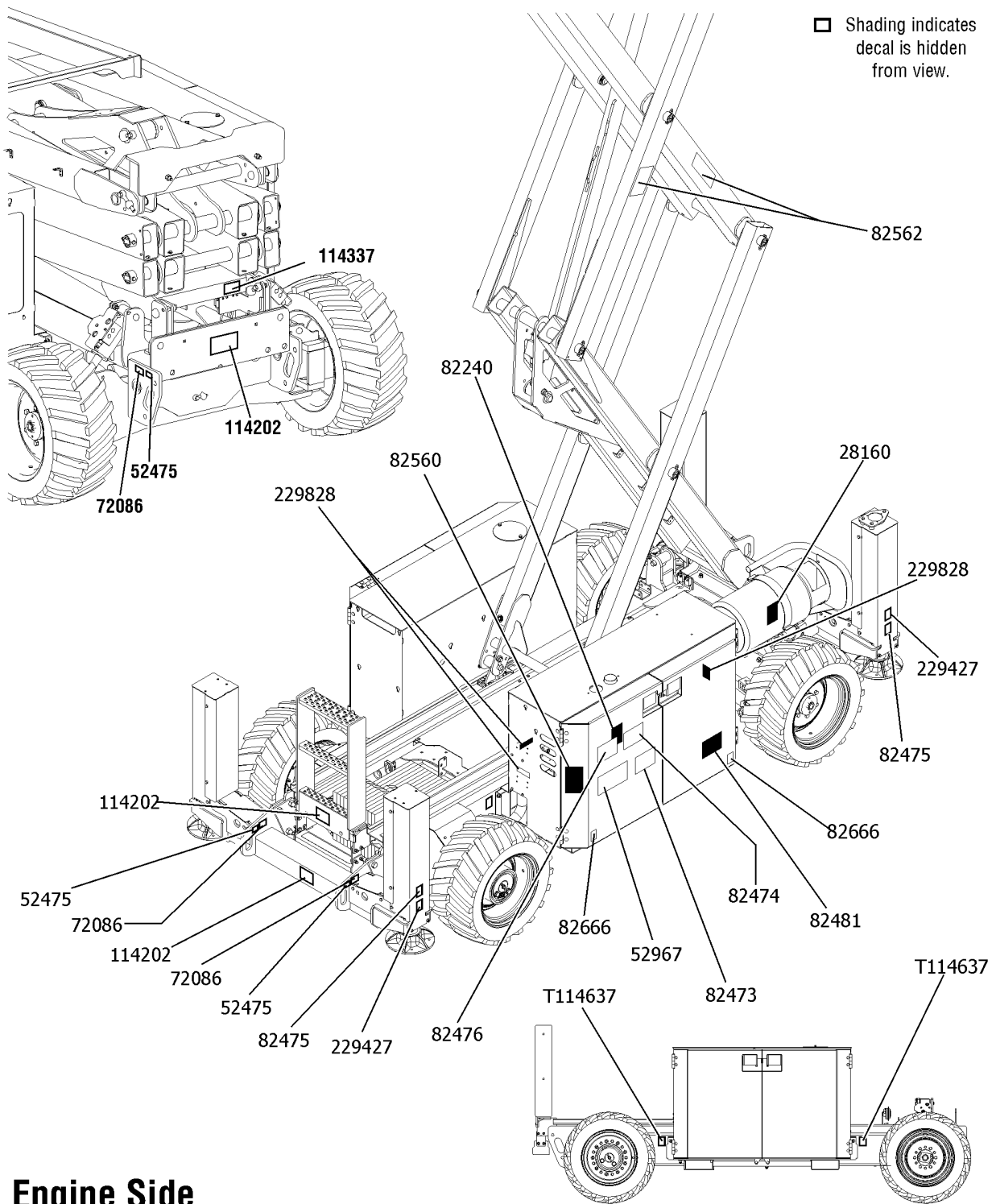


120.1 Decals with Words, GS-4069 Platform, Australia (to SN GS69F-17999)

Item	Part No.	Description	Qty.
		Ref. Word Decal Kits (refer to 117.1)	
1	28174GT	DECAL,POWER TO PLATFORM 230V	1
2	28176GT	DECAL,LABEL,MANUAL NOT HERE	1
3	28235GT	DECAL,POWER TO PLATFORM 115V	1
4	28236GT	DECAL,WARN,IMPROPER OPERATION	1
5	40434GT	DECAL,LANYARD ANCHORAGE POINT	6
6	43618GT	DECAL,LABEL-DIRECTION ARROWS	1
7	44736GT	DECAL,DANGER,TIP-OVER,TILT	1
8	44981GT	DECAL,LABEL,AIRLINE 110 PSI	1
9	52494GT	DECAL,CAUTION,CRUSH HAZ, RAILS	1
10	82557GT	DECAL,LABEL,PLAT CONT LOCATION	1
11	114386GT	DECAL,DANGER-GEN SAFETY	1
12	228329GT	DECAL,COSMETIC,GENIE GS-4069RT	2
13	229915GT	DECAL,DANGER,OUTRIGGER SAFETY	1
14	230803GT	DECAL,NOTICE,INST,PLAT-GS69RT	1
15	230808GT	DECAL,PLAT CONTROL PANEL GS69	1
16	T114640GT	DECAL,NOTICE,MAX CAP GS4069 (Australia models only), to SN GS69F -17999	1
17	229432GT	DECAL,NOTICE,MAN FRC,4069 (Australia models only), to SN GS69F -17999	1



121.1 Decals with Symbols, GS-4069, Engine Side (to SN GS69F-17999)



Engine Side



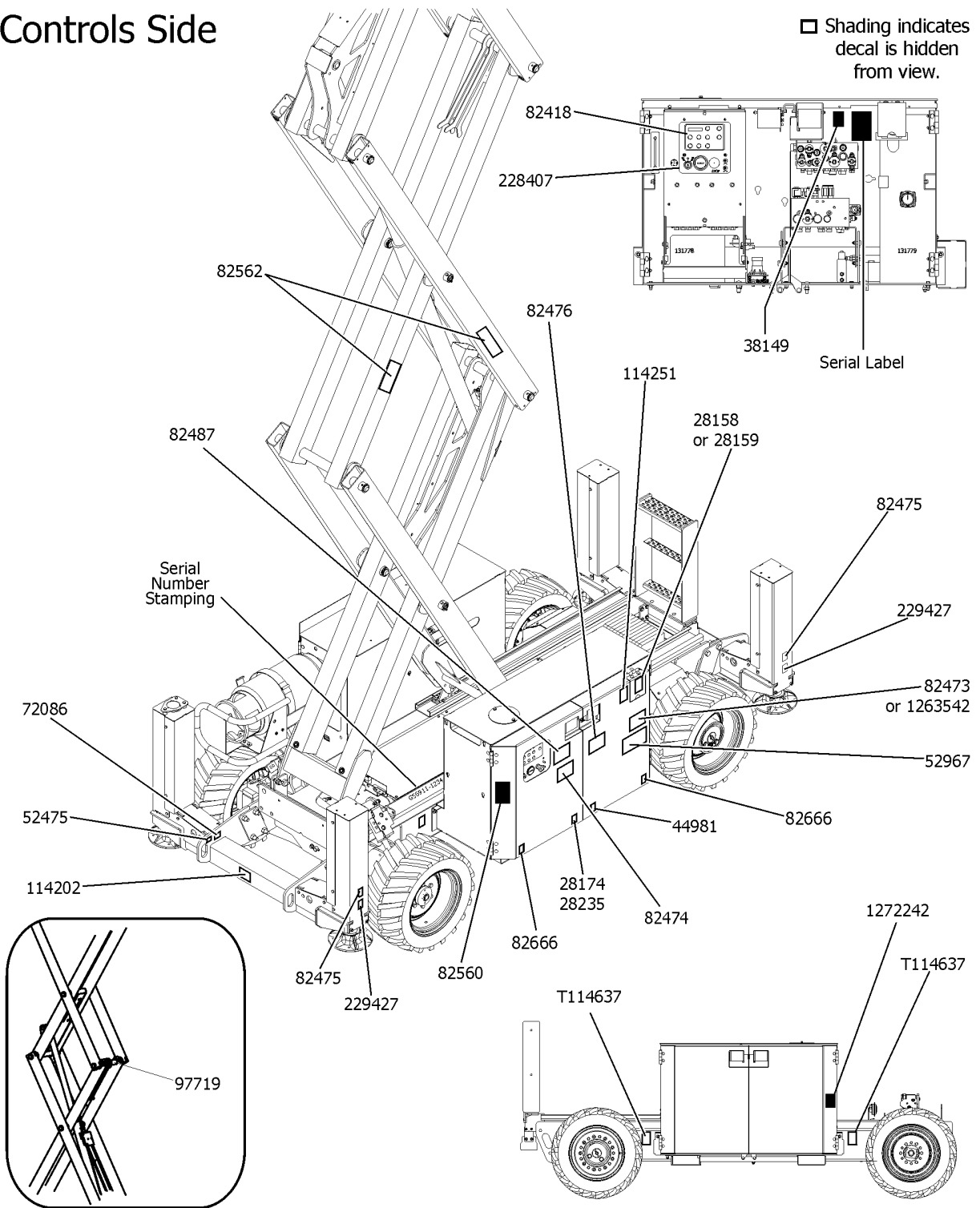
121.1 Decals with Symbols, GS-4069, Engine Side (to SN GS69F-17999)

Item	Part No.	Description	Qty.
	233955GT	DECAL KIT,4069 COMP,SYM,ANSI (Decal kit, complete for ANSI models only)	
	233958GT	DECAL KIT,4069 COMP,SYM,CE (Decal kit, complete for CE models only)	
	233961GT	DECAL KIT,4069 PLAT,SYM,ANSI (Decal kit, platform for Asia & South America models only)	
	233964GT	DECAL KIT,4069 PLAT,SYM,CE (Decal kit, platform for CE models only)	
1	28160GT	DECAL,LABEL,LIQUID PROPANE	1
2	52475GT	DECAL,LABEL,TRANSPORT TIEDOWN*	2
3	52967GT	DECAL,COSMETIC,4 X 4	1
4	72086GT	DECAL,LABEL,LIFTING EYE	2
5	82240GT	DECAL,LABEL,105 DB (CE models only)	1
6	82473GT	DECAL,SYMBOL-COMP ACCESS	1
7	82474GT	DECAL SYMBOL USE SAFETY ARM	1
8	82475GT	DECAL,WARNING,CRUSHING HAZARD	2
9	82476GT	DECAL,SYMBOL-ELEC HAZARD,GS	1
10	82481GT	DECAL,SYMBOL-BATTERY SAFETY	1
11	82560GT	DECAL SYMBOL SKIN INJECT HAZARD	1
12	82562GT	DECAL,SYMBOL-CRUSHING HAZARD	2
13	82666GT	DECAL,LABEL,FORKLIFT POCKET	2
14	114202GT	DECAL,LABEL,TRANSPORT TIE 68	1
15	114337GT	DECAL SYMBOL TIP OVER LIMIT SWITCH	1
16	229427GT	DECAL,LABEL,OUTRIGGER LD	2
17	229828GT	DECAL,LABEL,HOT,SYMBOL	3
18	T114637GT	DECAL,LABEL,WHEEL LD,GS4069RT	2



122.1 Decals with Symbols, GS-4069, Controls Side (to SN GS69F-17999)

Controls Side



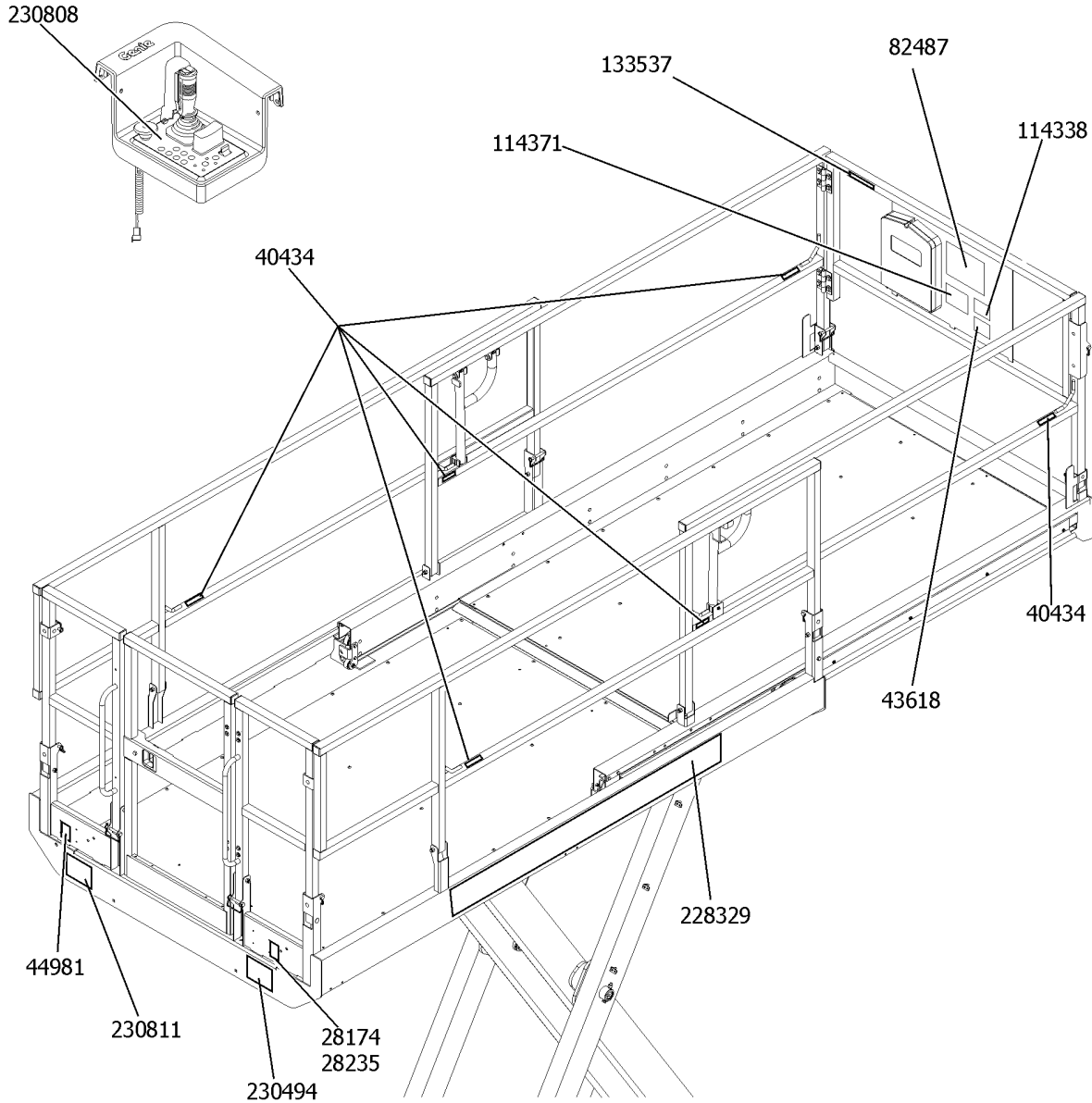
122.1 Decals with Symbols, GS-4069, Controls Side (to SN GS69F-17999)

Item	Part No.	Description	Qty.
		Ref. Symbol Decal Kits (refer to 121.1)	
1	28158GT	DECAL,LABEL,UNLEADED GAS ONLY	1
2	28159GT	DECAL,DIESEL	1
3	28174GT	DECAL,POWER TO PLATFORM 230V	1
4	28235GT	DECAL,POWER TO PLATFORM 115V	1
5	38149GT	DECAL,LABEL,PATENTS (US models only)	1
6	44981GT	DECAL,LABEL,AIRLINE 110 PSI	1
7	52475GT	DECAL,LABEL,TRANSPORT TIEDOWN*	2
8	52967GT	DECAL,COSMETIC,4 X 4	1
9	72086GT	DECAL,LABEL,LIFTING EYE	2
10	82418GT	DECAL,GROUND CONTROL PANEL	1
11A	82473GT	DECAL,SYMBOL-COMP ACCESS (to SN 11474)	1
11B	1263542GT	DECAL,IMPROPER OPERATION,SYMBOL (from SN 11475)	1
12	82474GT	DECAL SYMBOL USE SAFETY ARM	1
13	82475GT	DECAL,WARNING,CRUSHING HAZARD	2
14	82476GT	DECAL,SYMBOL-ELEC HAZARD,GS	1
15	82487GT	DECAL, SYMBOL - READ THE MANUAL	1
16	82560GT	DECAL SYMBOL SKIN INJECT HAZARD	1
17	82562GT	DECAL,SYMBOL-CRUSHING HAZARD	2
18	82666GT	DECAL,LABEL,FORKLIFT POCKET	2
19	97719GT	DECAL, LABEL, SAFETY ARM SYMBOL	1
20	114202GT	DECAL,LABEL,TRANSPORT TIE 68	1
21	114251GT	DECAL,LABEL,NO SMOKING,SYMB	1
22	228407GT	DECAL,GROUND CONTROL PANEL	1
23	229427GT	DECAL,LABEL,OUTRIGGER LD	2
24	T114637GT	DECAL,LABEL,WHEEL LD,GS4069RT	2
25	1272242GT	DECAL,MACHINE REGISTRATION/OWNER TRANSFER	1



Platform, ANSI models

☐ Shading indicates
decals are hidden
from view.



123.1 Decals with Symbols, GS-4069 Platform, Asia & South America (to SN GS69F-17999)

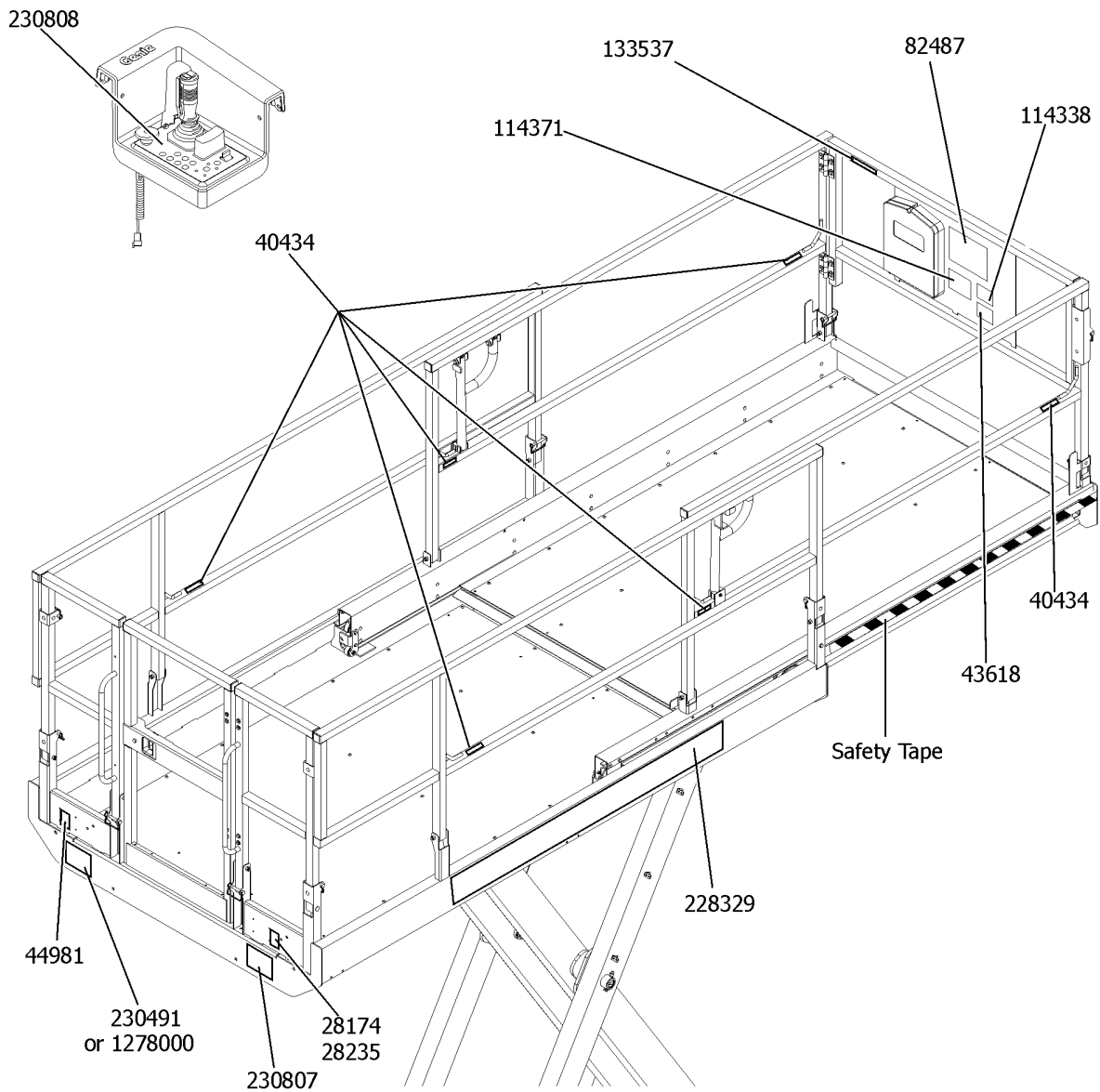
Item	Part No.	Description	Qty.
		Ref. Symbol Decal Kits (refer to 121.1)	
1	28174GT	DECAL,POWER TO PLATFORM 230V	1
2	28235GT	DECAL,POWER TO PLATFORM 115V	1
3	40434GT	DECAL,LANYARD ANCHORAGE POINT	6
4	43618GT	DECAL,LABEL-DIRECTION ARROWS	1
5	44981GT	DECAL,LABEL,AIRLINE 110 PSI	1
6	82487GT	DECAL, SYMBOL - READ THE MANUAL	1
7	114338GT	DECAL SYMBOL TIP OVER TILT ALARM	1
8	114371GT	DECAL,DANGER,OUTRIGGER SAFETY	1
9	133537GT	DECAL,CRUSH HAZ RAILS SYMB	1
10	228329GT	DECAL,COSMETIC,GENIE GS-4069RT	3
11	230494GT	DECAL,DANGER,SIDE FRC,GS4069 (Asia & S. America models only)	3
12	230808GT	DECAL,PLAT CONTROL PANEL GS69	1
13	230811GT	DECAL,NOTICE,MAX CAP GS4069 (Asia & S. America models only)	1



124.1 Decals with Symbols, GS-4069 Platform, CE (to SN GS69F-17999)

Platform, CE models

☐ Shading indicates decal is hidden from view.

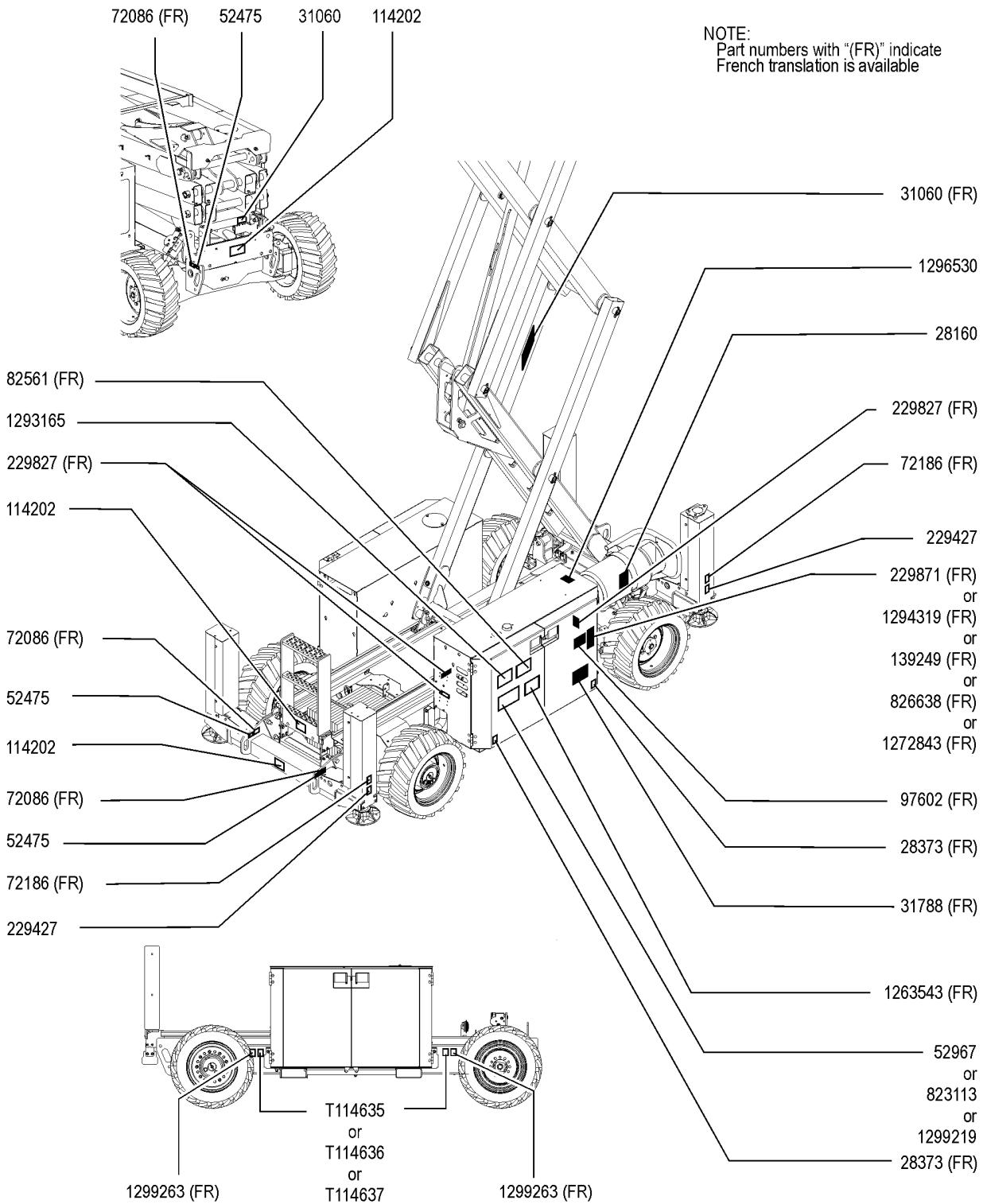


124.1 Decals with Symbols, GS-4069 Platform, CE (to SN GS69F-17999)

Item	Part No.	Description	Qty.
		Ref. Symbol Decal Kits (refer to 121.1)	
1	28174GT	DECAL,POWER TO PLATFORM 230V	1
2	28235GT	DECAL,POWER TO PLATFORM 115V	1
3	40434GT	DECAL,LANYARD ANCHORAGE POINT	6
4	43618GT	DECAL,LABEL-DIRECTION ARROWS	1
5	44981GT	DECAL,LABEL,AIRLINE 110 PSI	1
6	82487GT	DECAL, SYMBOL - READ THE MANUAL	1
7	114338GT	DECAL SYMBOL TIP OVER TILT ALARM	1
8	114371GT	DECAL,DANGER,OUTRIGGER SAFETY	1
9	133537GT	DECAL,CRUSH HAZ RAILS SYMB	1
10	228329GT	DECAL,COSMETIC,GENIE GS-4069RT	2
11A	230491GT	DECAL,NOTICE,MAX CAP GS4069 (to SN 11474) (CE models only)	1
11B	1278000GT	DECAL,DANGER,MAX CAP/MAN FRC 4069 CE (from SN 11474)	1
12	230808GT	DECAL,PLAT CONTROL PANEL GS69	1
13	230807GT	DECAL,DANGER,MAN FRC, GS4069 (CE models only)	1



125.1 Decals with Word, Engine Side (from SN GS69F-18000)

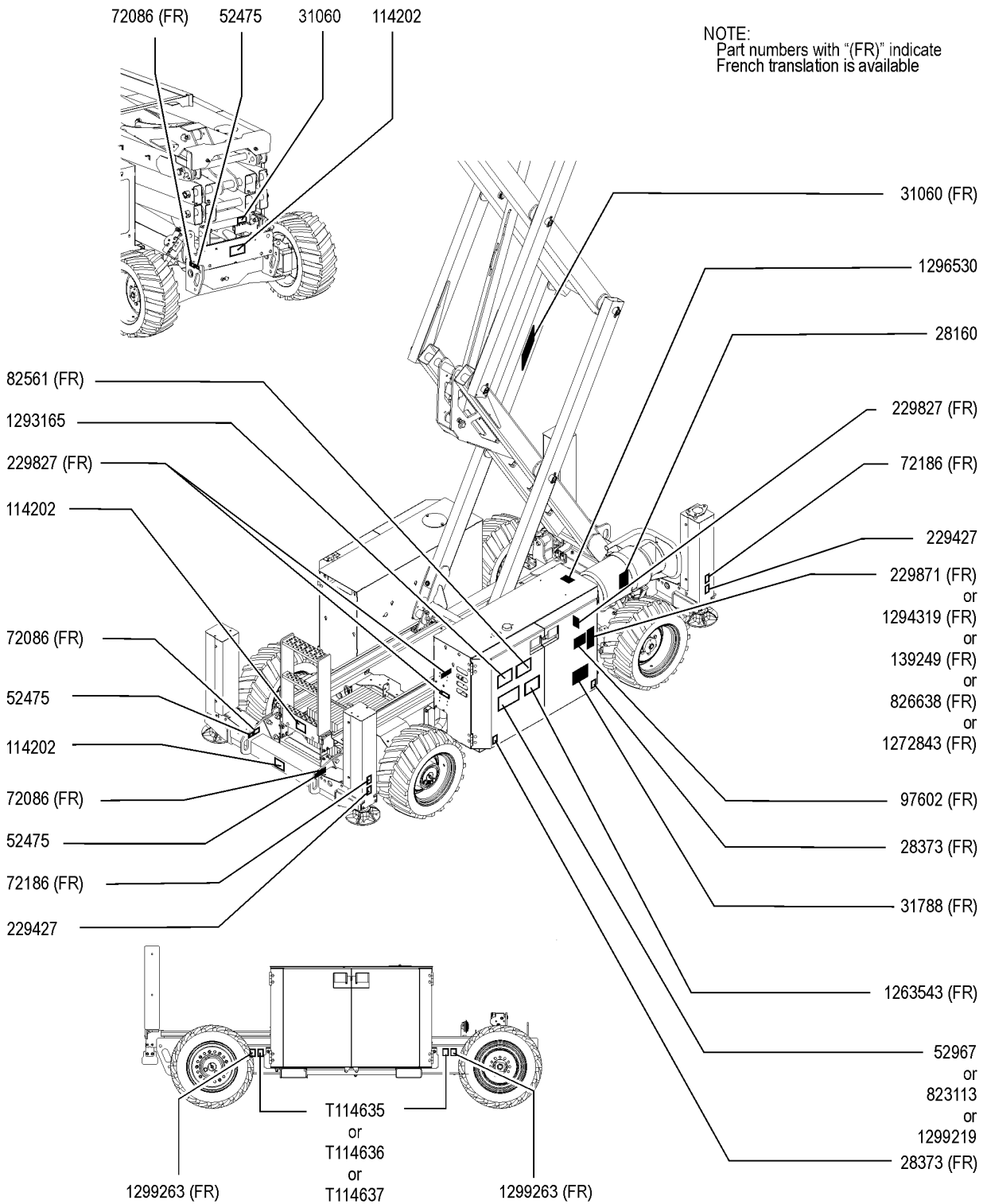


125.1 Decals with Word, Engine Side (from SN GS69F-18000)

Item	Part No.	Description	Qty.
-	1306819GT	INSTRUCTIONS,INSTALL,COMP,WORD, GS-69 RT	1
-	1306820GT	DECAL KIT, GS-69 RT,COMP,WORD,ANSI & AUS	1
1	28160GT	DECAL,LABEL,LIQUID PROPANE	1
2	28373GT	DECAL,FORK LIFT POCKET English decal	2
2B	28373FRGT	DECAL,FORK LIFT POCKET French decal	2
3	31060GT	DECAL,DANGER DO NOT ALTER SWTC English decal	2
3B	31060FRGT	DECAL,DANGER-TIP OVR,LIMSWITCH French decal	2
4	31788GT	DECAL,DANGER,BATTERY SAFETY*** English decal	1
4B	31788FRGT	DECAL,DANGER,BATTERY SAFETY,FRENCH French decal	1
5	52475GT	DECAL,LABEL,TRANSPORT TIEDOWN* English decal	3
5B	52475FRGT	DECAL, LABEL, TRANSPORT TIEDOWN, F French decal	3
6	52967GT	DECAL,COSMETIC,4 X 4	1
7	72086GT	DECAL,LABEL,LIFTING EYE English decal	3
7B	72086FRGT	DECAL,LABEL,LIFTING EYE French decal	3
8	72186GT	DECAL,WARNING,CRUSHING HAZARD English decal	2
8B	72186FRGT	DECAL,CAUTION,CRUSHING HAZARD* French decal	2
9	82561GT	DECAL,DANGER-USE SAFETY ARM English decal	1
9B	82561FRGT	DECAL,DANGER-USE SAFETY ARM French decal	1
10	97602GT	DECAL,EXPLOSION HAZARD English decal	1
10B	97602FRGT	DECAL,WARNING,EXPLOSION,ETHER,FRENCH French decal	1
11	114202GT	DECAL,LABEL,TRANSPORT TIE 68	1
12	139249GT	DECAL,NOTICE,PERKINS 403D SPEC	1
13	229427GT	DECAL,LABEL,OUTRIGGER LD	2
14	229827GT	DECAL,WARNING,HOT SURFACE English decal	3
14B	229827FRGT	DECAL,WARNING,HOT SURFACE French decal	3
15	229871GT	DECAL,NOTICE,KUBOTA GAS SPECS	1
16	823113GT	DECAL,COSM,4X4,BLACK	1
17	826638GT	DECAL,ENGINE SPEC,PERKINS 403D	1



125.1 Decals with Word, Engine Side (from SN GS69F-18000)

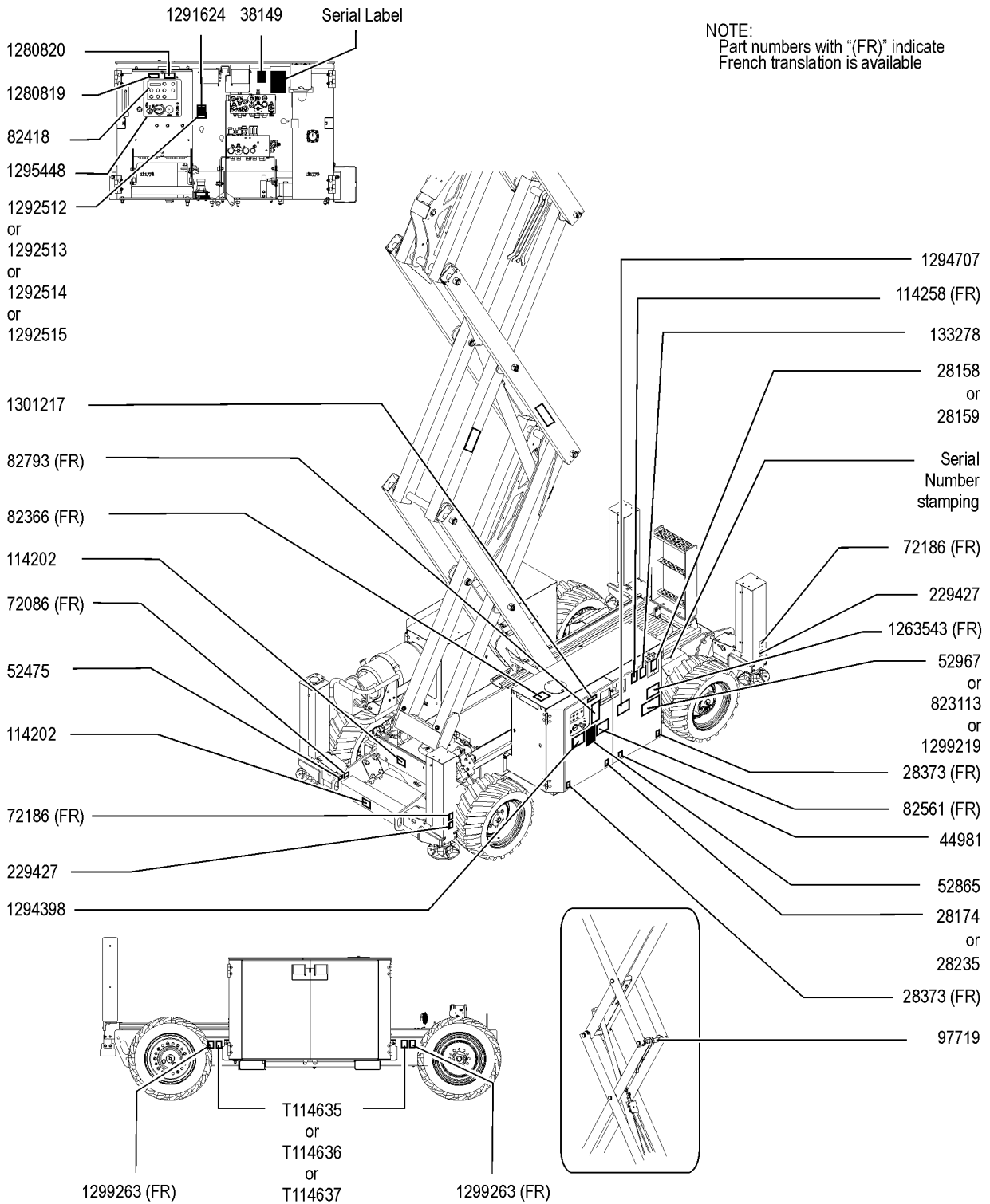


125.1 Decals with Word, Engine Side (from SN GS69F-18000)

Item	Part No.	Description	Qty.
18	1263543GT	DECAL,COMPARTMENT ACCESS English decal	1
18B	1263543FRGT	DECAL, IMPROPER OPERATION, FR French decal	1
19	1272843GT	DECAL,NOTICE,GM .998L SPEC	1
20	1293165GT	DECAL,DANGER/WARNING COMBO, GS-1330m English decal	1
20B	1293165FRGT	DECAL,DANGER/WARNING COMBO,GS-1330m French decal	1
21	1294319GT	DECAL, KUBOTA D1105, SPECS English decal	1
21B	1294319FRGT	DECAL, KUBOTA D1105, SPECS,FR French decal	1
22	1296530GT	DECAL, EPA/CARB EMISSIONS 2019 no longer available	1
22B	1309858GT	DECAL, CARB, EPA CERT, 2021 from SN GS69F-18361 to SN GS69F-19476	1
22C	1312528GT	DECAL, CARB, EPA CERT, 2022 from SN GS69F-19477, (no longer available)	1
23	1299219GT	DECAL,COSMETIC,4 X 4, BLUE	1
24	1299263GT	DECAL,DANGER,TIP, GS69 FOAM FILLED English decal	2
24B	1299263FRGT	DECAL,DANGER,TIP, GS69 FOAM FILLED French decal	2
25	T114635GT	DECAL,LABEL,WHEEL LD,GS2669RT	2
26	T114636GT	DECAL,LABEL,WHEEL LD,GS3369RT	2
27	T114637GT	DECAL,LABEL,WHEEL LD,GS4069RT	2
28	1311471GT	DECAL,DANGER,TIP, GS69 FOAM FILLED, FRONT English decal	1
28B	1311471FRGT	DECAL,DANGER,TIP, GS69 FOAM FILLED, FRONT French decal	1
29	82666GT	DECAL,LABEL,FORKLIFT POCKET English decal	1
29B	82666FRGT	DECAL,LABEL,FORKLIFT POCKET French decal	1



126.1 Decals with Word, Control Side (from SN GS69F-18000)

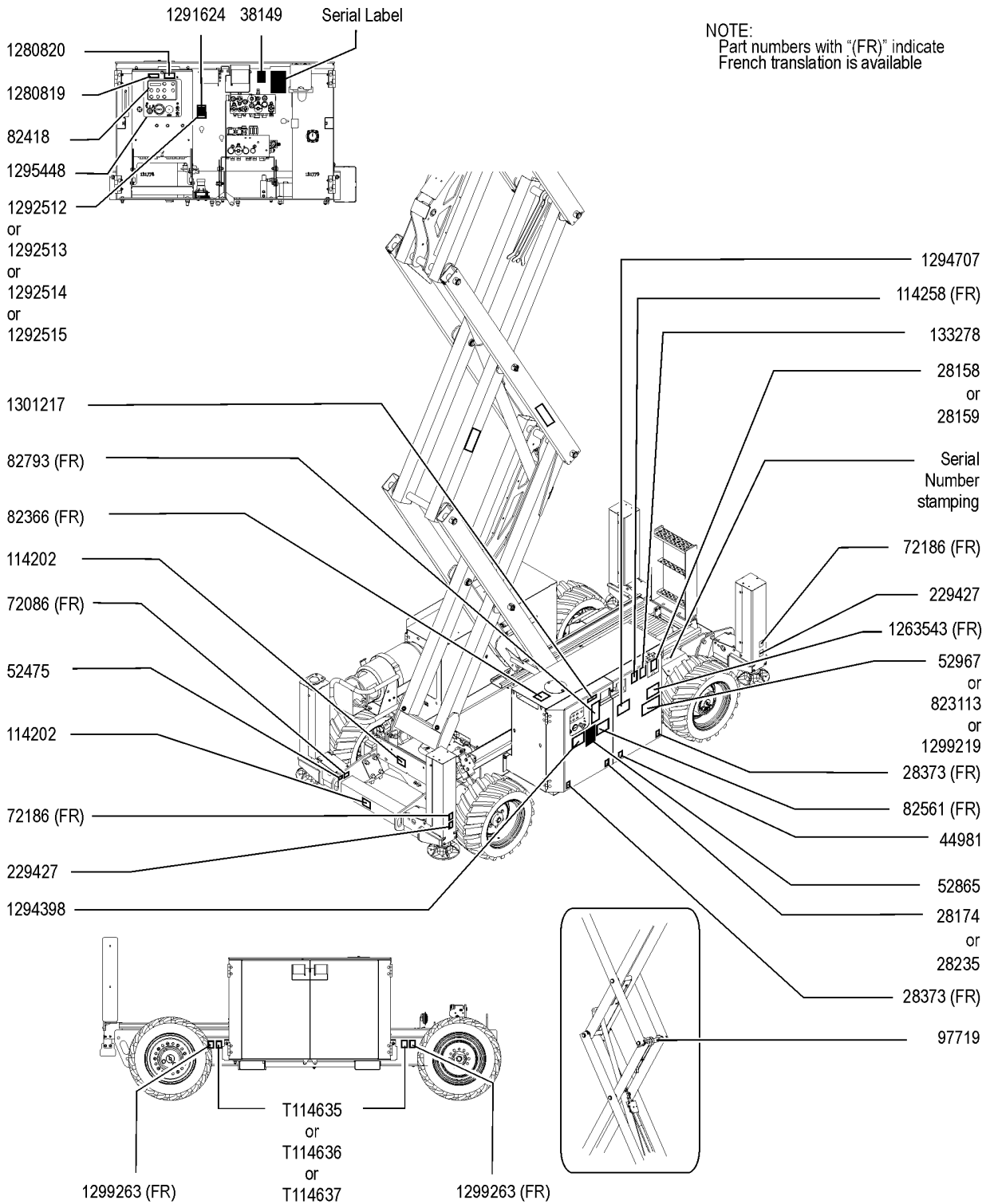


126.1 Decals with Word, Control Side (from SN GS69F-18000)

Item	Part No.	Description	Qty.
1	28158GT	DECAL,LABEL,UNLEADED GAS ONLY	1
2	28159GT	DECAL,DIESEL	1
3	28174GT	DECAL,POWER TO PLATFORM 230V	1
4	28235GT	DECAL,POWER TO PLATFORM 115V	1
5	28373GT	DECAL,FORK LIFT POCKET	2
6	38149GT	DECAL,LABEL,PATENTS	1
7	44981GT	DECAL,LABEL,AIRLINE 110 PSI	1
8	52475GT	DECAL,LABEL,TRANSPORT TIEDOWN*	1
9	52865GT	DECAL,ANNUAL INSP***	1
10	52967GT	DECAL,COSMETIC,4 X 4	1
11	72086GT	DECAL,LABEL,LIFTING EYE	1
12	72186GT	DECAL,WARNING,CRUSHING HAZARD	2
13	82366GT	DECAL,CHEVRON RANDO HD	1
14	82418GT	DECAL,GROUND CONTROL PANEL	1
15	82561GT	DECAL,DANGER-USE SAFETY ARM	1
16	82793GT	DECAL,NOTICE,OP INST,GROUND	1
17	97719GT	DECAL, LABEL, SAFETY ARM SYMBOL	1
18	114202GT	DECAL,LABEL,TRANSPORT TIE 68	1
19	114258GT	DECAL,DANGER,NO SMOKING	1
20	133278GT	DECAL,LOW/ULTRA LOW SULFR FUEL	1
21	229427GT	DECAL,LABEL,OUTRIGGER LD	2
22	823113GT	DECAL,COSM,4X4,BLACK	1
23	1263543GT	DECAL,COMPARTMENT ACCESS	1
24	1280819GT	DECAL,WARNING,CANCER AND REPRODUCTIVE HARM, PROP 65 US ANSI Only	1
25	1280820GT	DECAL,FUEL,DIESEL EXHAUST, PROP 65 US ANSI Only	1
26	1291624GT	DECAL COSM,GENIE LIFT CONNECT,LEXAN COVER	1
27	1292512GT	DECAL COSM,GENIE LIFT CONNECT,ESN,SKU4-1 No longer available (Supplier Part)	1
28	1292513GT	DECAL COSM,GENIE LIFT CONNECT,ESN,SKU4-2 No longer available (Supplier Part)	1



126.1 Decals with Word, Control Side (from SN GS69F-18000)

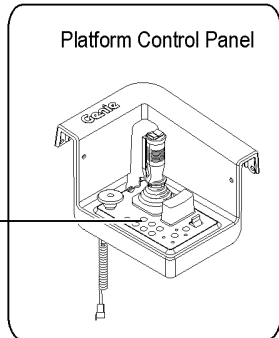


126.1 Decals with Word, Control Side (from SN GS69F-18000)

<i>Item</i>	<i>Part No.</i>	<i>Description</i>	<i>Qty.</i>
29	1292514GT	DECAL COSM,GENIE LIFT CONNECT,ESN,SKU4-3 No longer available (Supplier Part)	1
30	1292515GT	DECAL COSM,GENIE LIFT CONNECT,ESN,SKU4-4 No longer available (Supplier Part)	1
31	1294398GT	DECAL, ANSI/CSA COMPLIANT	1
32	1294707GT	DECAL,DANGER,ELEC HAZARD,GS, MINI	2
33	1295448GT	DECAL, GROUND CONTROL PANEL, LS	1
34	1299219GT	DECAL,COSMETIC,4 X 4, BLUE	1
35	1299263GT	DECAL,DANGER,TIP, GS69 FOAM FILLED	2
36	1301217GT	DECAL, EMERGENCY LOWERING, GS90/GS69RT	1
37	T114635GT	DECAL,LABEL,WHEEL LD,GS2669RT	2
38	T114636GT	DECAL,LABEL,WHEEL LD,GS3369RT	2
39	T114637GT	DECAL,LABEL,WHEEL LD,GS4069RT	2



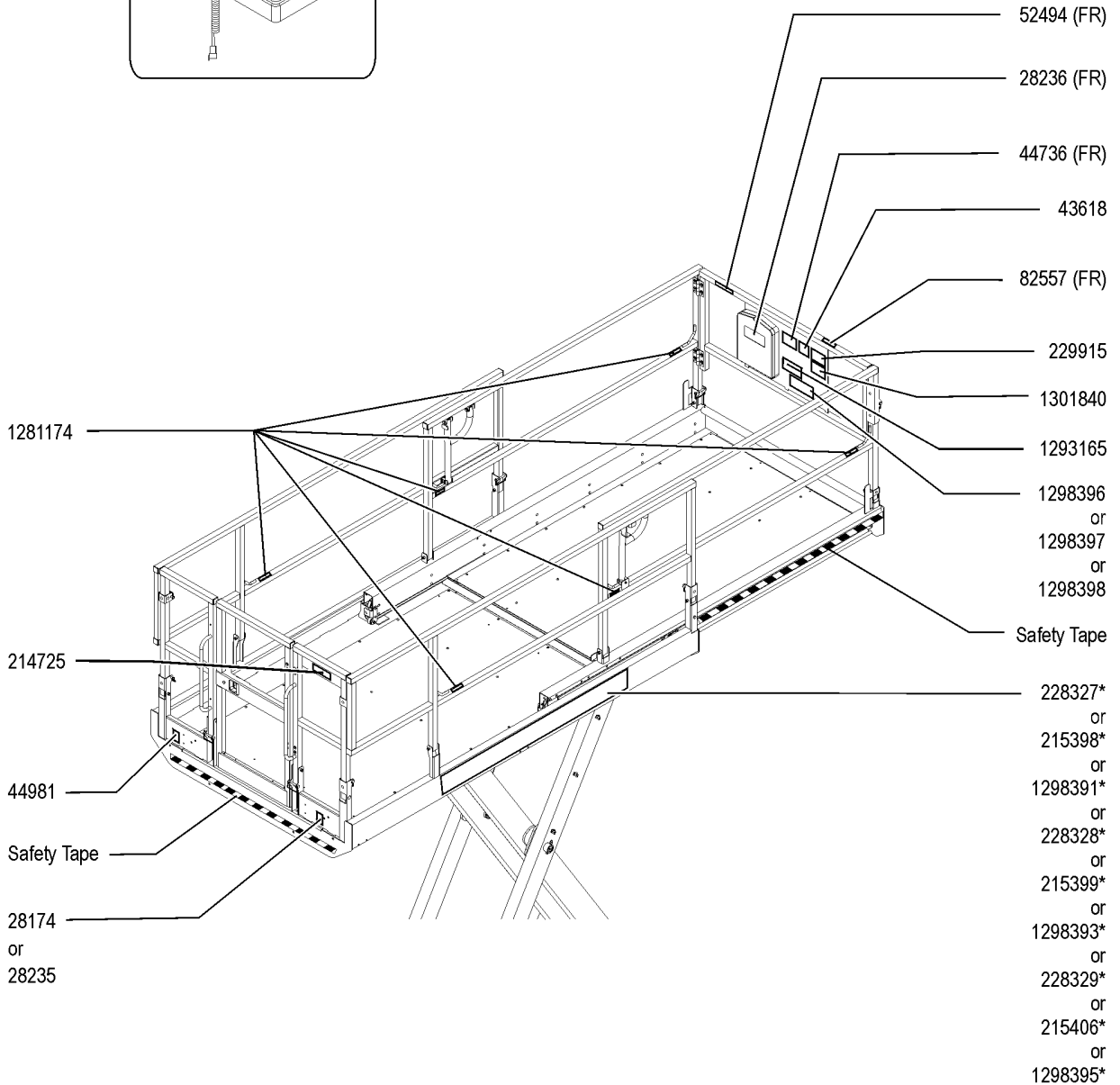
127.1 Decals with Word, Platform Side (from SN GS69F-18000)



230808

NOTE:
Part numbers with "(FR)" indicate
French translation is available

*Install decal on both sides of the chassis

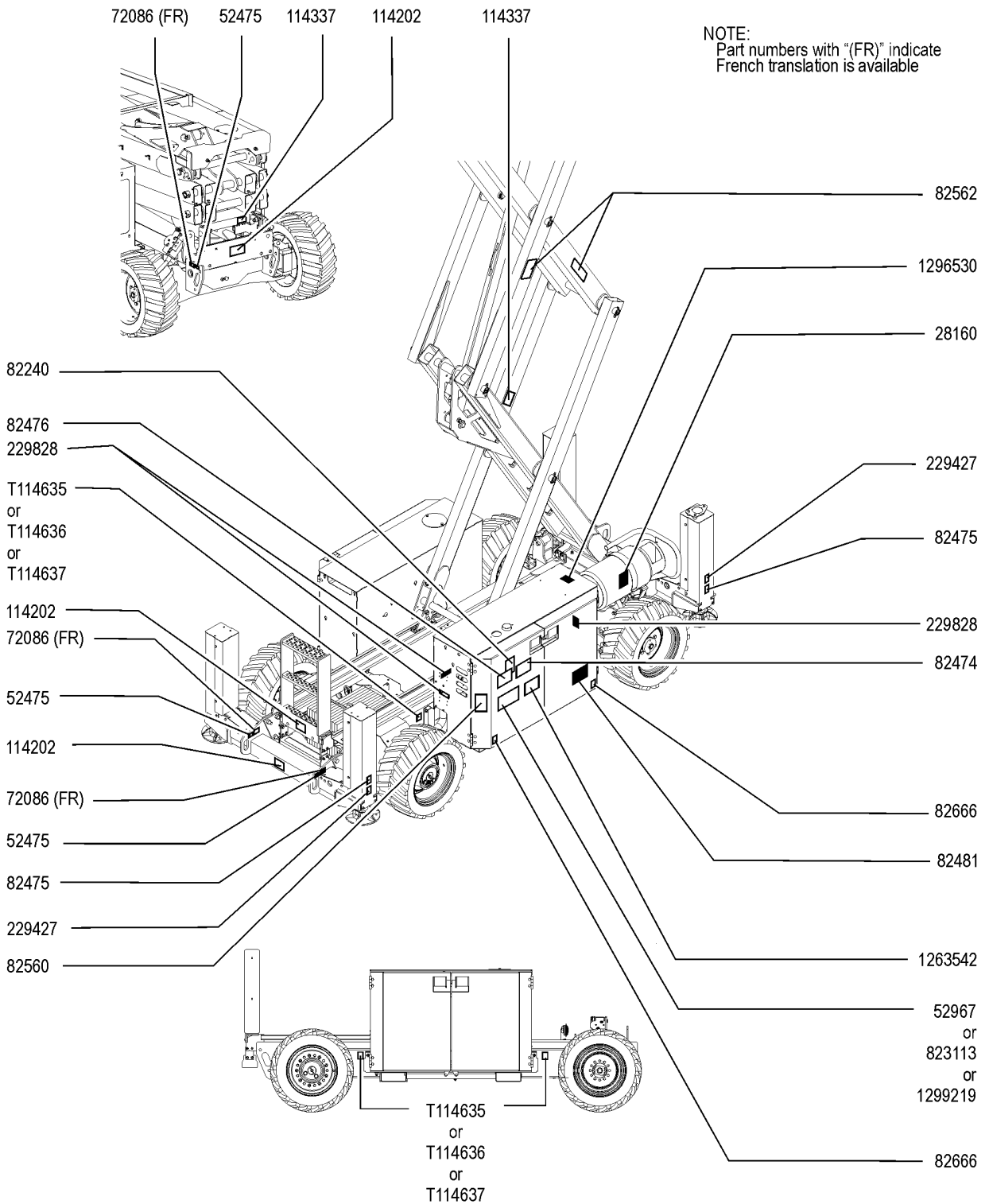


127.1 Decals with Word, Platform Side (from SN GS69F-18000)

Item	Part No.	Description	Qty.
-	1306821GT	INSTRUCTIONS,INSTALL,PLAT,WORD, GS-69 RT	1
-	1306822GT	DECAL KIT, GS-69 RT,PLAT,WORD,ANSI & AUS	1
1	28174GT	DECAL,POWER TO PLATFORM 230V	1
2	28235GT	DECAL,POWER TO PLATFORM 115V	1
3	28236GT	DECAL,WARN,IMPROPER OPERATION	1
4	43618GT	DECAL,LABEL-DIRECTION ARROWS	1
5	44736GT	DECAL,DANGER,TIP-OVER,TILT	1
6	44981GT	DECAL,LABEL,AIRLINE 110 PSI	1
7	52494GT	DECAL,CAUTION,CRUSH HAZ, RAILS	1
8	82557GT	DECAL,LABEL,PLAT CONT LOCATION	1
9	214725GT	DECAL,WARNING,FALL HAZARD,AV	1
10	215398GT	DECAL,COSM,BLK,GENIE GS2669RT	2
11	215399GT	DECAL,COSM,BLK,GENIE GS3369RT	2
12	215406GT	DECAL,COSM,BLK,GENIE GS4069RT	2
13	228327GT	DECAL,COSMETIC,GENIE GS-2669RT	2
14	228328GT	DECAL,COSMETIC,GENIE GS-3369RT	2
15	228329GT	DECAL,COSMETIC,GENIE GS-4069RT	2
16	229915GT	DECAL,DANGER,OUTRIGGER SAFETY	1
17	230808GT	DECAL,PLAT CONTROL PANEL GS69	1
18	1281174GT	DECAL,LANYARD,FALL ARREST/FALL RESTRAINED	6
19	1293165GT	DECAL,DANGER/WARNING COMBO, GS-1330m	1
20	1298391GT	DECAL, COSMETIC,GENIE GS-2669RT, BLUE	2
21	1298393GT	DECAL, COSMETIC,GENIE GS-3369RT, BLUE	2
22	1298395GT	DECAL, COSMETIC,GENIE GS-4069RT, BLUE	2
23	1298396GT	DECAL, NOTICE, MAX CAP AND SIDE FORCE, GS2669	1
24	1298397GT	DECAL, NOTICE, MAX CAP AND SIDE FORCE, GS3369	1
25	1298398GT	DECAL, NOTICE, MAX CAP AND SIDE FORCE, GS 4069	1
26	1301840GT	DECAL, DANGER, OVERLOAD, RT SCISSORS	1



128.1 Decals with Symbol, Engine Side (from SN GS69F-18000)

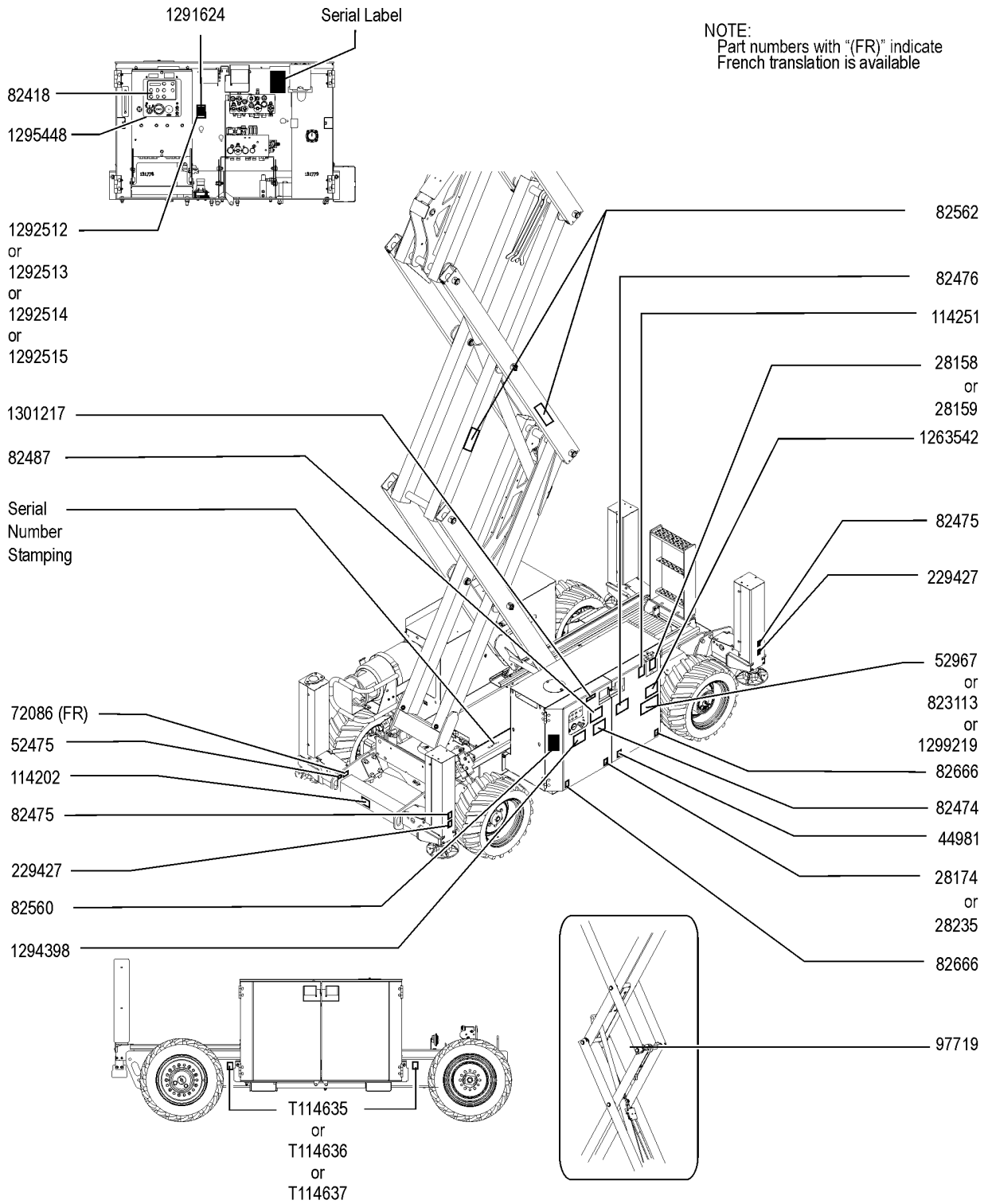


128.1 Decals with Symbol, Engine Side (from SN GS69F-18000)

Item	Part No.	Description	Qty.
-	1306823GT	INSTRUCTIONS,INSTALL,COMP,SYMBOL, GS-69 RT	1
-	1306824GT	DECAL KIT, GS-69 RT,COMP,SYMBOL,ANSI & CE	1
1	28160GT	DECAL,LABEL,LIQUID PROPANE	1
2	52475GT	DECAL,LABEL,TRANSPORT TIEDOWN*	3
3	52967GT	DECAL,COSMETIC,4 X 4	1
4	72086GT	DECAL,LABEL,LIFTING EYE	3
5	82240GT	DECAL,LABEL,105 DB CE Only	1
6	82474GT	DECAL SYMBOL USE SAFETY ARM	1
7	82475GT	DECAL,WARNING,CRUSHING HAZARD	2
8	82476GT	DECAL,SYMBOL-ELEC HAZARD,GS	1
9	82481GT	DECAL,SYMBOL-BATTERY SAFETY	1
10	82560GT	DECAL SYMBOL SKIN INJECT HAZARD	1
11	82562GT	DECAL,SYMBOL-CRUSHING HAZARD	1
12	82666GT	DECAL,LABEL,FORKLIFT POCKET	2
13	114202GT	DECAL,LABEL,TRANSPORT TIE 68	1
14	114337GT	DECAL SYMBOL TIP OVER LIMIT SWITCH	2
15	229427GT	DECAL,LABEL,OUTRIGGER LD	2
16	229828GT	DECAL,LABEL,HOT,SYMBOL	3
17	823113GT	DECAL,COSM,4X4,BLACK	1
18	1263542GT	DECAL,IMPROPER OPERATION,SYMBOL	1
19	1296530GT	DECAL, EPA/CARB EMISSIONS 2019 no longer available	1
19B	1309858GT	DECAL,CARB,EPA CERT,2021 from SN GS69F-18361 to SN GS69F-19476	1
19C	1312528GT	DECAL,CARB,EPA CERT,2022 from SN GS69F-19477, (no longer available)	1
20	1299219GT	DECAL,COSMETIC,4 X 4, BLUE	1
21	T114635GT	DECAL,LABEL,WHEEL LD,GS2669RT	2
22	T114636GT	DECAL,LABEL,WHEEL LD,GS3369RT	2
23	T114637GT	DECAL,LABEL,WHEEL LD,GS4069RT	2



129.1 Decals with Symbol, Control Side (from SN GS69F-18000)

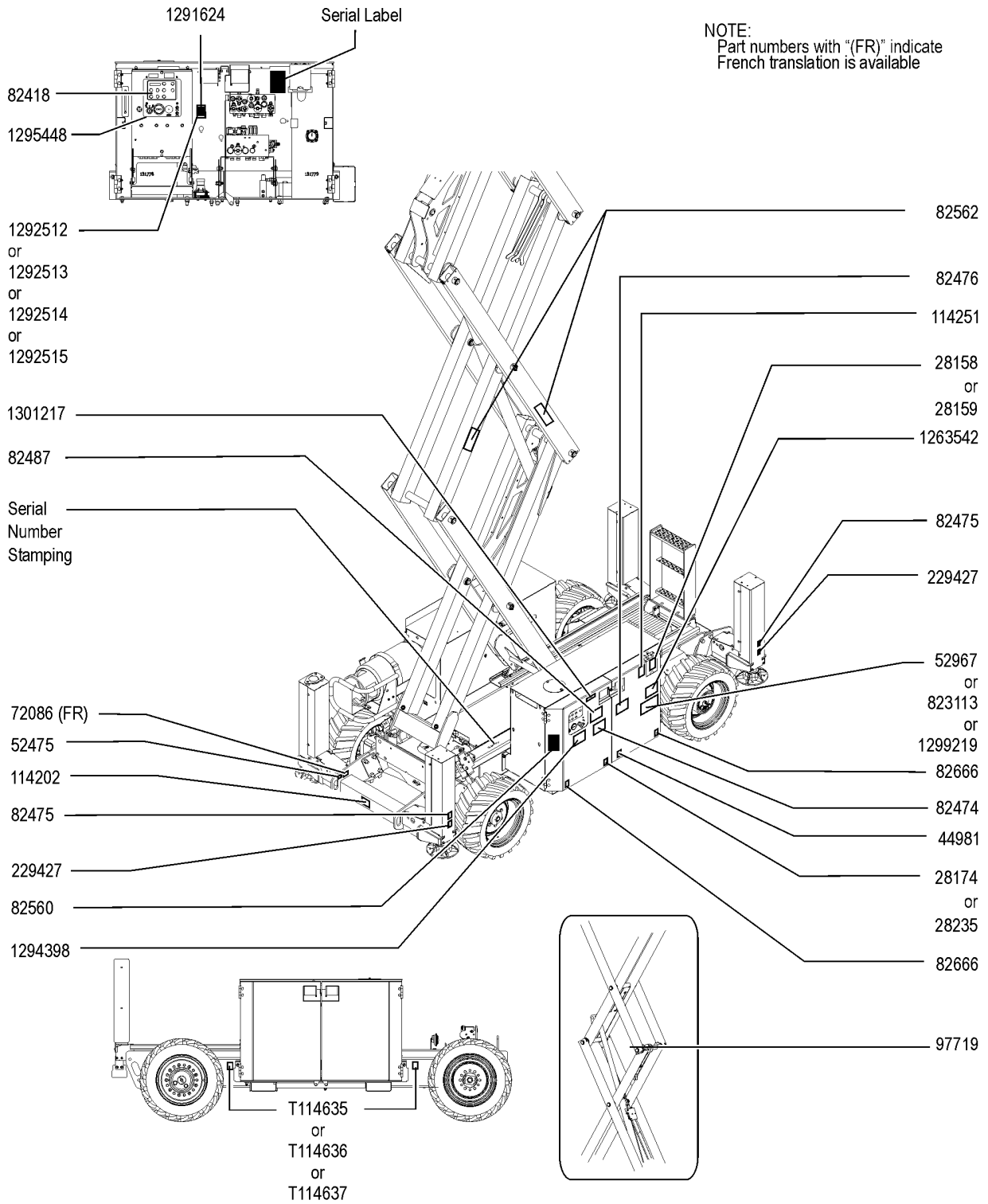


129.1 Decals with Symbol, Control Side (from SN GS69F-18000)

Item	Part No.	Description	Qty.
1	28158GT	DECAL,LABEL,UNLEADED GAS ONLY	1
2	28159GT	DECAL,DIESEL	1
3	28174GT	DECAL,POWER TO PLATFORM 230V	1
4	28235GT	DECAL,POWER TO PLATFORM 115V	1
5	44981GT	DECAL,LABEL,AIRLINE 110 PSI	1
6	52475GT	DECAL,LABEL,TRANSPORT TIEDOWN*	1
7	52967GT	DECAL,COSMETIC,4 X 4	1
8	72086GT	DECAL,LABEL,LIFTING EYE	1
9	82418GT	DECAL,GROUND CONTROL PANEL	1
10	82474GT	DECAL SYMBOL USE SAFETY ARM	1
11	82475GT	DECAL,WARNING,CRUSHING HAZARD	2
12	82476GT	DECAL,SYMBOL-ELEC HAZARD,GS	1
13	82487GT	DECAL, SYMBOL - READ THE MANUAL	1
14	82560GT	DECAL SYMBOL SKIN INJECT HAZARD	1
15	82562GT	DECAL,SYMBOL-CRUSHING HAZARD	1
16	82666GT	DECAL,LABEL,FORKLIFT POCKET	2
17	97719GT	DECAL, LABEL, SAFETY ARM SYMBOL	1
18	114202GT	DECAL,LABEL,TRANSPORT TIE 68	1
19	114251GT	DECAL,LABEL,NO SMOKING,SYMB	1
20	229427GT	DECAL,LABEL,OUTRIGGER LD	2
21	823113GT	DECAL,COSM,4X4,BLACK	1
22	1263542GT	DECAL,IMPROPER OPERATION,SYMBOL	1
23	1291624GT	DECAL COSM,GENIE LIFT CONNECT,LEXAN COVER	1
24	1292512GT	DECAL COSM,GENIE LIFT CONNECT,ESN,SKU4-1 No longer available (Supplier Part)	1
25	1292513GT	DECAL COSM,GENIE LIFT CONNECT,ESN,SKU4-2 No longer available (Supplier Part)	1
26	1292514GT	DECAL COSM,GENIE LIFT CONNECT,ESN,SKU4-3 No longer available (Supplier Part)	1
27	1292515GT	DECAL COSM,GENIE LIFT CONNECT,ESN,SKU4-4 No longer available (Supplier Part)	1
28	1294398GT	DECAL, ANSI/CSA COMPLIANT	1



129.1 Decals with Symbol, Control Side (from SN GS69F-18000)

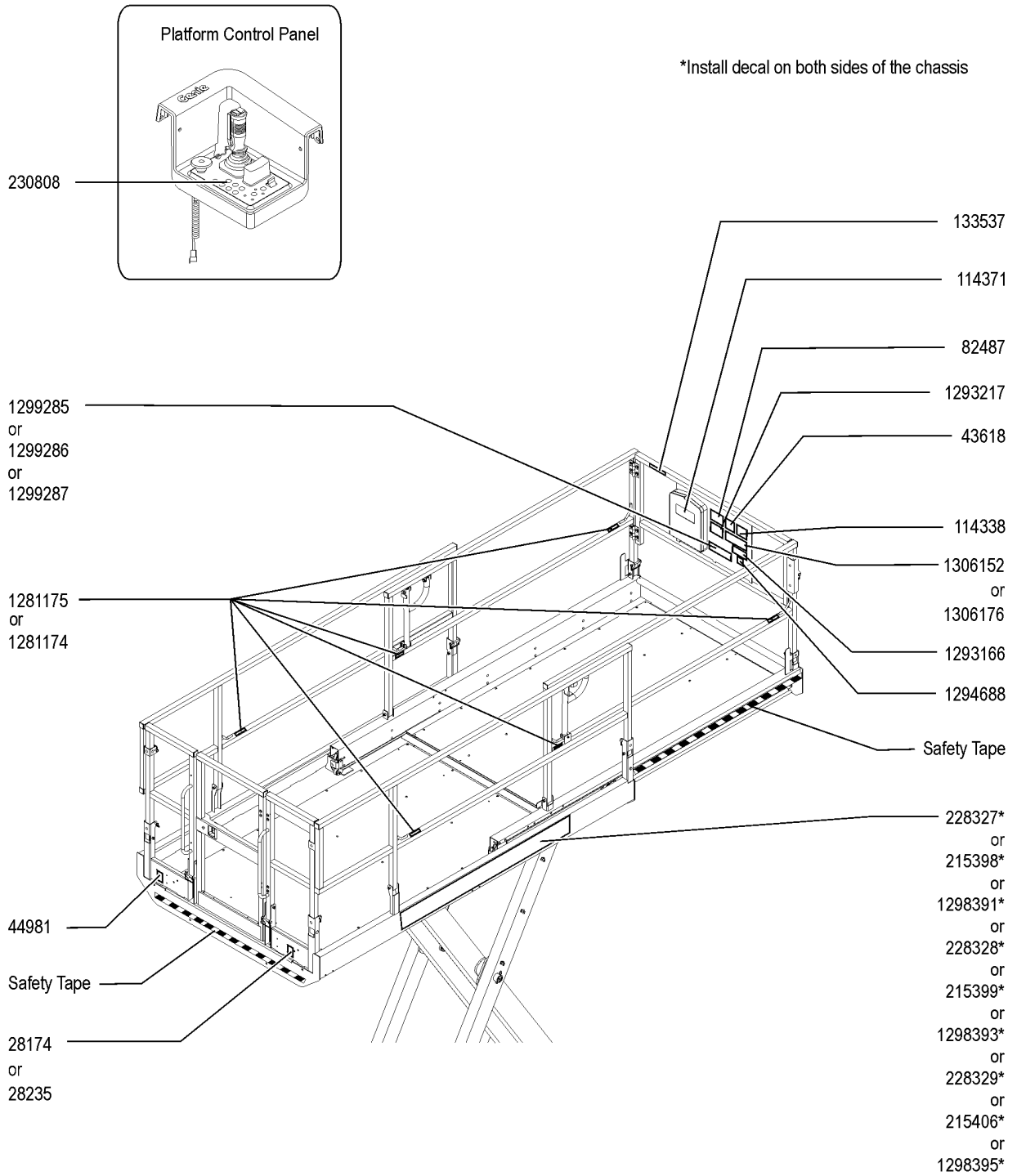


129.1 Decals with Symbol, Control Side (from SN GS69F-18000)

<i>Item</i>	<i>Part No.</i>	<i>Description</i>	<i>Qty.</i>
29	1295448GT	DECAL, GROUND CONTROL PANEL, LS	1
30	1299219GT	DECAL,COSMETIC,4 X 4, BLUE	1
31	1301217GT	DECAL, EMERGENCY LOWERING, GS90/GS69RT	1
32	T114635GT	DECAL,LABEL,WHEEL LD,GS2669RT	2
33	T114636GT	DECAL,LABEL,WHEEL LD,GS3369RT	2
34	T114637GT	DECAL,LABEL,WHEEL LD,GS4069RT	2



130.1 Decals with Symbol, Platform Side (from SN GS69F-18000)

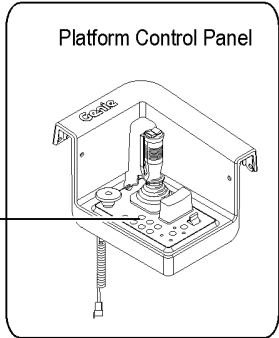


130.1 Decals with Symbol, Platform Side (from SN GS69F-18000)

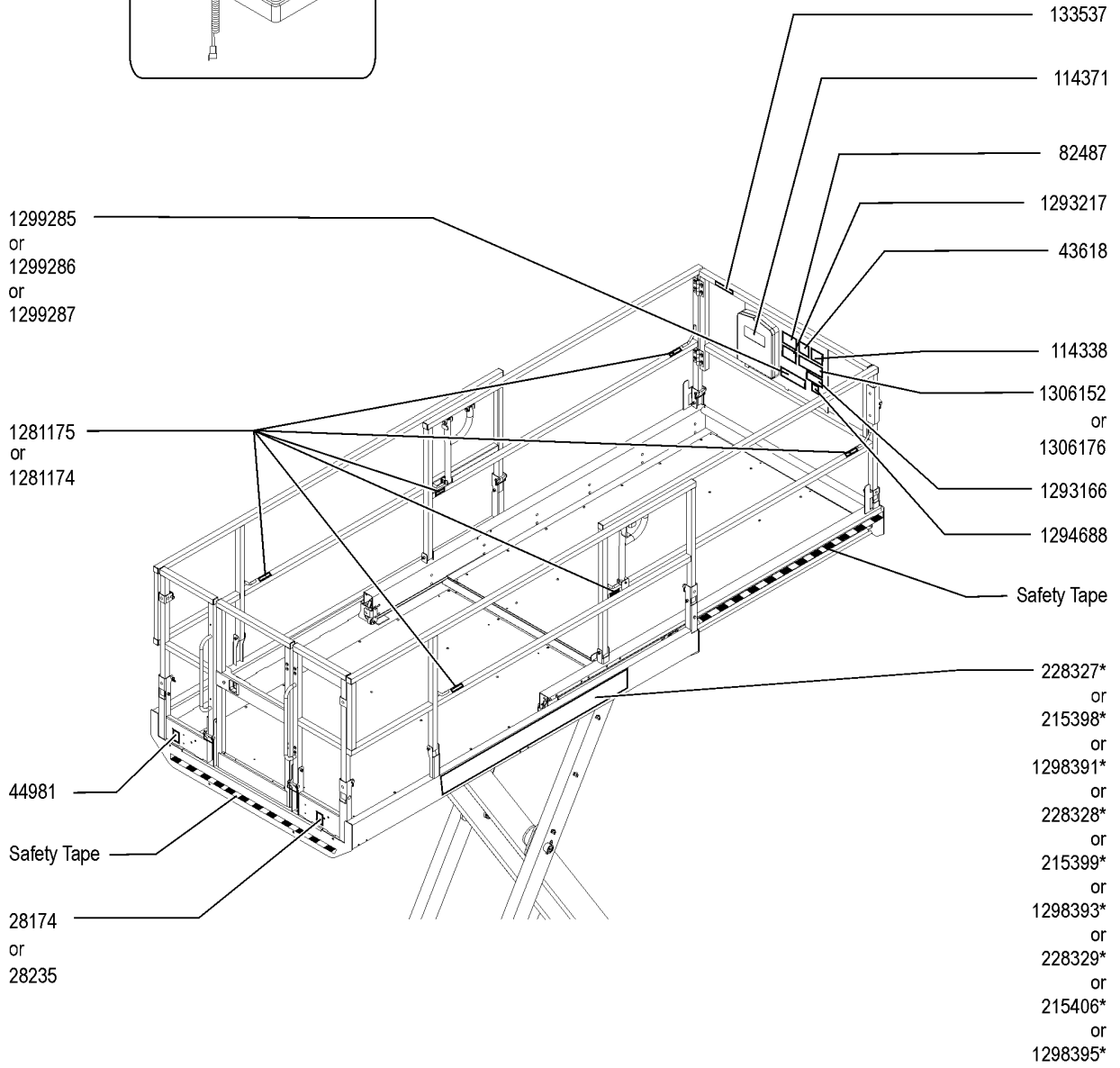
Item	Part No.	Description	Qty.
-	1306825GT	INSTRUCTIONS,INSTALL,PLAT,SYMBOL, GS-69RT	1
-	1306826GT	DECAL KIT, GS-69 RT,PLAT,SYMBOL,ANSI & CE	1
1	28174GT	DECAL,POWER TO PLATFORM 230V	1
2	28235GT	DECAL,POWER TO PLATFORM 115V	1
3	43618GT	DECAL,LABEL-DIRECTION ARROWS	1
4	44981GT	DECAL,LABEL,AIRLINE 110 PSI	1
5	82487GT	DECAL, SYMBOL - READ THE MANUAL	1
6	114338GT	DECAL SYMBOL TIP OVER TILT ALARM	1
7	114371GT	DECAL,DANGER,OUTRIGGER SAFETY	1
8	133537GT	DECAL,CRUSH HAZ RAILS SYMB	1
9	215398GT	DECAL,COSM,BLK,GENIE GS2669RT	2
10	215399GT	DECAL,COSM,BLK,GENIE GS3369RT	2
11	215406GT	DECAL,COSM,BLK,GENIE GS4069RT	2
12	228327GT	DECAL,COSMETIC,GENIE GS-2669RT	2
13	228328GT	DECAL,COSMETIC,GENIE GS-3369RT	2
14	228329GT	DECAL,COSMETIC,GENIE GS-4069RT	2
15	230808GT	DECAL,PLAT CONTROL PANEL GS69	1
16	1281175GT	DECAL,LANYARD,FALL RESTRAINED to SN GS69F-21342	6
16B	1281174GT	DECAL,LANYARD,FALL ARREST/FALL RESTRAINED from SN GS69F-21343	6
17	1293166GT	DECAL,TIP-OVER,CRUSH, GS-1330m	1
18	1293217GT	DECAL SYMBOL ELECTRIC HAZARD GS-1330m	1
19	1294688GT	DECAL,PLATFORM OVERLOAD, MINI	1
20	1298391GT	DECAL, COSMETIC,GENIE GS-2669RT, BLUE	2
21	1298393GT	DECAL, COSMETIC,GENIE GS-3369RT, BLUE	2
22	1298395GT	DECAL, COSMETIC,GENIE GS-4069RT, BLUE	2
23	1299285GT	DECAL, NOTICE, SYMBOL, MAX CAP AND SIDE FORCE, GS2669	1
24	1299286GT	DECAL, NOTICE, SYMBOL, MAX CAP AND SIDE FORCE, GS3369	1
25	1299287GT	DECAL, NOTICE, SYMBOL, MAX CAP AND SIDE FORCE, GS4069	1



130.1 Decals with Symbol, Platform Side (from SN GS69F-18000)



*Install decal on both sides of the chassis

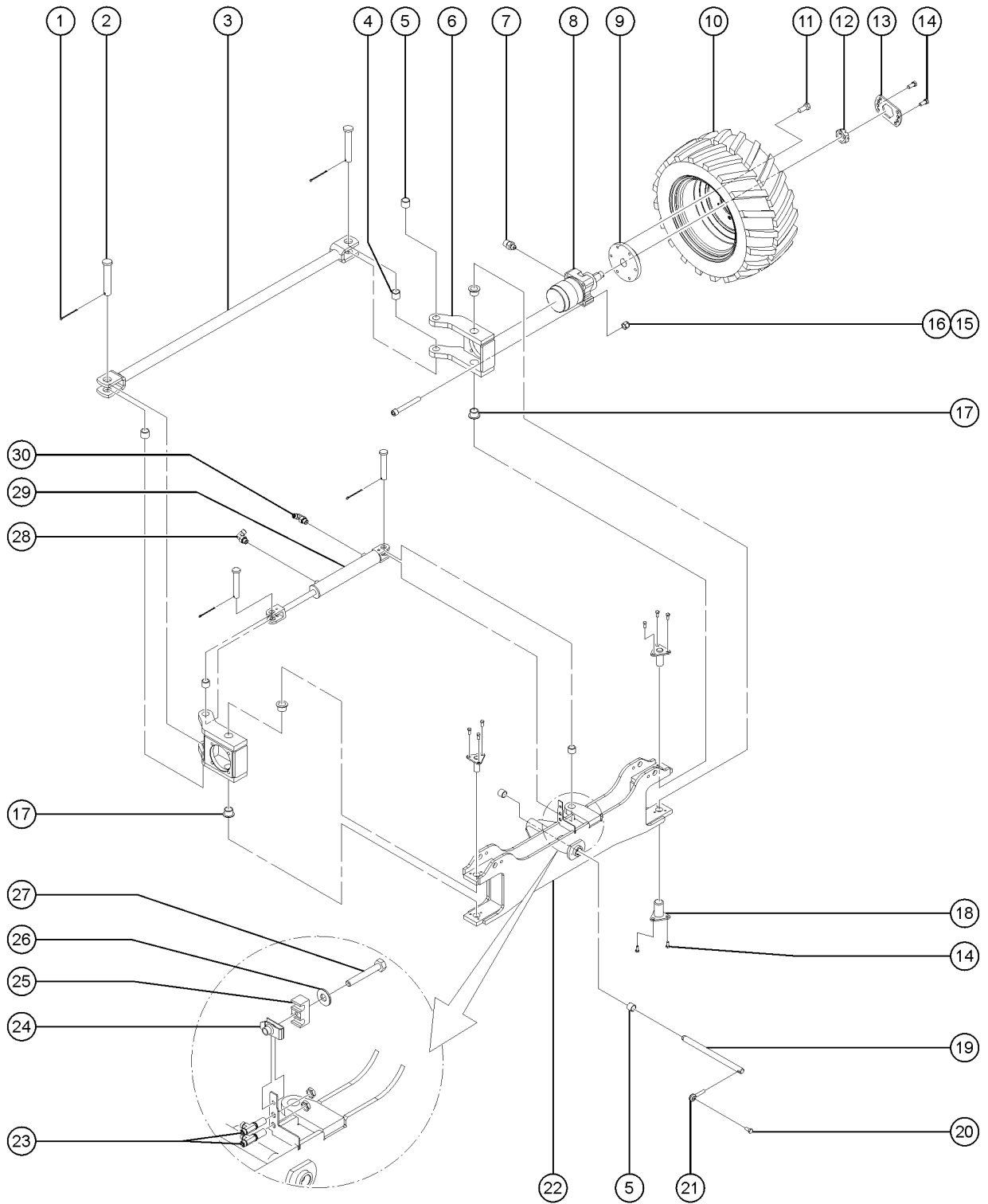


130.1 Decals with Symbol, Platform Side (from SN GS69F-18000)

<i>Item</i>	<i>Part No.</i>	<i>Description</i>	<i>Qty.</i>
26	1306152GT	DECAL, RUNAWAY, GS69RT	1
27	1306176GT	DECAL, RUNAWAY, GS33/4069RT	1



201.1 Steer Axle Linkage, Wheels and Drive Motors

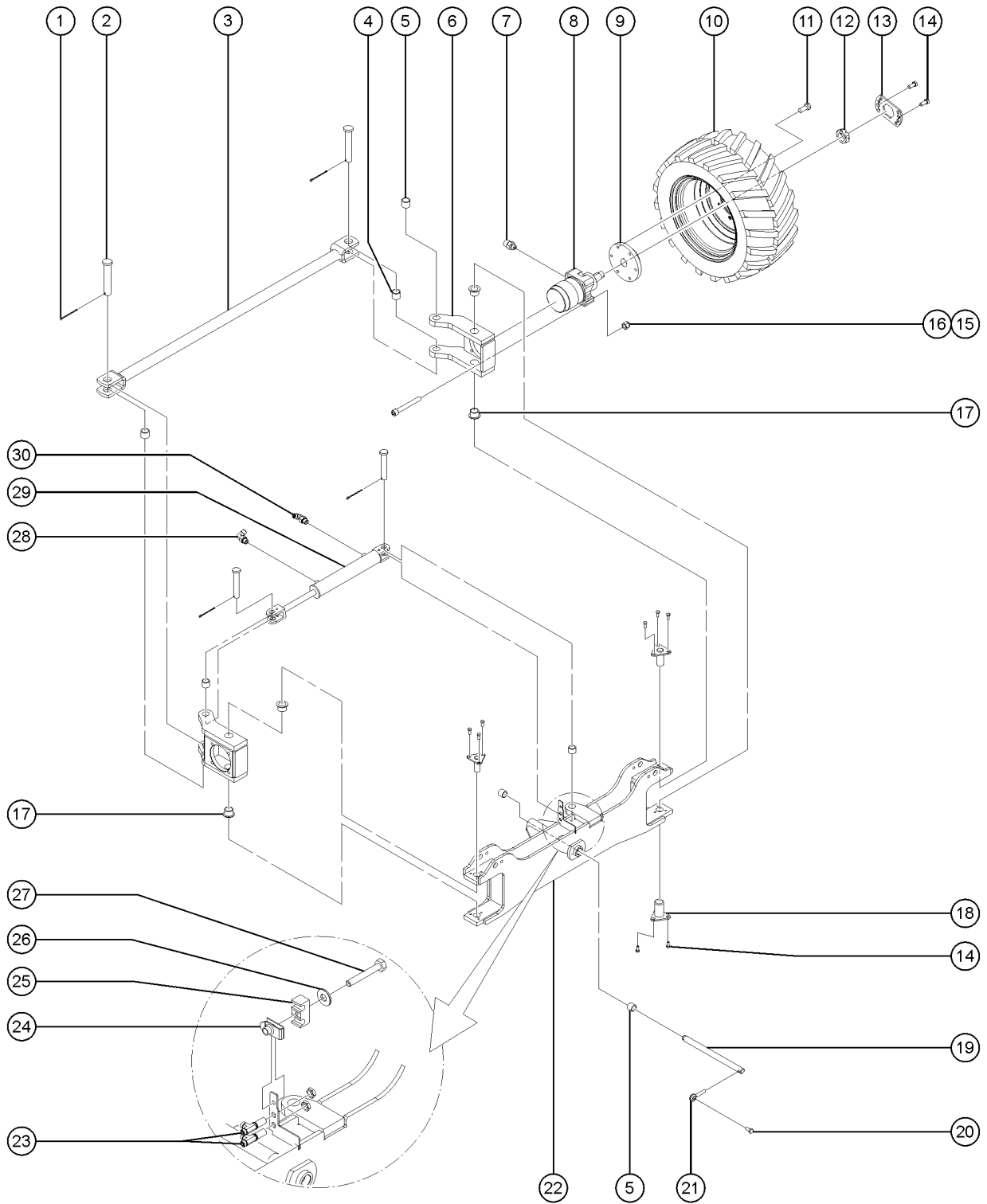


201.1 Steer Axle Linkage, Wheels and Drive Motors

Item	Part No.	Description	Qty.
1	74389GT	RUE RING 1.00	4
2	19440GT	PIN,CLEVIS,1 X 2.5 LG	4
3	1254181GT	WELDMENT,TIE ROD,GS69	1
4	25817GT	BEARING,1.00IDX1.25ODX1.00L	2
5	53452GT	BEARING,1.00IDX1.50ODX1.00L	2
6	1254182GT	ASSY, PAINT,STEER YOKE, RT	2
7	48943GT	FITTING,CONN,520120-8-6	4
8	T109593GT	MOTOR,22.8 CI/REV,GEROTOR	2
		to SN GS69F-20597	
8-	44782GT	SEAL KIT,DR MTR.GS15/19,Z20***	
		for T109593	
8B	1316068GT	MOTOR, 22.8 CI/REV, GEROTOR, ORBITAL	2
		from SN GS69F-20598	
9	47312GT	ADAPTER,WHEEL,GS68/GS69	2
10A	1258626GT	WHEEL ASSY,FOAM,12X26,BLK,LF	1
		RT, Foam-filled, controls side (left front) (water-based foam)	
10A	1258627GT	WHEEL ASSY,FOAM,12X26,BLK,RF	1
		RT, Foam-filled, engine side (right front) (water-based foam)	
10B	1258751GT	WHEEL ASSY,FOAM,12X26,BLK,LF	
		RT, Foam-filled, controls side (left front) (petroleum-based foam)	
10B	1258752GT	WHEEL ASSY,FOAM,12X26,BLK,RF	
		RT, Foam-filled, engine side (right front) (petroleum-based foam)	
10C	1258630GT	WHEEL ASSY,FOAM,12X26,NM,LF	
		RT, Foam-filled, Non-marking, controls side (left front) (water-based foam)	
10C	1258631GT	WHEEL ASSY,FOAM,12X26,NM,RF	
		RT, Foam-filled, Non-marking, engine side (right front) (water-based foam)	
10D	1258755GT	WHEEL ASSY,FOAM,12X26,NM,LF	
		RT, Foam-filled, Non-marking, controls side (left front) (petroleum-based foam)	
10D	1258756GT	WHEEL ASSY,FOAM,12X26,NM,RF	
		RT, Foam-filled, Non-marking, engine side (right front) (petroleum-based foam)	
11	148426GT	LUG BOLT,45 DEG,1/2-20 UNF	12
12	44780GT	NUT,CASTLE,1.125-18 UNEF	2
13	T109085GT	PLATE, CASTLE NUT LOCK	2
14	49857GT	SCREW,HHC,3/8-16 X .88,GRD 8	16
15	6198GT	NUT, NYLOCK, 1/2-13	8
16	42360GT	SCREW,SHC,1/2-13 X 4 ZINC	8
17	148353GT	BEARING,BRZ,FL,1.25X1.50X1.1	4
18	131616GT	WELDMENT,KING PIN	4
19	237340GT	PIN,OSC PIVOT	1



201.1 Steer Axle Linkage, Wheels and Drive Motors

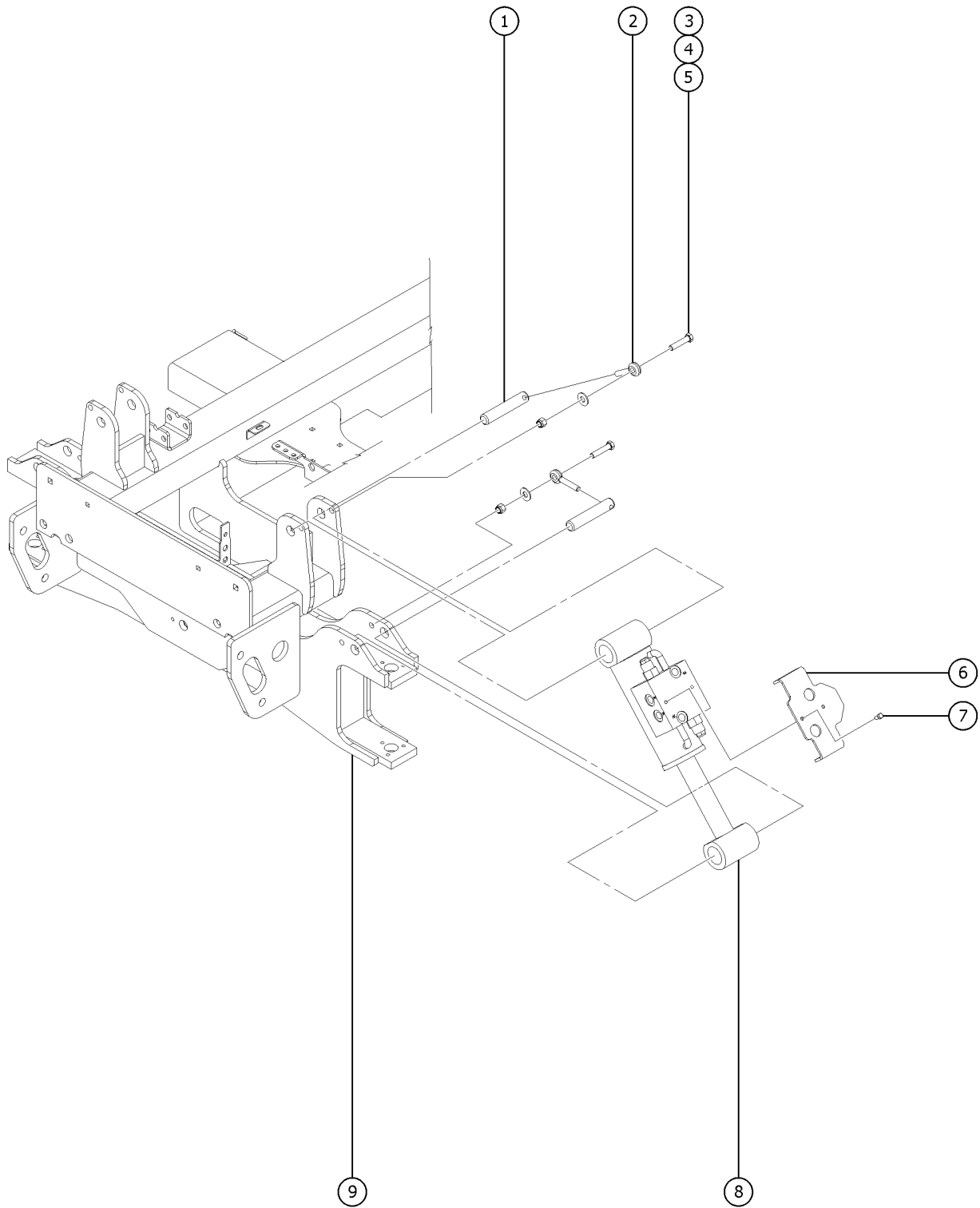


201.1 Steer Axle Linkage, Wheels and Drive Motors

Item	Part No.	Description	Qty.
20	8255GT	SCREW,HHC,3/8-16 X .75	1
21	1255452GT	ROD END,.375 X 2.25,ZAG	1
22	1254180GT	WELDMENT,OSC.AXLE	1
23	48909GT	TEE,BULKHEAD,RUN,520958-4	2
24	56912GT	SPRING CLIP,1/4-20,.025-.15X.54,ZAG to SN GS69F-20864	1
25	148396GT	CLAMP,HOSE,2X#4,GS69 to SN GS69F-20864	1
26	6638GT	WASHER, FLAT, USS, 1/4"Y	1
27	6637GT	SCREW,HHC,1/4-20 X 1.75	1
28	48911GT	ELBOW,90D,520220-4-6***	2
29	1305757GT	CYLINDER, STEER from SN GS69F-18655	1
29-	1298531GT	SEAL KIT, STEER CYL	
30	48912GT	CONN,520120-4-6***	1



202.1 Steer Axle Linkage, Oscillation

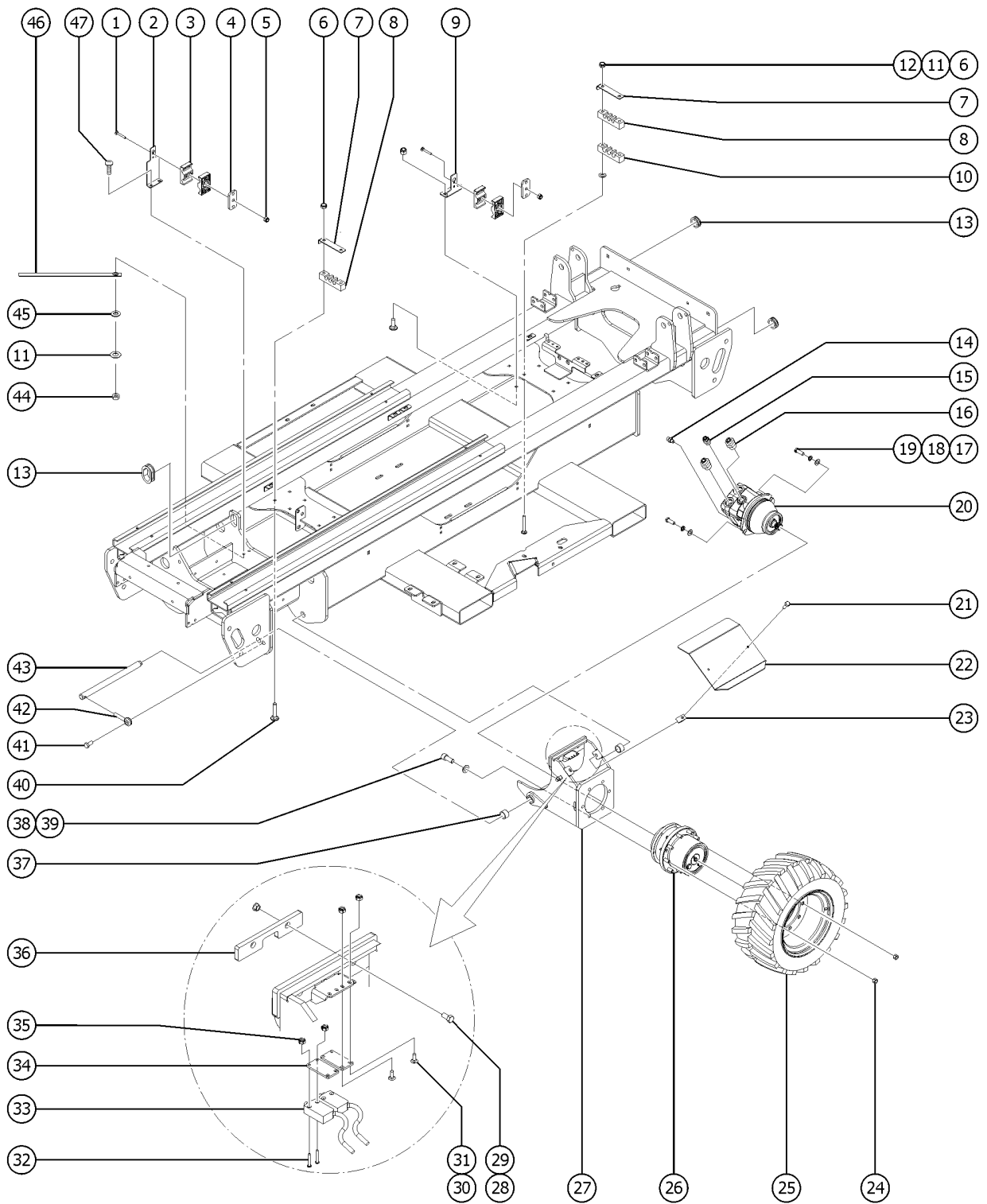


202.1 Steer Axle Linkage, Oscillation

Item	Part No.	Description	Qty.
1	67387GT	PIN,1.00DIAX5.27LG,1HOLE	4
2	1255452GT	ROD END,.375 X 2.25,ZAG	4
3	13918GT	SCREW,HHC,3/8-16 X 1.75,GRD.8	4
4	6097GT	WASHER, FLAT, USS, 3/8", Y	4
5	4828GT	NUT, NYLOCK, 3/8-16	4
6	1254184GT	FORMING,OSC.COVER,GS69 Available as a service part, Identifier: Oscillate cylinder stamped with 131621 on cylinder manifold, (to SN GS69F-17644) ..	2
6B	1304111GT	FORMING, OSC COVER, SHORT	2
		Available as a service part, Identifier: Oscillate cylinder stamped with MFG.CODE-YEAR-MONTH-1298672 on rod side of barrel, (from SN GS69F-17645)	
7	7339GT	SCREW,HHC,1/4-20 X .5	4
8		Ref. CYLINDER,OSCILATING,GS69	
		(refer to 704.1)	
9		Ref. WELDMENT,OSC.AXLE	1
		(refer to 201.1)	



203.1 Non-Steer Axle and Drive Motors, GS-2669, GS-3369

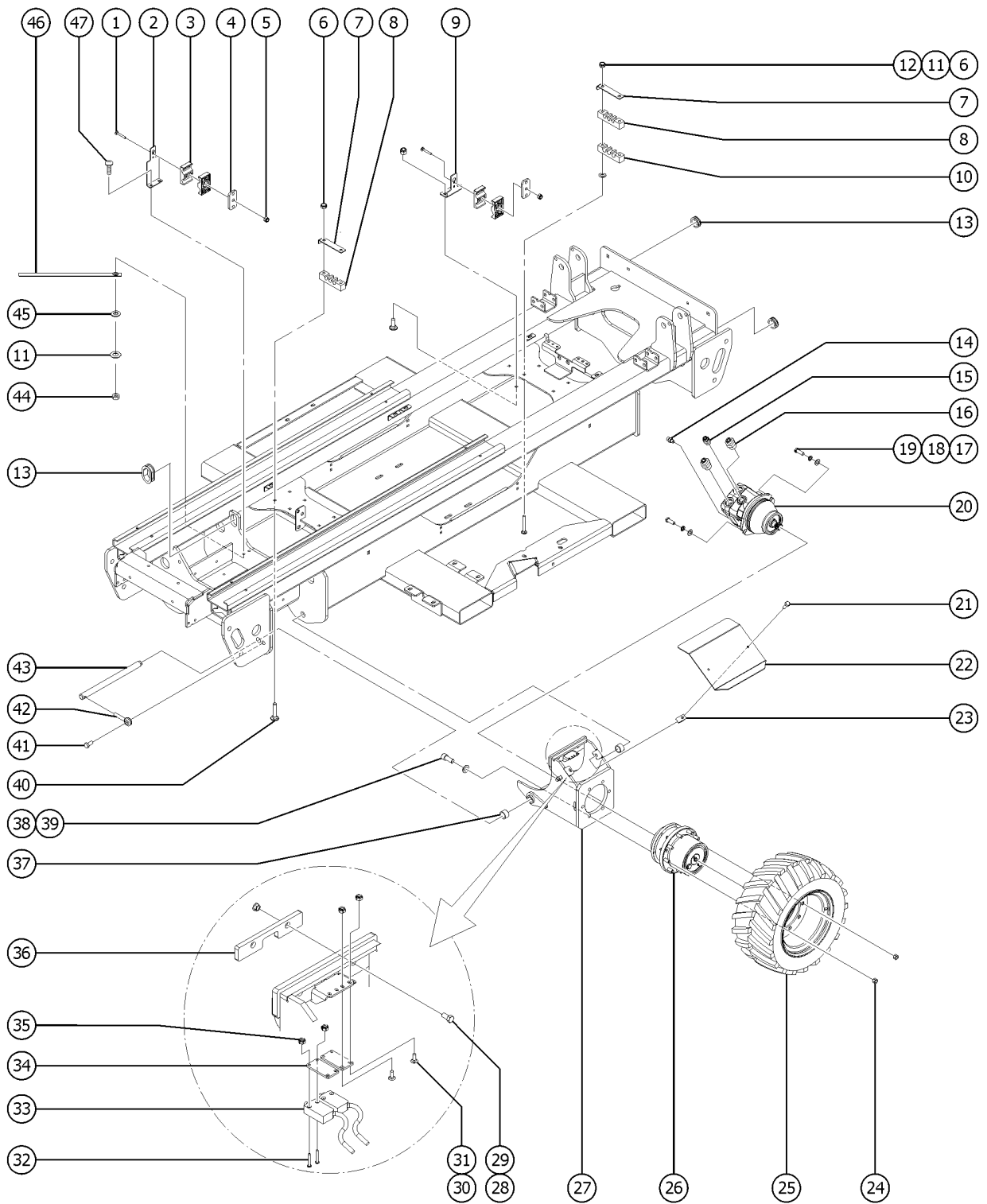


203.1 Non-Steer Axle and Drive Motors, GS-2669, GS-3369

Item	Part No.	Description	Qty.
1	96905GT	BOLT, CARRIAGE, 1/4-20 X 2.5, G2	4
2	1254437GT	FORMING, REAR DRIVE HOSE CLAMP (GS-2669RT & GS-3369RT)	
3	78736GT	CLAMP, 2 HOSE, PLASTIC, 5/8 (GS-2669RT & GS-3369RT)	8
4	58592GT	PLATE, HOSE ROUTG, BULKHEAD(PTD) (GS-2669RT & GS-3369RT)	4
5	6091GT	NUT, NYLOCK, 1/4-20 (GS-2669RT & GS-3369RT)	4
6	7713GT	NUT, LP NYLOCK, 3/8-16 (GS-2669RT & GS-3369RT)	8
7	1254175GT	FORMING, CLAMP, CHASSIS, FRONT	4
8	T109744GT	CLAMP, HOSE, FRONT, 3X#4	4
9	1254176GT	FORMING, DRIVE HOSE CLAMP MOUNT	2
10	T109745GT	CLAMP, HOSE, FRONT, 2X#4, #6	2
11	87684GT	PUSH RETAINER FOR 3/8" THRD SCREW	4
12	112476GT	BOLT, CARRIAGE, 3/8-16X2.75, G5	4
13	T109739GT	GROMMET, RUBBER, 1.75 ID	12
14	48905GT	CONNECTOR, 520120-4	4
15	48930GT	CONN, 520120-6-8	2
16	48948GT	CONN, 520120-8-12	4
17	88296GT	SCREW, HHC, 7/16-14 X 1.25	4
18	20912GT	WASHER, LOCK, .437, PLTD	4
19	106134GT	WASHER, FLAT, HARDENED 7/16	4
20	101586GT	MOTOR, PISTON, 25CC, 6.5 DEG, 13T	2
20-	106098GT	SEAL KIT, MOTOR, LC/KC***	
20-	106118GT	O-RING, 2-157, VITON*** To SN GS69F-20737	
20-	102158GT	O-RING, .103 X 4.737, VITON, 75D From SN GS69F-20738	
20-	106117GT	O-RING, 2-010, VITON	
21	6090GT	SCREW, HHC, 1/4-20 X .75	4
22	1254178GT	COVER, REAR AXLE	2
23	56912GT	SPRING CLIP, 1/4-20, .025-.15X.54, ZAG	4
24	54627GT	NUT, LUG, 5/8-18X 90 DEGREE	18



203.1 Non-Steer Axle and Drive Motors, GS-2669, GS-3369

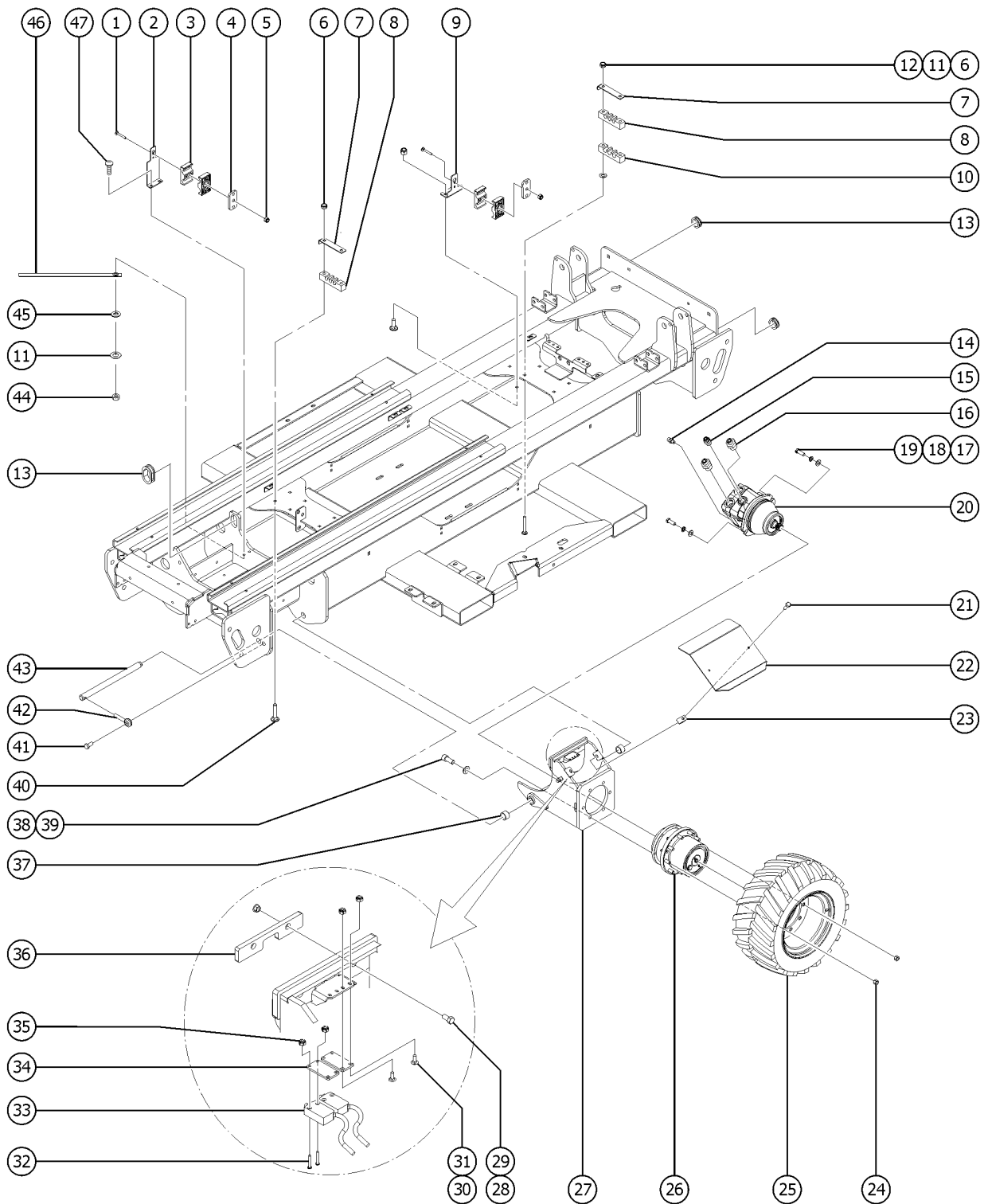


203.1 Non-Steer Axle and Drive Motors, GS-2669, GS-3369

Item	Part No.	Description	Qty.
25A	1258624GT	WHEEL ASSY,FOAM,12X26,BLK,LR RT, Foam-filled, controls side (left rear) (water-based foam)	1
25A	1258625GT	WHEEL ASSY,FOAM,12X26,BLK,RR RT, Foam-filled, engine side (right rear) (water-based foam)	1
25B	1258749GT	WHEEL ASSY,FOAM,12X26,BLK,LR RT, Foam-filled, controls side (left rear) (petroleum-based foam)	1
25B	1258750GT	WHEEL ASSY,FOAM,12X26,BLK,RR RT, Foam-filled, engine side (right rear) (petroleum-based foam)	1
25C	1258628GT	WHEEL ASSY,FOAM,12X26,NM,LR RT, Foam-filled, Non-marking, controls side (left rear) (water-based foam)	1
25C	1258629GT	WHEEL ASSY, FOAM,12X26,NM,RR RT, Foam-filled, Non-marking, engine side (right rear) (water-based foam)	1
25D	1258753GT	WHEEL ASSY,FOAM,12X26,NM,LR RT, Foam-filled, Non-marking, controls side (left rear) (petroleum-based foam)	1
25D	1258754GT	WHEEL ASSY,FOAM,12X26,NM,RR RT, Foam-filled, Non-marking, engine side (right rear) (petroleum-based foam)	1
26	T110637GT	WHEEL DRIVE W/ BRAKE,48.1	2
26-	230849GT	WHEEL STUD,5/8-18X67MM	9
26-	233041GT	SEAL KIT, WHEEL DRIVE	
26-	139968GT	O-RING,END COVER,OMNI***	
26-	106118GT	O-RING,2-157,VITON*** (Motor to Hub O-ring) , To SN GS69F-20737	
26-	102158GT	O-RING,.103 X 4.737,VITON, 75D From SN GS69F-20738	
26-	139966GT	ROD,DISCONNECT,OMNI***	
26-	139967GT	CAP,DISENGAGE,OMNI***	
26-	139969GT	LINING KIT,BRAKE,OMNI***	
26-	139970GT	SEAL KIT,BRAKE,OMNI***	
26-	139971GT	BEARING KIT,OMNI***	
26-	147033GT	O-RING,PIPE PLUG KIT,OMNI***	
26-	147034GT	PIPE PLUG KIT,OMNI***	
26-	106117GT	O-RING,2-010,VITON (Mating O-ring for Brake Port)(Extremely small)	
27	1267290GT	SUBASSY, IC REAR AXLE (includes item 37)	2
28	33987GT	SCREW,HHC,1/2-13 X 1, GR 5	4
29	96320GT	NUT,LOCKING-LG.FLANGE, 1/2-13	4
30	1283121GT	BOLT,CARRIAGE,#10-24X 5/8",G2	8
31	5365GT	NUT,NYLOCK,10-24	8
32	18540GT	SCREW,RHM,8-32 X 1	8



203.1 Non-Steer Axle and Drive Motors, GS-2669, GS-3369

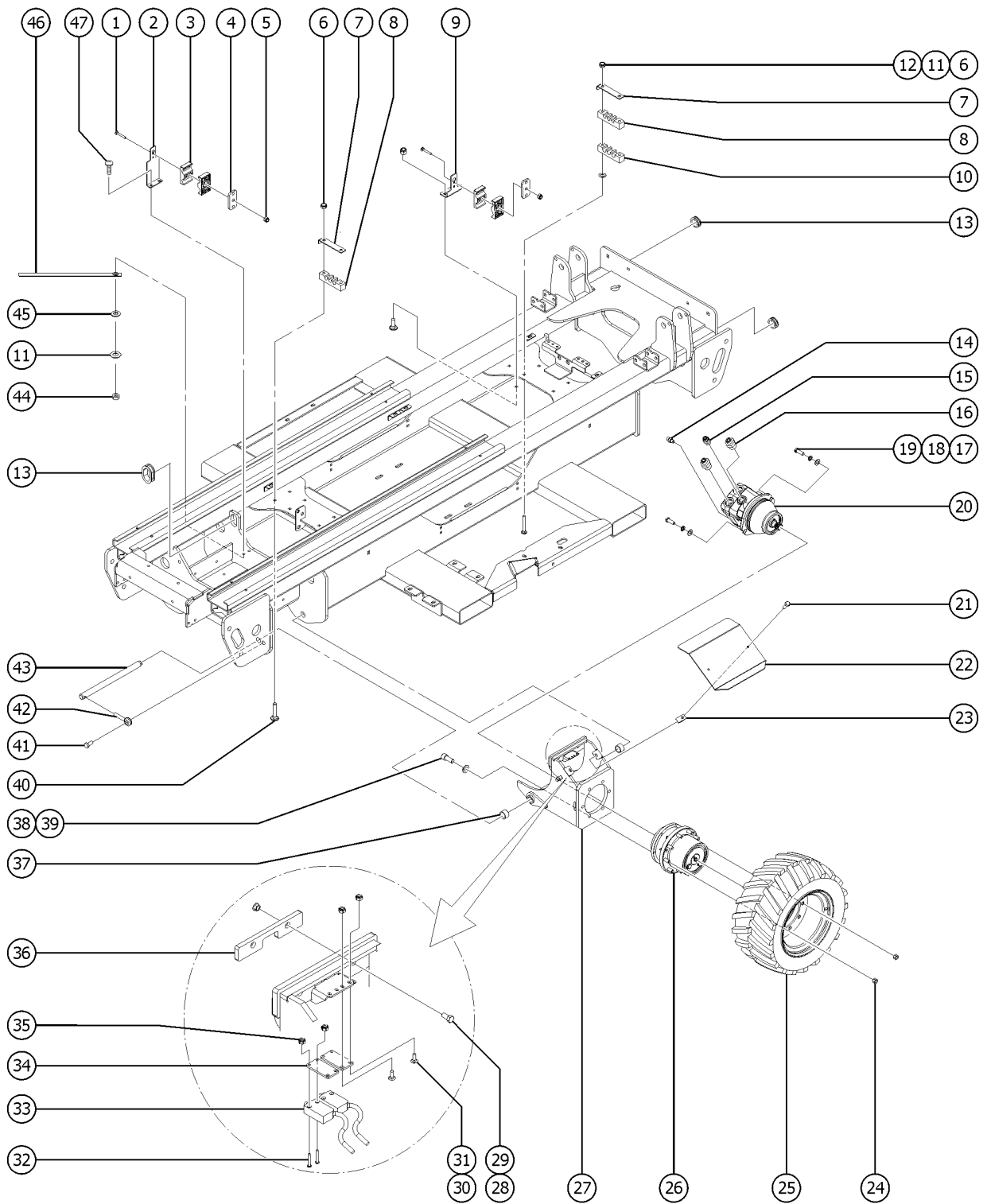


203.1 Non-Steer Axle and Drive Motors, GS-2669, GS-3369

<i>Item</i>	<i>Part No.</i>	<i>Description</i>	<i>Qty.</i>
33	148236GT	SWITCH,LIMIT,PLUNGER,SMALL	4
34	1254177GT	PLATE,SENSE AXLE SWITCH	4
35	18605GT	NUT,NYLOCK,8-32	4
36	131639GT	PAD,SENSE AXLE REST	2
37	51474GT	BEARING,1.00IDX1.25ODX0.75L	4
38	112512GT	SCREW,SHC,5/8-11 X 1.5 NDPATCH	12
39	13064GT	WASHER,FLAT,.625 HARDENED	12
40	112572GT	BOLT,CARRIAGE,3/8-16X1.75	4
41	8255GT	SCREW,HHC,3/8-16 X .75	2
42	1255452GT	ROD END,.375 X 2.25,ZAG	2
43	237340GT	PIN,OSC PIVOT	2
44	4828GT	NUT, NYLOCK, 3/8-16	
45	6097GT	WASHER, FLAT, USS, 3/8", Y	
46	107578GT	GROUND STRAP,24"LONG from SN GS69F-15204	
47	105092GT	BOLT,CARRIAGE,3/8-16X1.25,GR5	



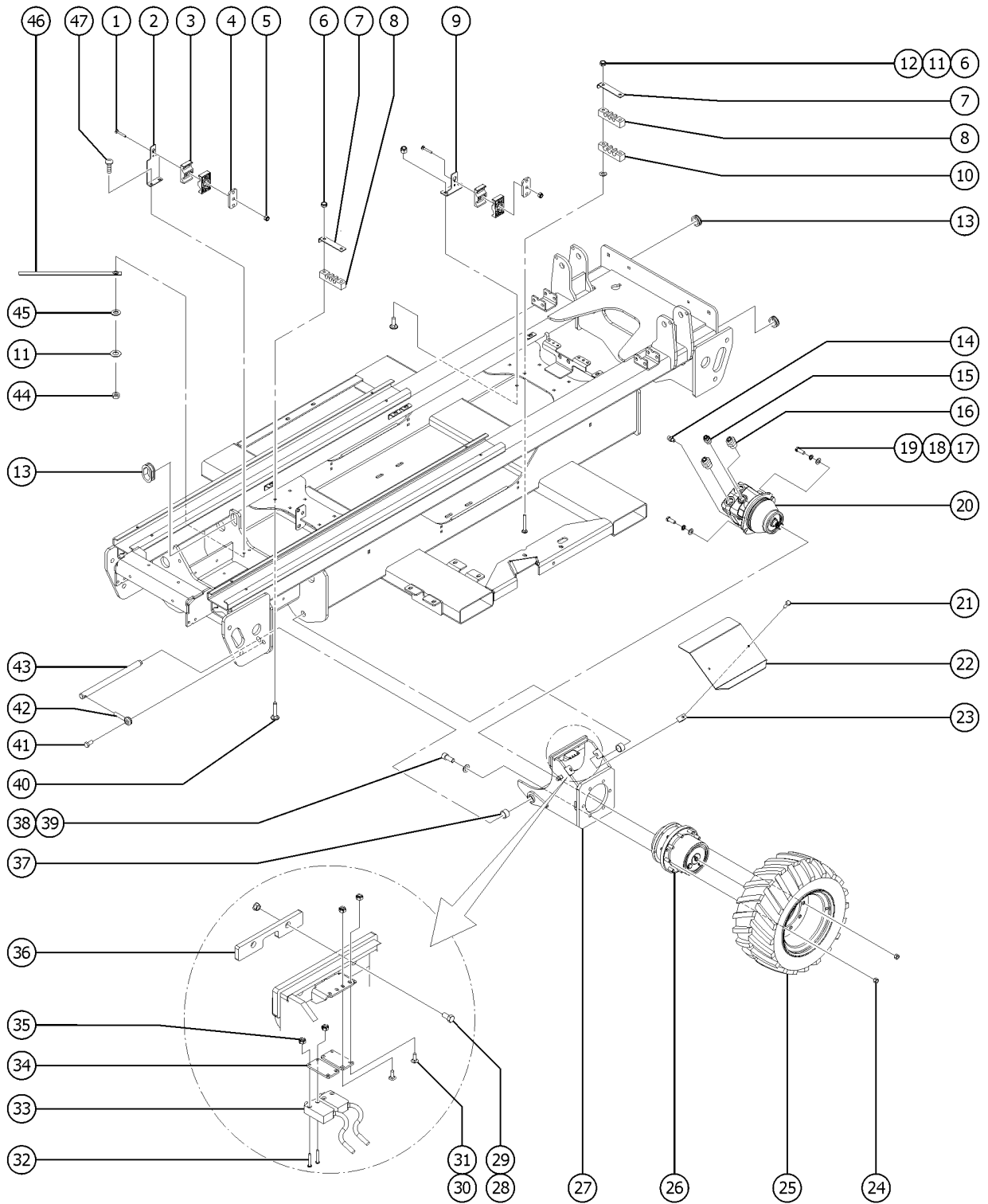
203.2 Non-Steer Axle and Drive Motors, GS-4069



Item	Part No.	Description	Qty.
6	7713GT	NUT, LP NYLOCK, 3/8-16	8
7	1254175GT	FORMING,CLAMP,CHASSIS,FRONT	4
8	T109744GT	CLAMP,HOSE,FRONT,3X#4	4
9	1254176GT	FORMING,DRIVE HOSE CLAMP MOUNT	2
10	T109745GT	CLAMP,HOSE,FRONT,2X#4,#6	2
11	87684GT	PUSH RETAINER FOR 3/8"THR D SCREW	4
12	112476GT	BOLT,CARRIAGE,3/8-16X2.75,G5	4
13	T109739GT	GROMMET,RUBBER,1.75 ID	12
14	48905GT	CONNECTOR, 520120-4	4
15	48930GT	CONN,520120-6-8	2
16	48948GT	CONN,520120-8-12	4
17	88296GT	SCREW,HHC,7/16-14 X 1.25	4
18	20912GT	WASHER,LOCK,.437,PLTD	4
19	106134GT	WASHER,FLAT,HARDENED 7/16	4
20	101586GT	MOTOR, PISTON, 25CC, 6.5 DEG, 13T	2
20-	106098GT	SEAL KIT,MOTOR,LC/KC***	
20-	106118GT	O-RING,2-157,VITON*** To SN GS69F-20737	
20-	102158GT	O-RING,.103 X 4.737,VITON, 75D From SN GS69F-20738	
20-	106117GT	O-RING,2-010,VITON	
21	6090GT	SCREW, HHC, 1/4-20 X .75	4
22	1254178GT	COVER,REAR AXLE	2
23	56912GT	SPRING CLIP,1/4-20,.025-.15X.54,ZAG	4
24	54627GT	NUT,LUG,5/8-18X 90 DEGREE	18
25A	1258624GT	WHEEL ASSY,FOAM,12X26,BLK,LR RT, Foam-filled, controls side (left rear) (water-based foam)	1
25A	1258625GT	WHEEL ASSY,FOAM,12X26,BLK,RR RT, Foam-filled, engine side (right rear) (water-based foam)	1
25B	1258749GT	WHEEL ASSY,FOAM,12X26,BLK,LR RT, Foam-filled, controls side (left rear) (petroleum-based foam)	1
25B	1258750GT	WHEEL ASSY,FOAM,12X26,BLK,RR RT, Foam-filled, engine side (right rear) (petroleum-based foam)	1
25C	1258628GT	WHEEL ASSY,FOAM,12X26,NM,LR RT, Foam-filled, Non-marking, controls side (left rear) (water-based foam)	1



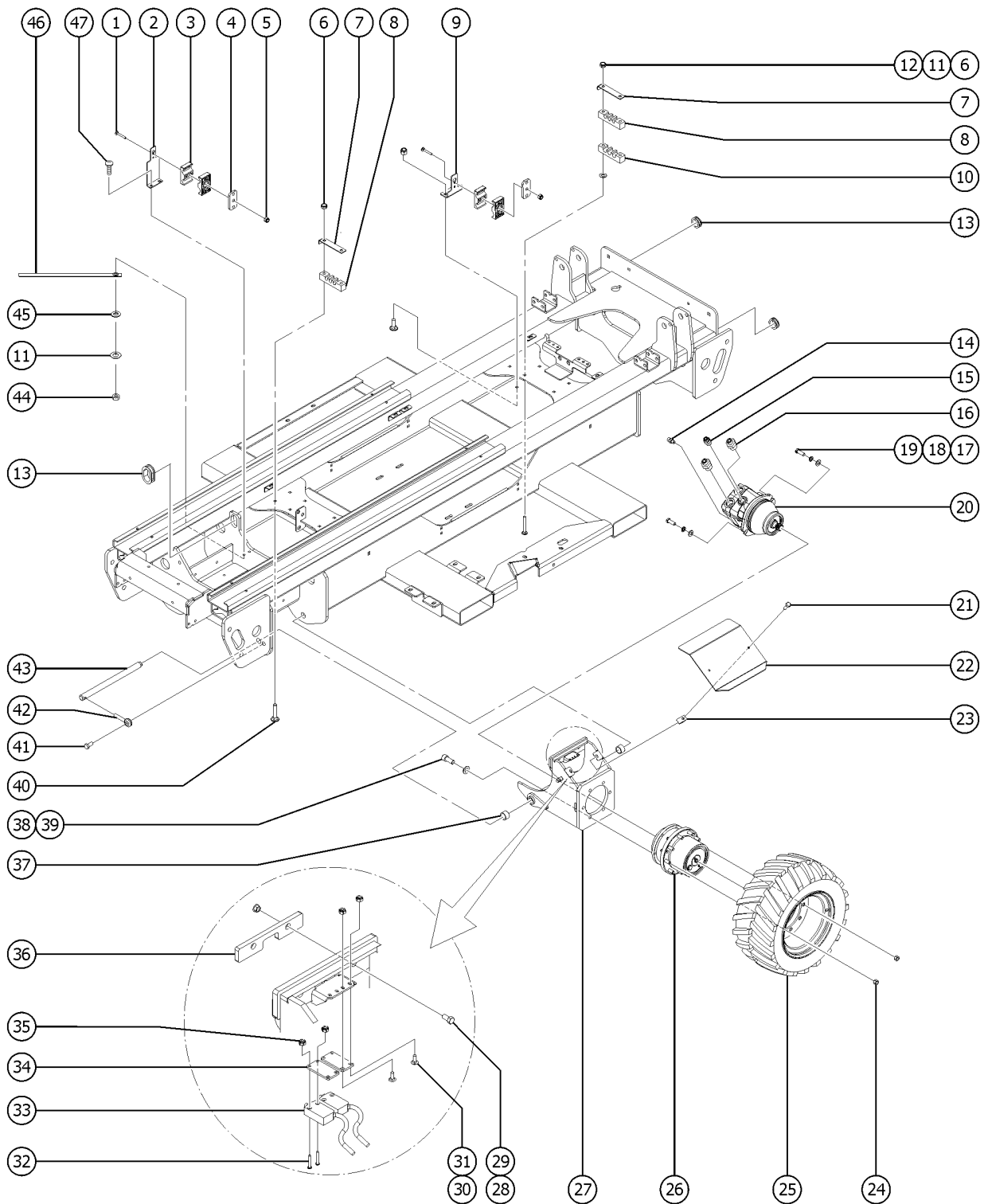
203.2 Non-Steer Axle and Drive Motors, GS-4069



Item	Part No.	Description	Qty.
25C	1258629GT	WHEEL ASSY, FOAM,12X26,NM,RR RT, Foam-filled, Non-marking, engine side (right rear) (water-based foam)	1
25D	1258753GT	WHEEL ASSY, FOAM,12X26,NM,LR RT, Foam-filled, Non-marking, controls side (left rear) (petroleum-based foam)	1
25D	1258754GT	WHEEL ASSY,FOAM,12X26,NM,RR RT, Foam-filled, Non-marking, engine side (right rear) (petroleum-based foam)	1
26	T110637GT	WHEEL DRIVE W/ BRAKE,48.1	2
26-	230849GT	WHEEL STUD,5/8-18X67MM	9
26-	233041GT	SEAL KIT, WHEEL DRIVE	
26-	139968GT	O-RING,END COVER,OMNI***	
26-	139966GT	ROD,DISCONNECT,OMNI***	
26-	139967GT	CAP,DISENGAGE,OMNI***	
26-	139969GT	LINING KIT,BRAKE,OMNI***	
26-	139970GT	SEAL KIT,BRAKE,OMNI***	
26-	139971GT	BEARING KIT,OMNI***	
26-	147033GT	O-RING,PIPE PLUG KIT,OMNI***	
26-	147034GT	PIPE PLUG KIT,OMNI***	
26-	106118GT	O-RING,2-157,VITON*** (Motor to Hub O-ring) , To SN GS69F-20737	
26-	102158GT	O-RING,.103 X 4.737,VITON, 75D From SN GS69F-20738	
26-	106117GT	O-RING,2-010,VITON (Mating O-ring for Brake Port)(Extremely small)	
27	1267290GT	SUBASSY, IC REAR AXLE	2
28	33987GT	SCREW,HHC,1/2-13 X 1, GR 5	4
29	96320GT	NUT,LOCKING-LG.FLANGE, 1/2-13	4
30	1283121GT	BOLT,CARRIAGE,#10-24X 5/8",G2	8
31	5365GT	NUT,NYLOCK,10-24	8
32	18540GT	SCREW,RHM,8-32 X 1	8
33	148236GT	SWITCH,LIMIT,PLUNGER,SMALL	4
34	1254177GT	PLATE,SENSE AXLE SWITCH	4
35	18605GT	NUT,NYLOCK,8-32	4
36	131639GT	PAD,SENSE AXLE REST	2
37	51474GT	BEARING,1.00IDX1.25ODX0.75L	4



203.2 Non-Steer Axle and Drive Motors, GS-4069

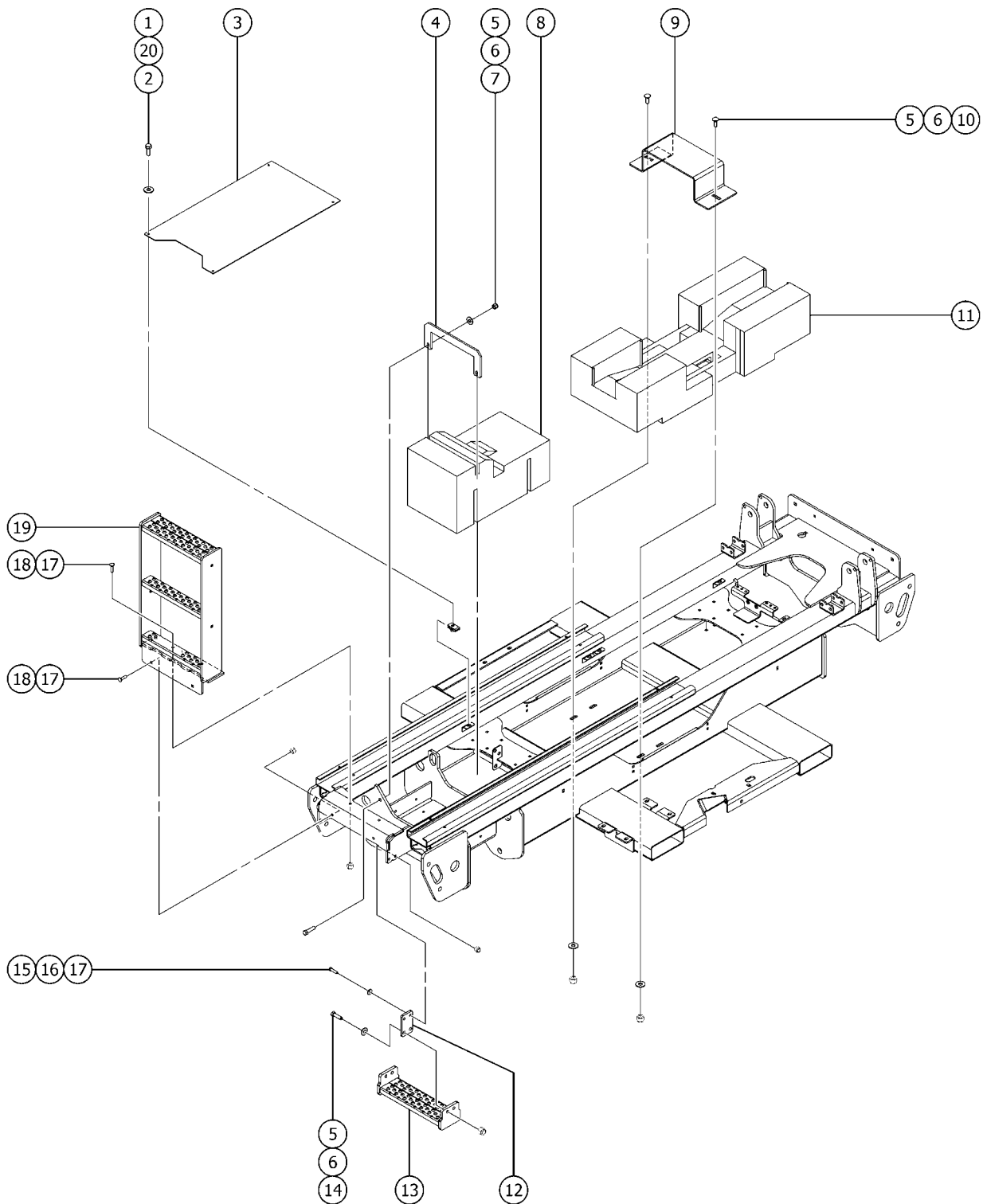


203.2 Non-Steer Axle and Drive Motors, GS-4069

<i>Item</i>	<i>Part No.</i>	<i>Description</i>	<i>Qty.</i>
38	112512GT	SCREW,SHC,5/8-11 X 1.5 NDPATCH	12
39	13064GT	WASHER,FLAT,.625 HARDENED	12
40	112572GT	BOLT,CARRIAGE,3/8-16X1.75	4
41	8255GT	SCREW,HHC,3/8-16 X .75	2
42	1255452GT	ROD END,.375 X 2.25,ZAG	2
43	237340GT	PIN,OSC PIVOT	2
44	4828GT	NUT, NYLOCK, 3/8-16	
45	6097GT	WASHER, FLAT, USS, 3/8", Y	
46	54436GT	GROUND STRAP, 18"LG from SN GS69F-15204, for non-marking tires only	1
47	105092GT	BOLT,CARRIAGE,3/8-16X1.25,GR5	



204.1 Ladder and Counterweight, GS-2669, GS-3369

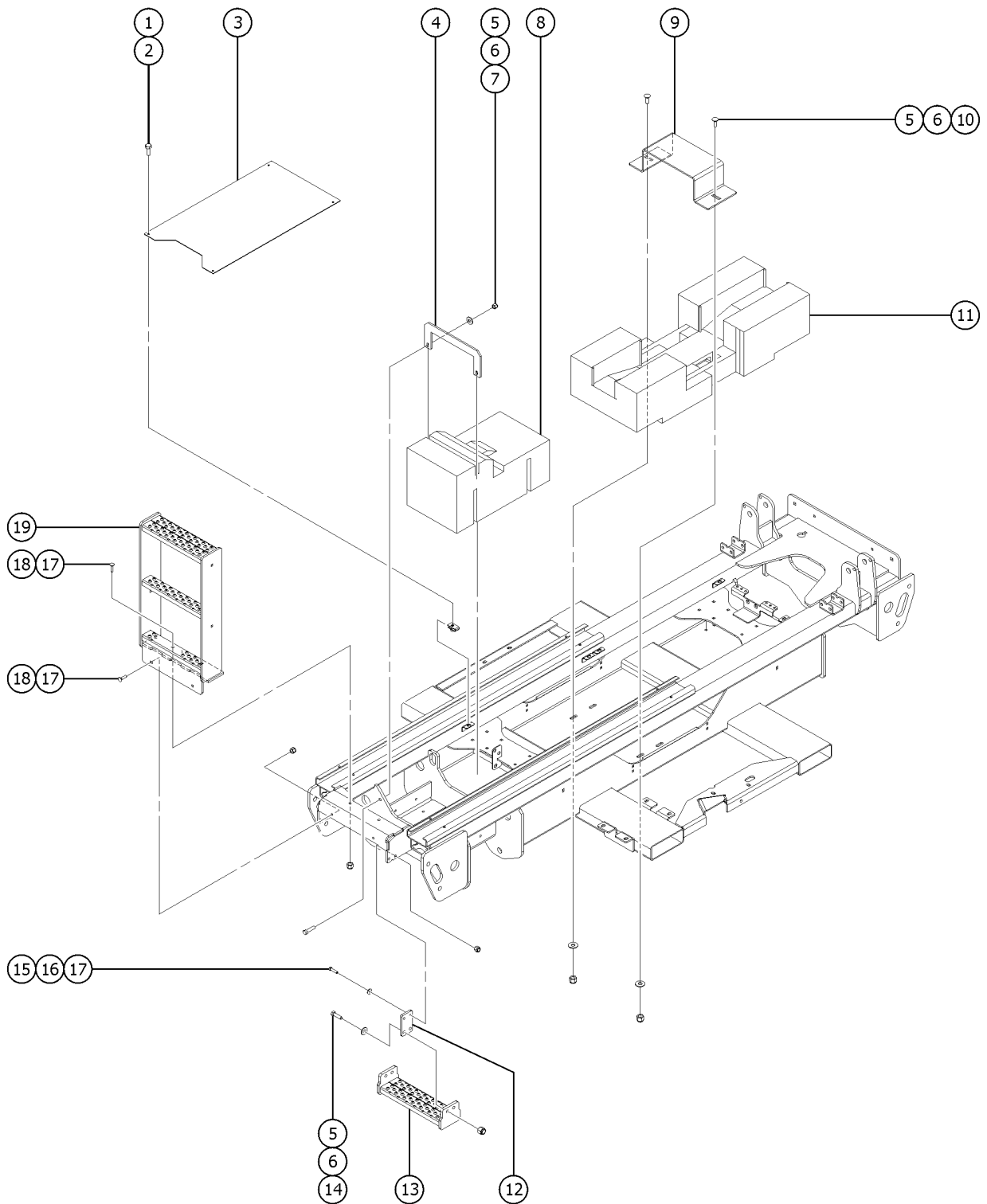


204.1 Ladder and Counterweight, GS-2669, GS-3369

Item	Part No.	Description	Qty.
1	6090GT	SCREW, HHC, 1/4-20 X .75	8
2	56912GT	SPRING CLIP, 1/4-20, .025-.15X.54,ZAG	8
3	1254174GT	FORMING, CHASSIS COVER	2
5	6198GT	NUT, NYLOCK, 1/2-13	8
6	6095GT	WASHER, FLAT, USS, 1/2", Y	8
7	6096GT	SCREW, HHC, 1/2-13 X 2 GR5	2
10	96977GT	BOLT, CARRIAGE, 1/2-13X1.50, GR5	2
12	148403GT	STRAP, RUBBER STEP SUPPORT	2
13	1254187GT	WELDMENT, LOWER LADDER STEP	1
14	22788GT	SCREW, HHC, 1/2-13 X 1.75	4
15	8516GT	SCREW, HCC, 3/8-16 X 1.50	4
16	6097GT	WASHER, FLAT, USS, 3/8", Y	4
17	4828GT	NUT, NYLOCK, 3/8-16	8
18	60790GT	BOLT, CARRIAGE, 3/8-16 X1.50, G5	4
19	1254189GT	WELDMENT, LADDER, GS26/3369 (GS-2669 RT and GS-3369 RT) (decals not included, refer to 100) to SN GS69F-21752 ...	1
19B	1323169GT	WELDMENT, LADDER, GS26/3369 from SN GS69F-21753	1
20	6638GT	WASHER, FLAT, USS, 1/4"Y	4



204.2 Ladder and Counterweight, GS-4069

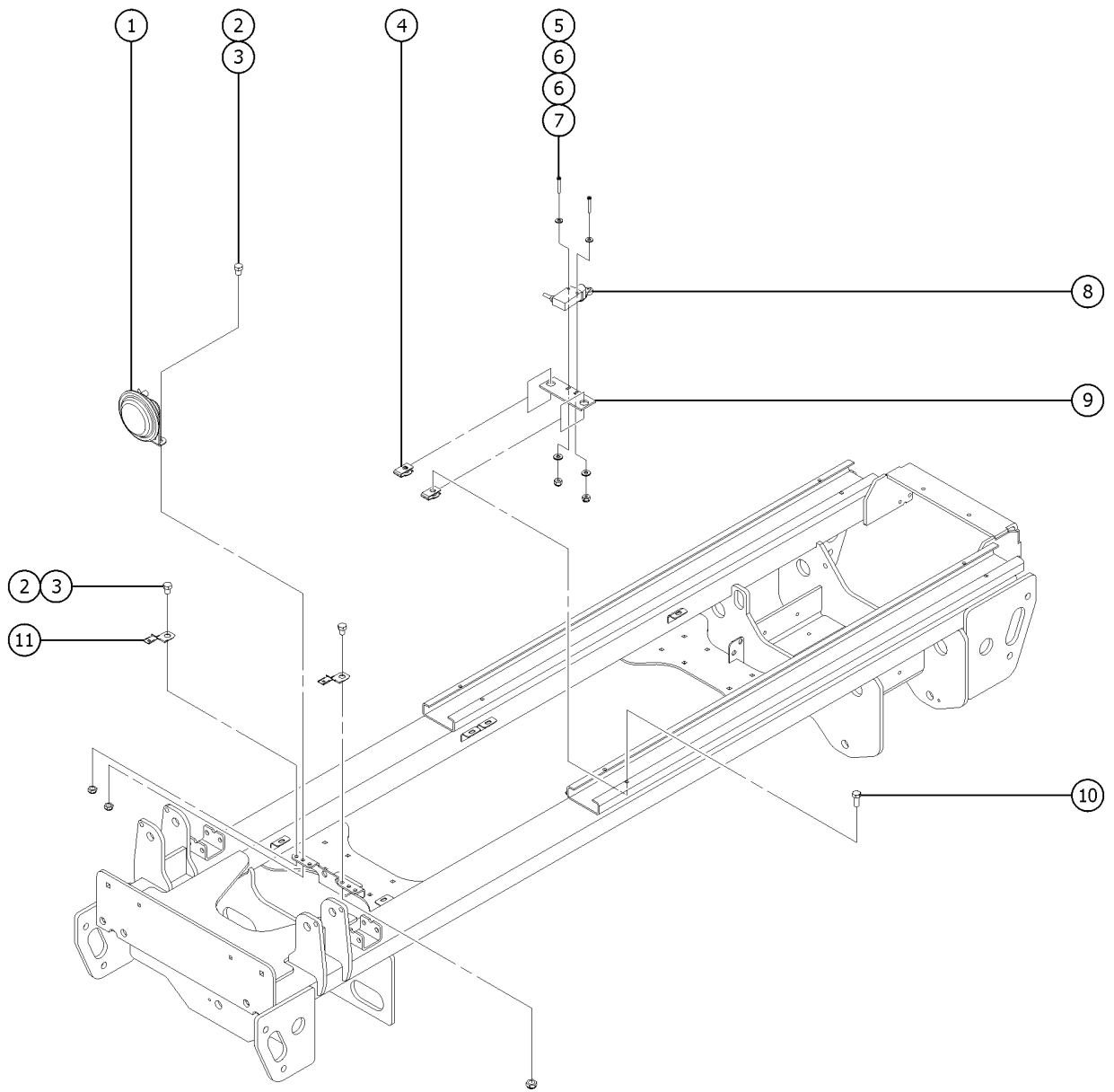


204.2 Ladder and Counterweight, GS-4069

Item	Part No.	Description	Qty.
1	6090GT	SCREW, HHC, 1/4-20 X .75	8
2	56912GT	SPRING CLIP, 1/4-20, .025-.15X.54,ZAG	8
3	1254174GT	FORMING, CHASSIS COVER	2
4	1254436GT	PLATE, REAR CW BRACKET	1
		(GS-4069 RT)	
5	6198GT	NUT, NYLOCK, 1/2-13	8
6	6095GT	WASHER, FLAT, USS, 1/2", Y	8
7	6096GT	SCREW, HHC, 1/2-13 X 2 GR5	2
8	232537GT	CASTING, CW, REAR, 4069	1
		(GS-4069 RT)	
9	1254462GT	FORMING, MID CW BRACKET	1
		(GS-4069 RT)	
10	96977GT	BOLT, CARRIAGE, 1/2-13X1.50, GR5	2
11	232536GT	CASTING, CW, MID, 4069	1
		(GS-4069 RT)	
12	148403GT	STRAP, RUBBER STEP SUPPORT	2
13	1254187GT	WELDMENT, LOWER LADDER STEP	1
14	22788GT	SCREW, HHC, 1/2-13 X 1.75	4
15	8516GT	SCREW, HCC, 3/8-16 X 1.50	4
16	6097GT	WASHER, FLAT, USS, 3/8", Y	4
17	4828GT	NUT, NYLOCK, 3/8-16	8
18	60790GT	BOLT, CARRIAGE, 3/8-16 X 1.50, G5	4
19	1254188GT	WELDMENT, LADDER, GS4069	1
		(GS-4069 RT) (decals not included, refer to 100) to SN GS69F-21752	
19B	1323168GT	WELDMENT, LADDER, GS4069	1
		from SN GS69F-21753	
20	6638GT	WASHER, FLAT, USS, 1/4"Y	4



205.1 Drive Chassis, Safety Components

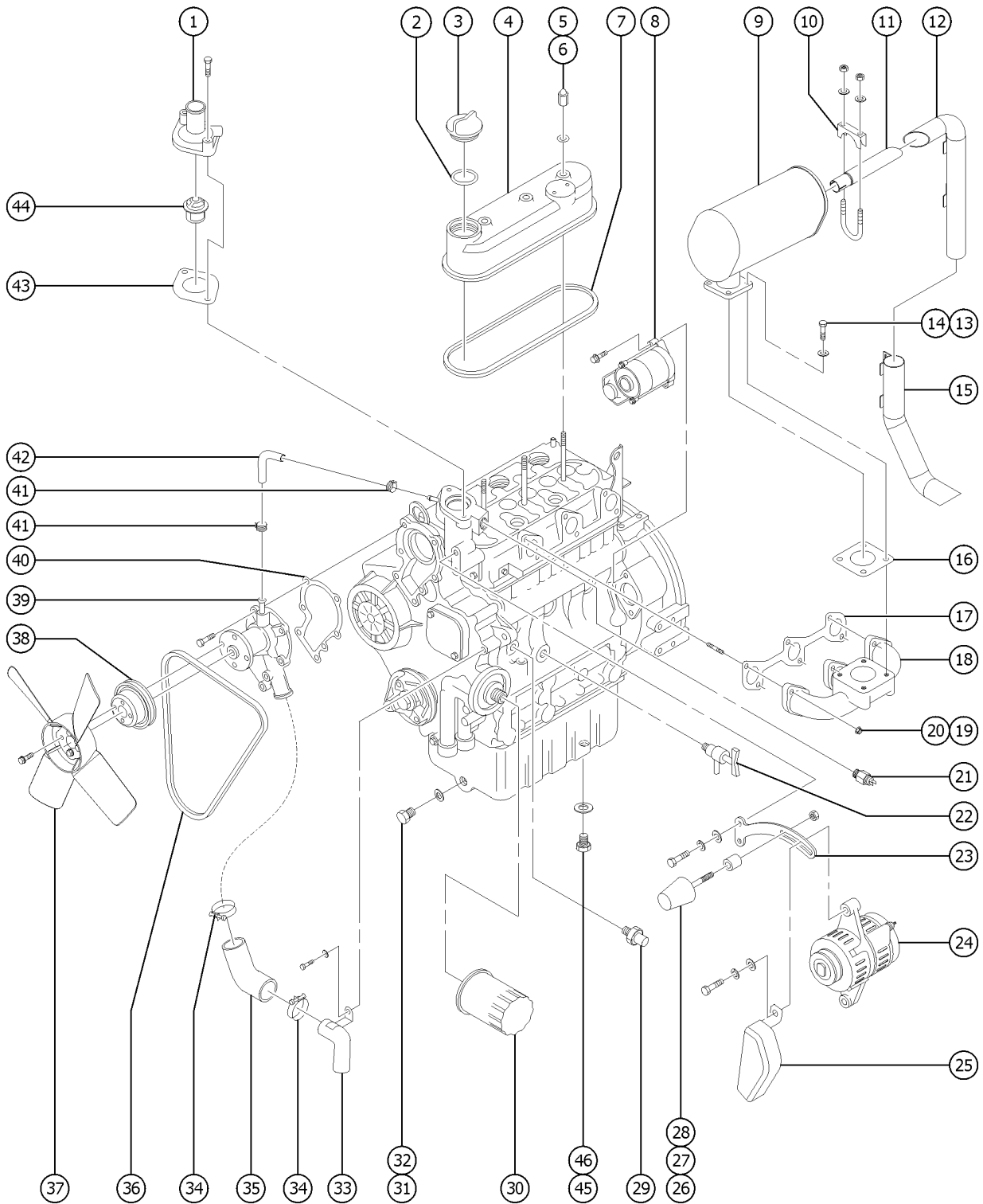


205.1 Drive Chassis, Safety Components

<i>Item</i>	<i>Part No.</i>	<i>Description</i>	<i>Qty.</i>
1	81578GT	HORN,12VDC,SPADE TERMINALS	1
2	71508GT	SCREW, HHC, 3/8-16X .50 GR5 (YELLOW ZINC)	2
3	7713GT	NUT, LP NYLOCK, 3/8-16	2
4	4828GT	NUT, NYLOCK, 3/8-16	2
5	49821GT	SCREW,PHILLIPS,PHM,8-32 X 1.25	2
6	35461GT	WASHER,FLAT,MS,#8,Y	4
7	18605GT	NUT,NYLOCK,8-32	2
8	220237GT	SWITCH,LIMIT,ZCY15 ARM	1
9	1254170GT	PLATE,LIMIT SWITCH,LS	1
10	64154GT	BOLT, CARRIAGE, 3/8-16 X 1.00, G5	2
11	99346GT	CLIP, METAL MOUNTING	3



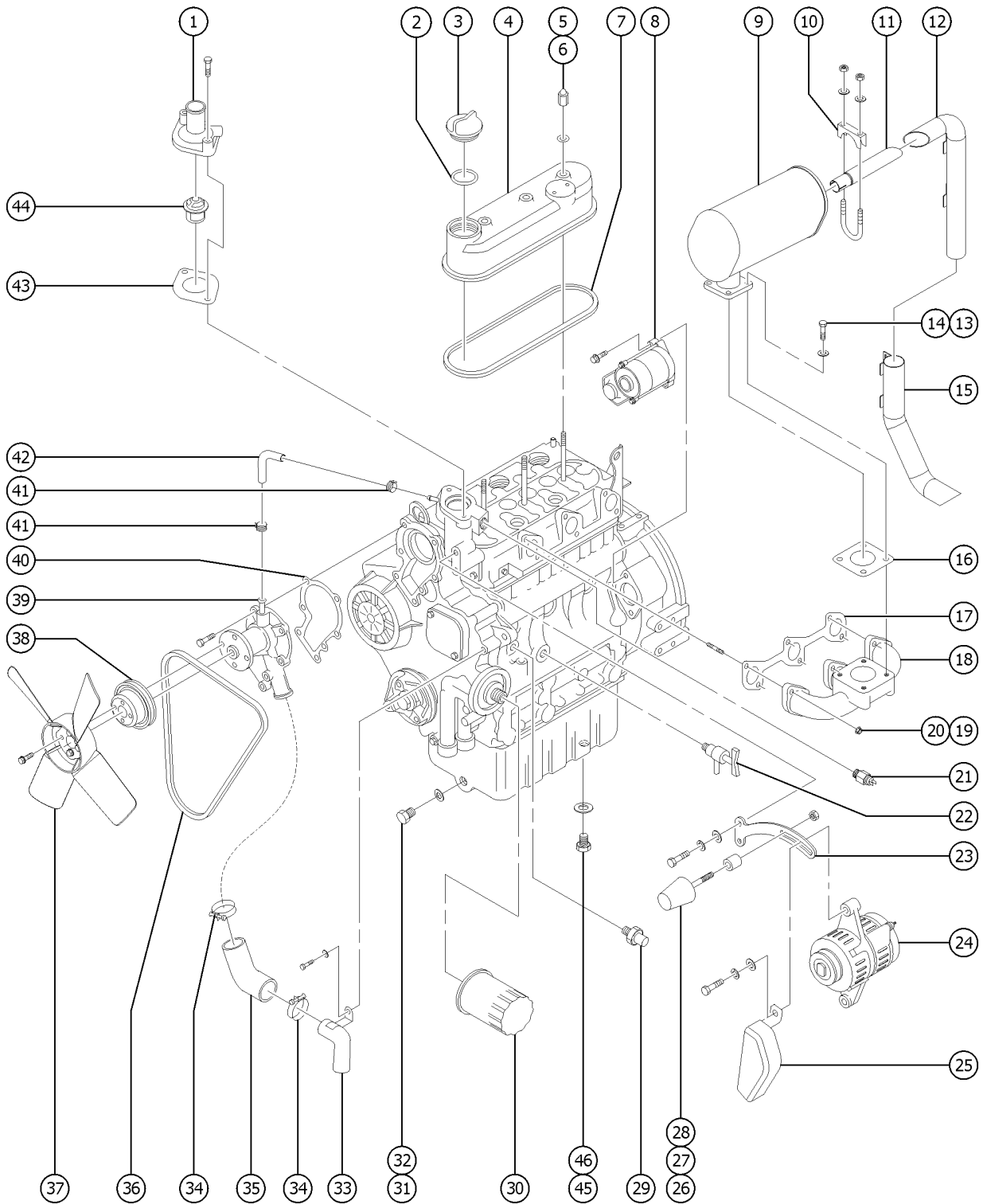
301.1 Kubota D-1105 Engine, View 1



Item	Part No.	Description	Qty.
		for internal engine components, contact engine dealer	
--	839190GT	KUBOTA LOW OIL PRES SWITCH	
--	52532GT	PLUG,ENGINE OIL DRAIN,D-905***	
--	22934GT	SWITCH,OIL,PRESSURE,KUBOTA use until exhausted, (replaced by 839190)	
--	139273GT	MANIFOLD, INLET	
--	139280GT	OIL PAN	
--	139282GT	INNER OIL FILTER (located inside oil pan)	
--	52533GT	GASKET (52532) OIL DRAIN, D905	
1	139279GT	THERMOSTAT COVER	1
2	22903GT	O-RING,OIL FILLER PLUG,KUBOTA*	1
3	839151GT	KUBOTA OIL FILLER PLUG,V1305	1
4	44191GT	VALVE COVER, D905	1
5	44193GT	NUT,VALVE COVER CAP, D905	3
6	44192GT	GASKET,VALVE COVER CAP, D905	3
7	32189GT	GASKET,VALVE COVER,KUBOTA D905	1
8	65837GT	STARTER,KUBOTA D905 VERS 2*** use until exhausted, (replaced by 866101)	1
8-	32194GT	SOLENOID,32193 STARTER,D905	
8B	866101GT	KUBOTA STARTER D1105/905	1
9	131378GT	MUFFLER ASSEMBLY	1
10	62160GT	CLAMP,TAILPIPE, 1 1/2*** Includes mounting fasteners	1
11	131945GT	TAILPIPE,DIESEL,GS69	1
12	148416GT	TAILPIPE,EXTENSION,UNIV.	1
13	25929GT	SCREW,HHC,M8 X 30MM,GRD 8.8	4
14	49408GT	WASHER,LOCK,M8	4
15	228974GT	TAILPIPE,END,UNIV	1
16	832128GT	GASKET,MUFFLER,KUBOTA D905/11	1
17	32191GT	GASKET,EXHAUST MANIFOLD,D905	1
18	32192GT	MANIFOLD,EXHAUST,KUBOTA D905	1



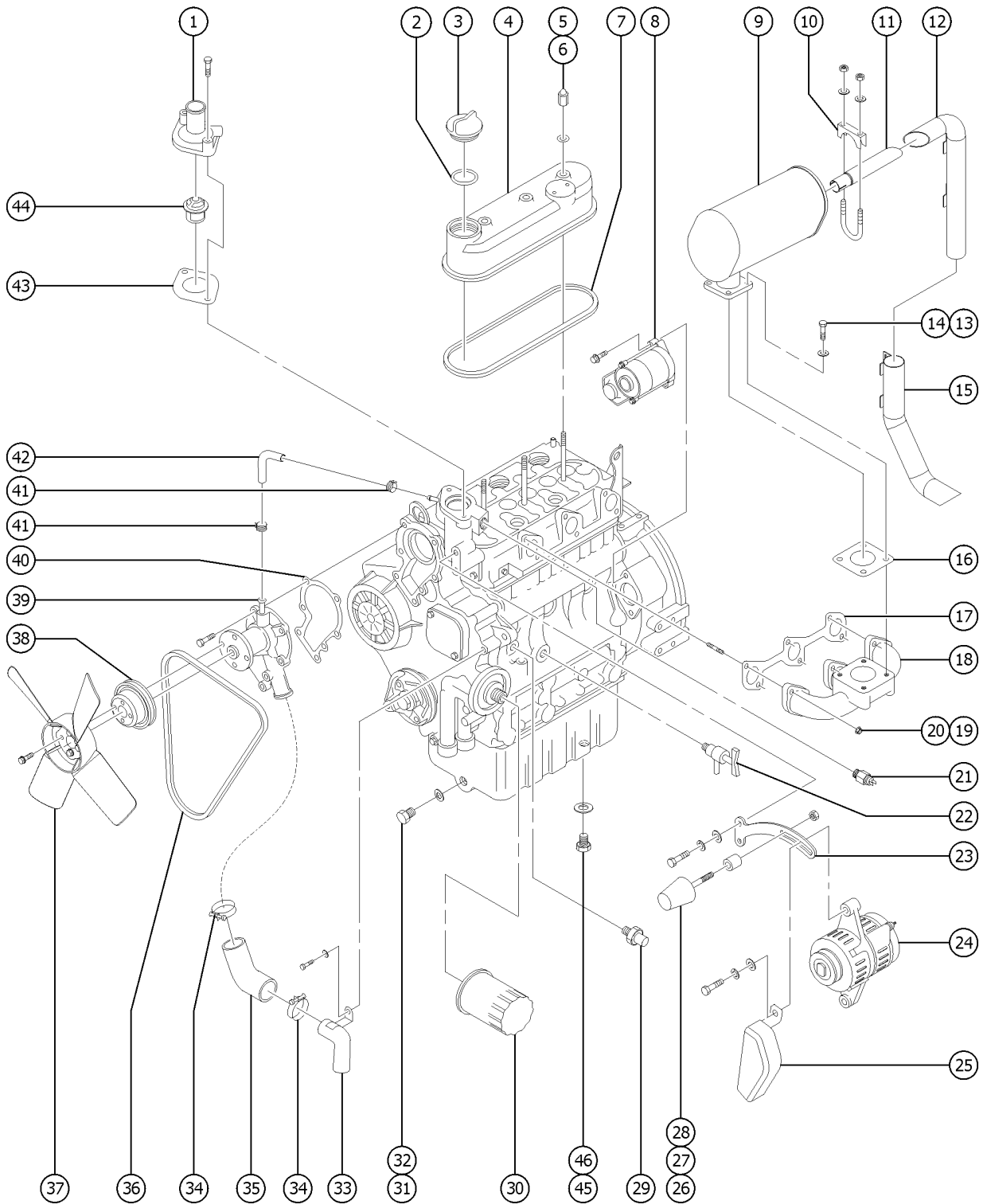
301.1 Kubota D-1105 Engine, View 1



Item	Part No.	Description	Qty.
19	101209GT	NUT,EXHAUST MANIFOLD	6
20	101208GT	STUD,EXHAUST MANIFOLD	6
21	54332GT	SWITCH,WATER TEMP	1
22	32077GT	PETCOCK,DRAIN,KUBOTA WG750B	1
23	231231GT	STAY,ALTERNATOR,D-1105	1
24	101203GT	ALTERNATOR,40 AMP,INT REG	1
24-	1285293GT	BOOT, CABLE TERMINAL	1
25	148099GT	COVER,V-BELT,D1105,KUBOTA	1
26	30973GT	BUMPER,RUBBER-1 X 1.25	1
27	116503GT	BUSHING, 630DX.328ID .375T	1
28	6002GT	NUT, LP NYLOCK, 5/16-18	1
29	22934GT	SWITCH,OIL,PRESSURE,KUBOTA use until exhausted, (replaced by 839190)	1
29B	839190GT	KUBOTA LOW OIL PRES SWITCH	1
30	866050GT	FILTER,OIL,KUBOTA	1
31	234842GT	PLUG, ENGINE OIL, D1105	1
32	234843GT	GASKET (52532) OIL DRAIN, D905	1
33	234844GT	HOSE,LOWER RADIATOR,DF752	1
34	32185GT	CLAMP,HOSE	2
35	116523GT	KUBOTA HOSE,D905, D1105	1
36	839209GT	V-BELT, KUBOTA 1105	1
37	231232GT	RAD. FAN,7-BLADE,D-1105	1
38	52531GT	PULLEY,FAN,KUBOTA, D-905,GS68	1
38-	101200GT	FAN DRIVE PULLEY,KUBOTA	
38-	231929GT	COLLAR, 7 BLADE FAN, D1105	1
39	101201GT	WATER PUMP ASSY,KUBOTA	1
40	32199GT	GASKET,WATER PUMP	1
41	32069GT	CLAMP,HOSE,KUBOTA WG750	2
42	32200GT	HOSE,WATER PUMP RETURN,D905	1



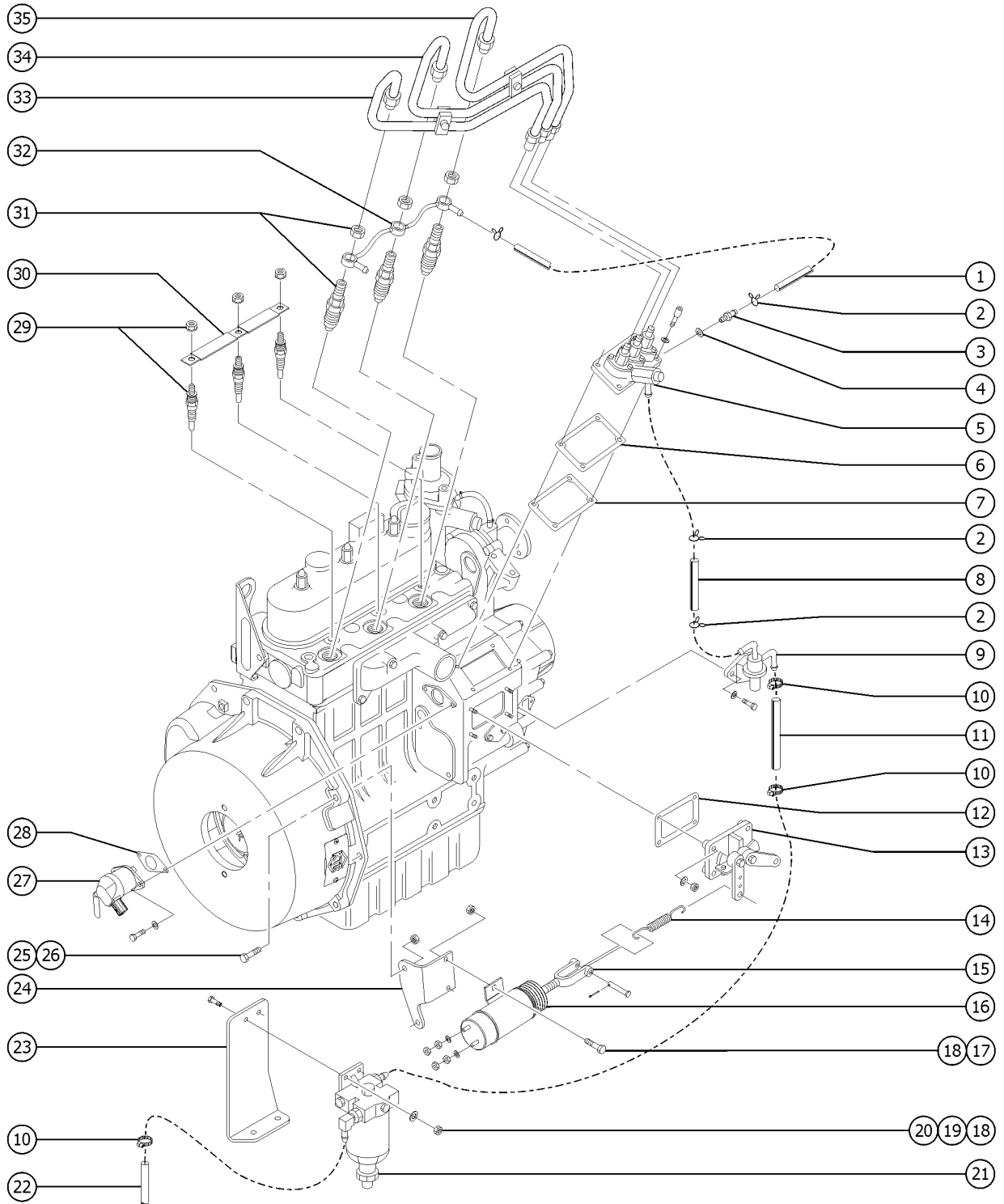
301.1 Kubota D-1105 Engine, View 1



<i>Item</i>	<i>Part No.</i>	<i>Description</i>	<i>Qty.</i>
43	28092GT	GASKET,THERMOSTAT-28091	1
44	139278GT	THERMOSTAT	1
45	162455GT	PLUG PLUGENGINEOIL,D1105 BTM	1
46	162456GT	GSKT, PLUENGINEOIL,D1105 BTM	1



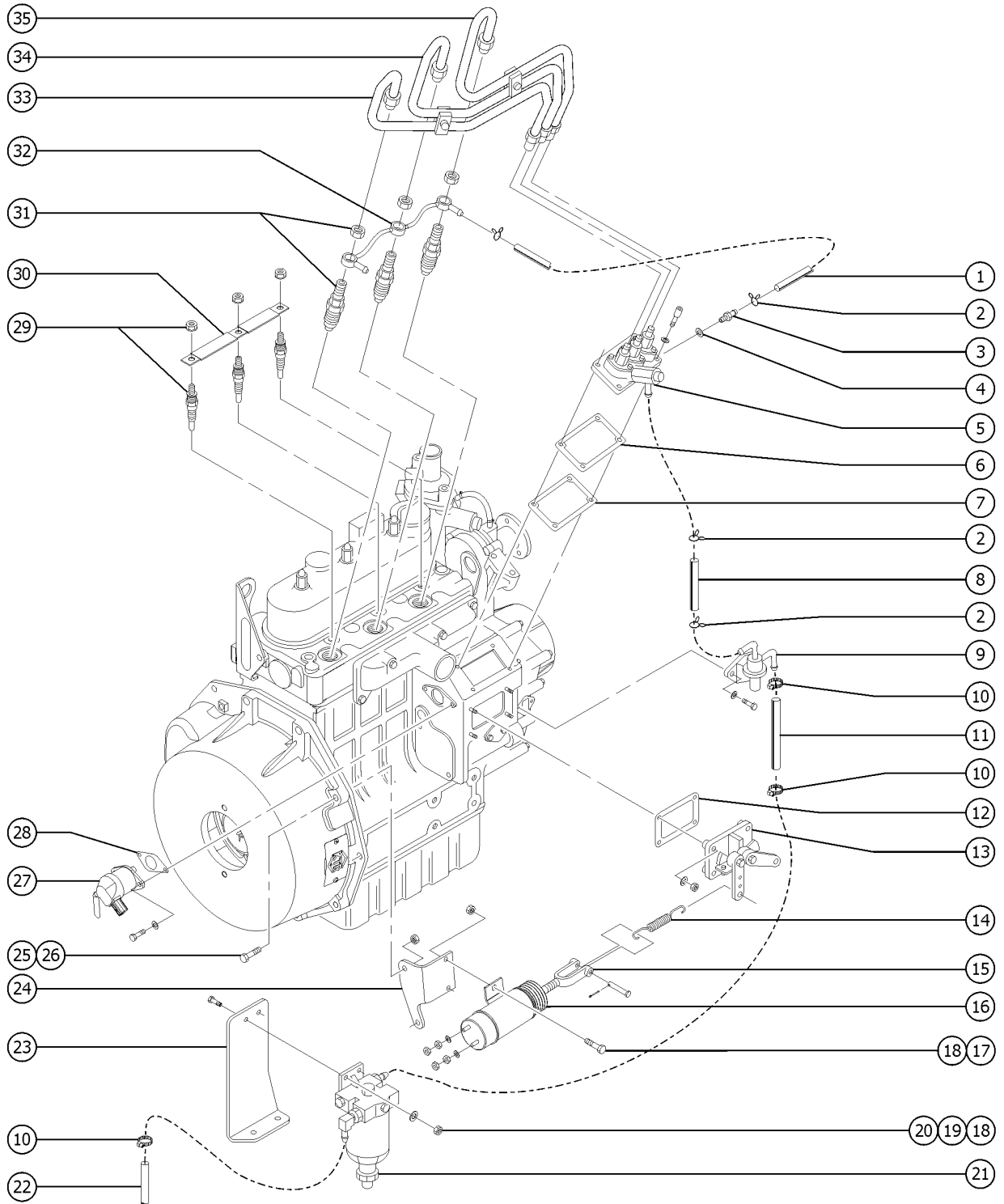
302.1 Kubota D-1105 Engine, View 2



Item	Part No.	Description	Qty.
		for internal engine components, contact engine dealer	
1	35418GT	HOSE,FUEL,3/16,SAE 30R7 injector pump to injector pipe assy	3 in ch es
2	52834GT	CLAMP-HOSE, .375, FUEL PUMP	3
3	62119GT	SCREW-AIR BREATHER, D905	
4	44181GT	GASKET,VALVE COVER CAP, WG750	1
5	839149GT	KUBOTA INJECTOR PUMP, D1105	1
6	32103GT	GASKET,INJECTION PUMP	1
7	32182GT	GASKET,INJECTION PUMP	1
8	236007GT	HOSE, FUEL PUMP TO INJ, D1105 lift pump to injector pump	1
9	866070GT	FUEL PUMP, MECHANICAL	1
9-	839233GT	KUBOTA FUEL PUMP GASKET	1
10	87584GT	CLAMP,HOSE,SELF TIGHT, 7/16	5
11	27089GT	HOSE,5/16 FUEL,SAE 30R7 fuel/water separator to lift pump	18 in ch es
12	44202GT	GASKET,SPEED CONTROL ASSY,D905	1
13	234867GT	SPEED CONTROL ASSY, D1105	1
13-	44201GT	SPRING,RETURN,SPEED CONTR,D905	
14	31379GT	SPRING,TENSION-1.25 X.438 DIA	1
15	21130GT	CLEVIS YOKE-1/4-28,PLTD W/PIN	1
16	20780GT	SOLENOID,2 SPEED TROMBETTA***	1
17	6090GT	SCREW, HHC, 1/4-20 X .75	
18	6091GT	NUT, NYLOCK, 1/4-20	
19	6888GT	SCREW, HHC, 1/4-20 X 1	
20	6638GT	WASHER, FLAT, USS, 1/4"Y	
21	56949GT	FILTER/SEPARATOR,FUEL DIESEL**	1
21-	65853GT	FILTER,FUEL/WATER SEPARATOR***	
22	27089GT	HOSE,5/16 FUEL,SAE 30R7 fuel tank to fuel/water separator	89 in ch es



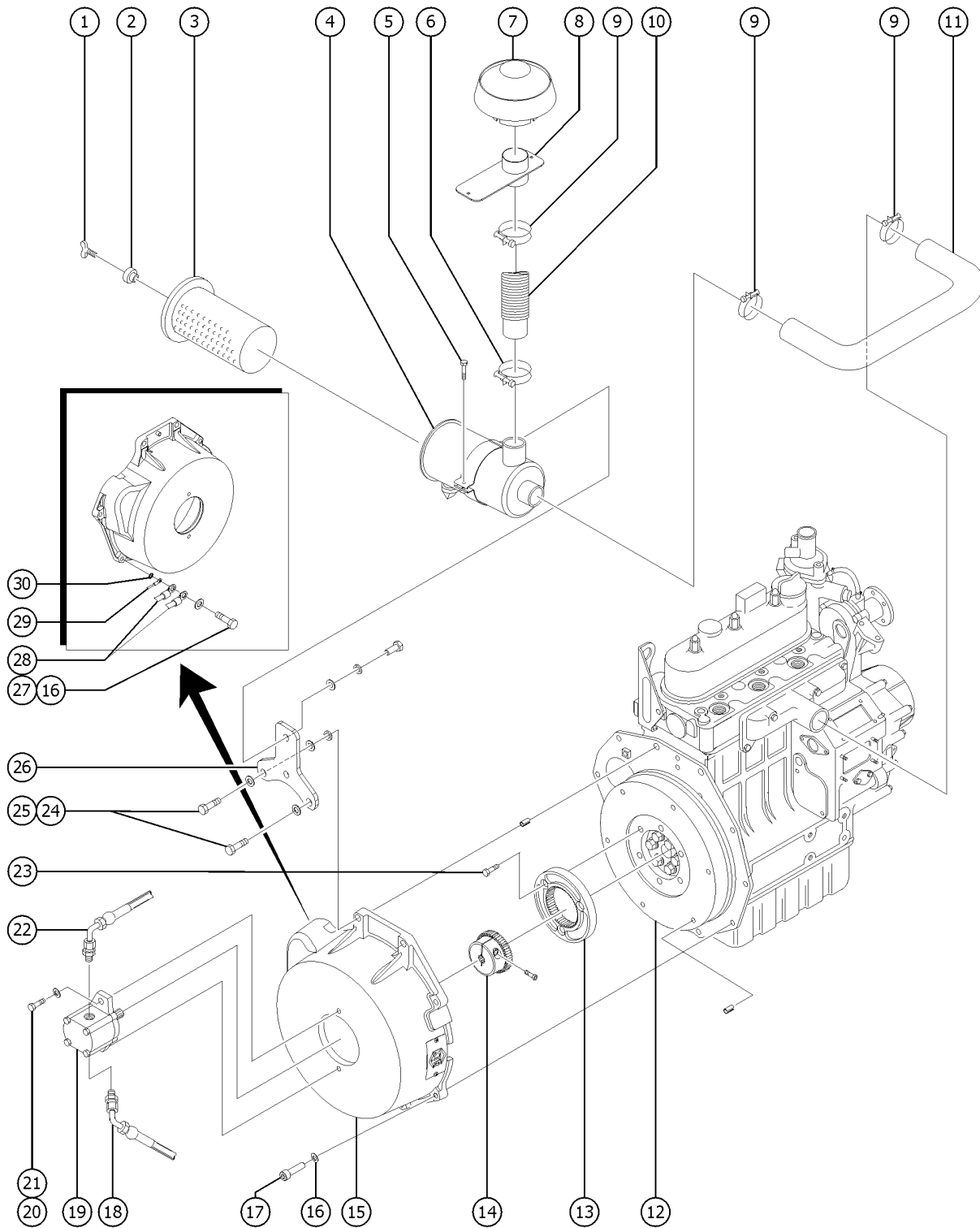
302.1 Kubota D-1105 Engine, View 2



Item	Part No.	Description	Qty.
23		Ref. Fuel Filter MNT (refer to 308.1)	1
24	1254113GT	FORMING,SOLENOID MNT,KD	1
25	61741GT	SCREW,HHC,5/16-18 X 1.50	
26	6782GT	NUT, NYLOCK, 5/16-18	
27	99199GT	SOLENOID,FUEL SHUTOFF,D905*** replaces 1305362GT	1
28	866040GT	KUBOTA GASKET FOR SOLENOID	1
29	839119GT	KUBOTA GLOW PLUG	3
30	62118GT	JUMPER-GLOW PLUG	1
31	865257GT	KUBOTA KIT, HOLDER,NOZZLE	3
32	62117GT	PIPE ASSY-OVERFLOW-D905	1
32B	865100GT	KUBOTA OVER FLOW PIPE use until exhausted, (replaced by 865100)	1
32C	35418GT	HOSE,FUEL,3/16,SAE 30R7 injector pipe assy to tank	89 in ch es
33	44196GT	PIPE,INJECTOR 1,D905,D1105	1
34	44197GT	PIPE,INJECTOR 2,D905,D1105	1
35	44198GT	PIPE,INJECTOR 3,D905,D1105	1



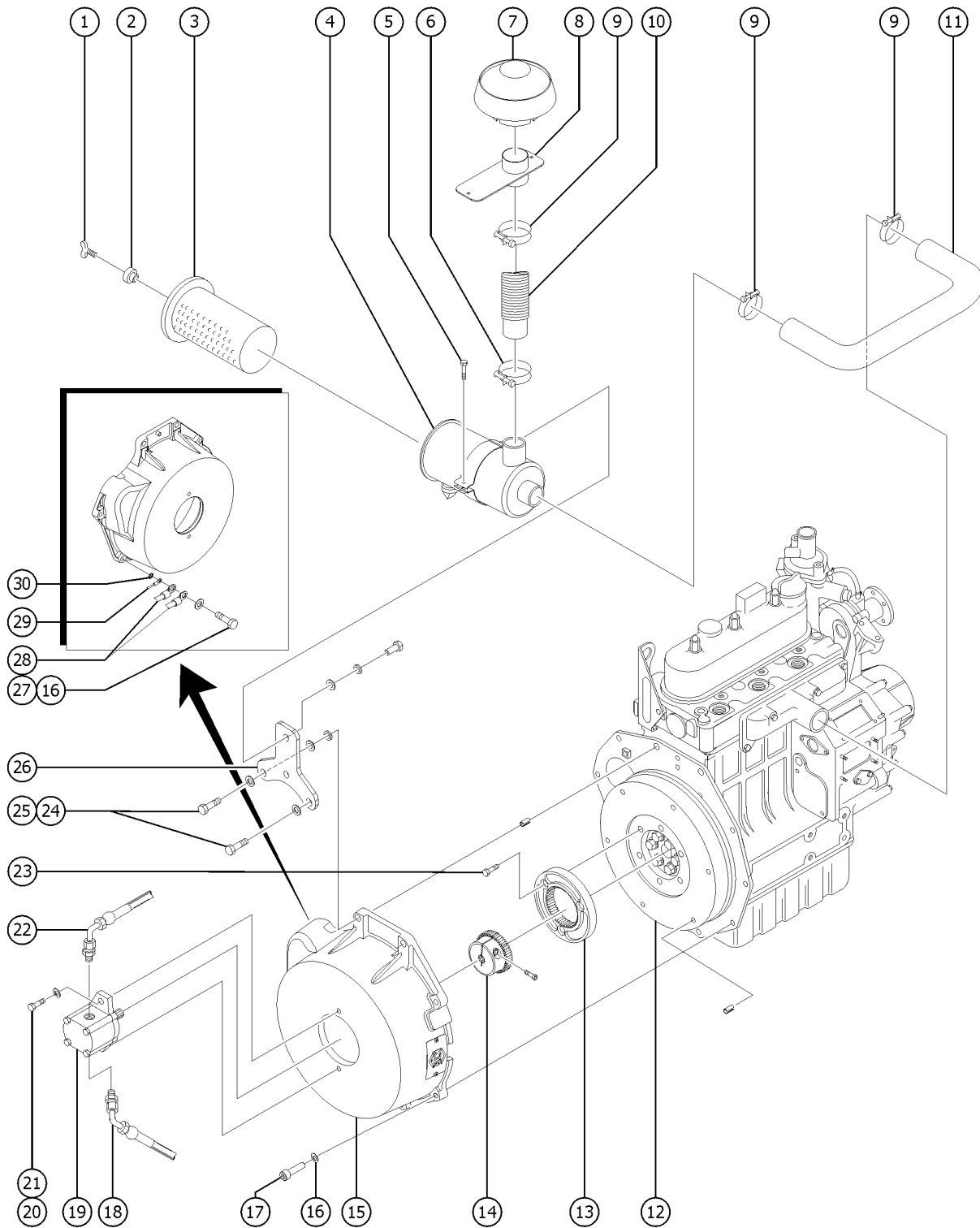
303.1 Kubota D-1105 Engine, View 3



Item	Part No.	Description	Qty.
-		for internal engine components, contact engine dealer	
-	139273GT	MANIFOLD, INLET	
1	44203GT	BOLT,WING,FILTER ELEMENT, D905	1
2	44204GT	WASHER ASSY,FILTER ELEMNT,D905	1
3	236095GT	FILTER,AIR,D1105	1
4	101202GT	AIR CLEANER ASSY includes items 1-5	1
5	62296GT	SCREW,M8 X 35MM	1
5	101204GT	AIR CLEANER STAY	1
6	45435GT	CLAMP,HOSE,2.50****	1
7	52420GT	CAP,RAIN,AIR CLEANER, GS68RT**	1
8	1254107GT	WELDMENT,RAIN CAP MNT, KUB	1
9	22672GT	CLAMP,HOSE,1.75	3
10	131372GT	HOSE,1.75ID,2.50IDX12.0"	1
11	43700GT	PIPE,INLET, D905	1
12	139274GT	COMP. FLYWHEEL	1
12-	99882GT	BOLT,FLYWHEEL,KUBOTA D905	
13	94688GT	ADAPTER, FLANGE GEAR, 3 HOLE	1
14	104366GT	COUPLER,SPLINED,9TOOTH, GS68	1
15	131484GT	BELLHOUSING, KD-1105, A-PILOT	1
16	824144GT	WASHER,FLAT,M8,DIN125,ZAB	8
17	85051GT	SCREW,SHC,M8X1.25X30MM,GR 12.9	6
18	227475GT	HOSE ASSY,SUCT(TANK)-IN(PUMP)	1
19	1270697GT	PUMP, GEAR, 16CC/REV from SN GS6916F-9033	1
19-	1273258GT	SEAL KIT,CASAPPA for pump 1270697	
19B	87918GT	PUMP,GEAR,16CC*** to SN GS6916F-9032	
19B-	85197GT	SEAL KIT,BOSCH PUMP*** for pump 87918	
20	6175GT	SCREW,HHC,3/8-16 X 1	2
21	219210GT	WASHER,FLAT,SAE,3/8,Y	2

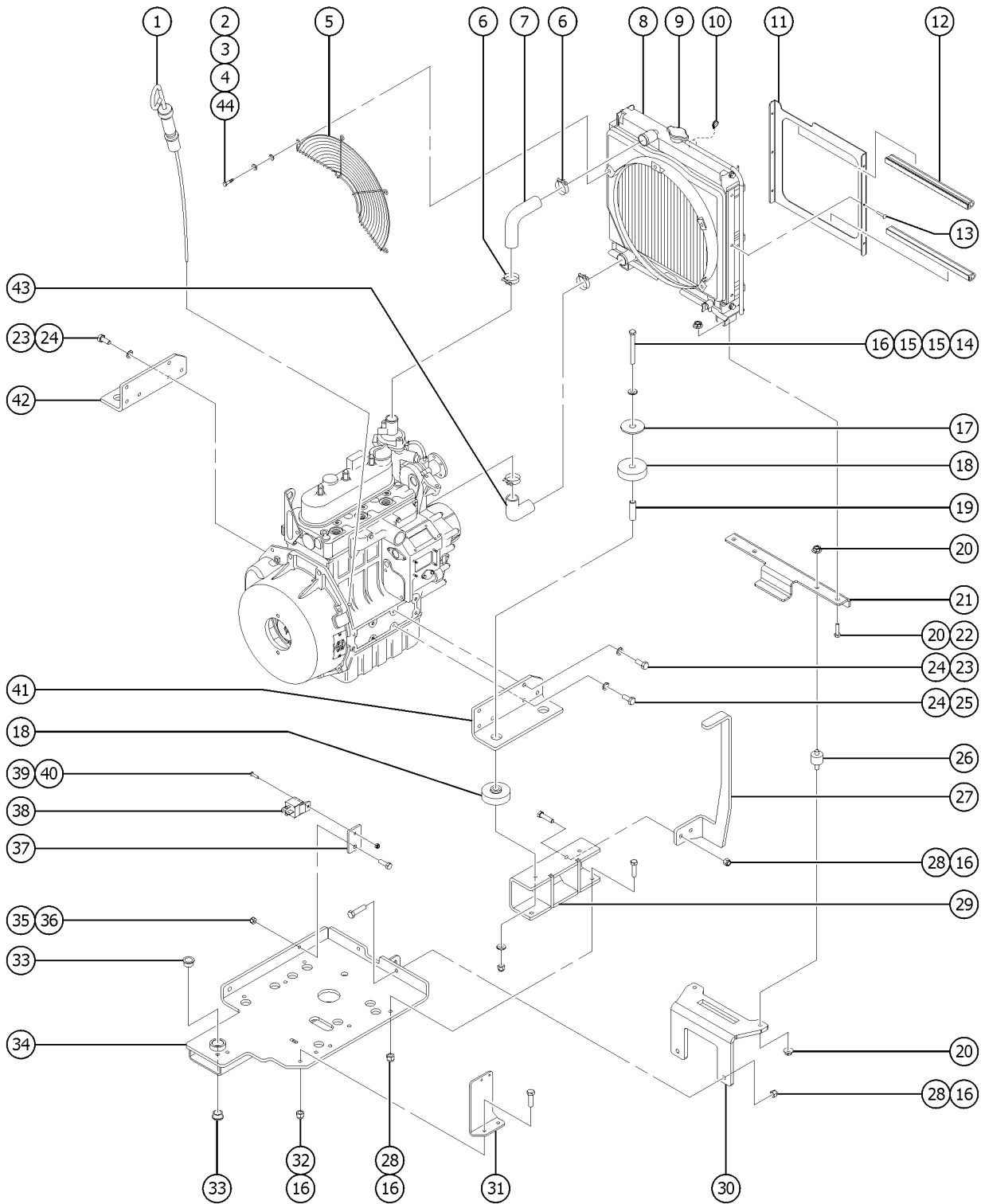


303.1 Kubota D-1105 Engine, View 3



<i>Item</i>	<i>Part No.</i>	<i>Description</i>	<i>Qty.</i>
22	227476GT	HOSE ASSY,OUT(PUMP)-HP FILTER	1
23	1309984GT	SCREW,SHC,M10 X 1.25 X 30MM	3
24	824145GT	WASHER, FLAT, DIN125, M10, ZAB	2
25	1309958GT	SCREW,HHC,M10 X 1.25 X 35	2
26	1254425GT	BRKT. AIR CLEANER MOUNT	1
27	1309957GT	SCREW,SHC,M8 X 1.25 X 55	2
28		Ref. HARNESS,BATTERY	
		(refer to 408.1)	
29		Ref. HARNESS,ENGINE	
		(refer to 408.1)	
30	6700GT	WASHER, STAR, EXTERNAL, .375	

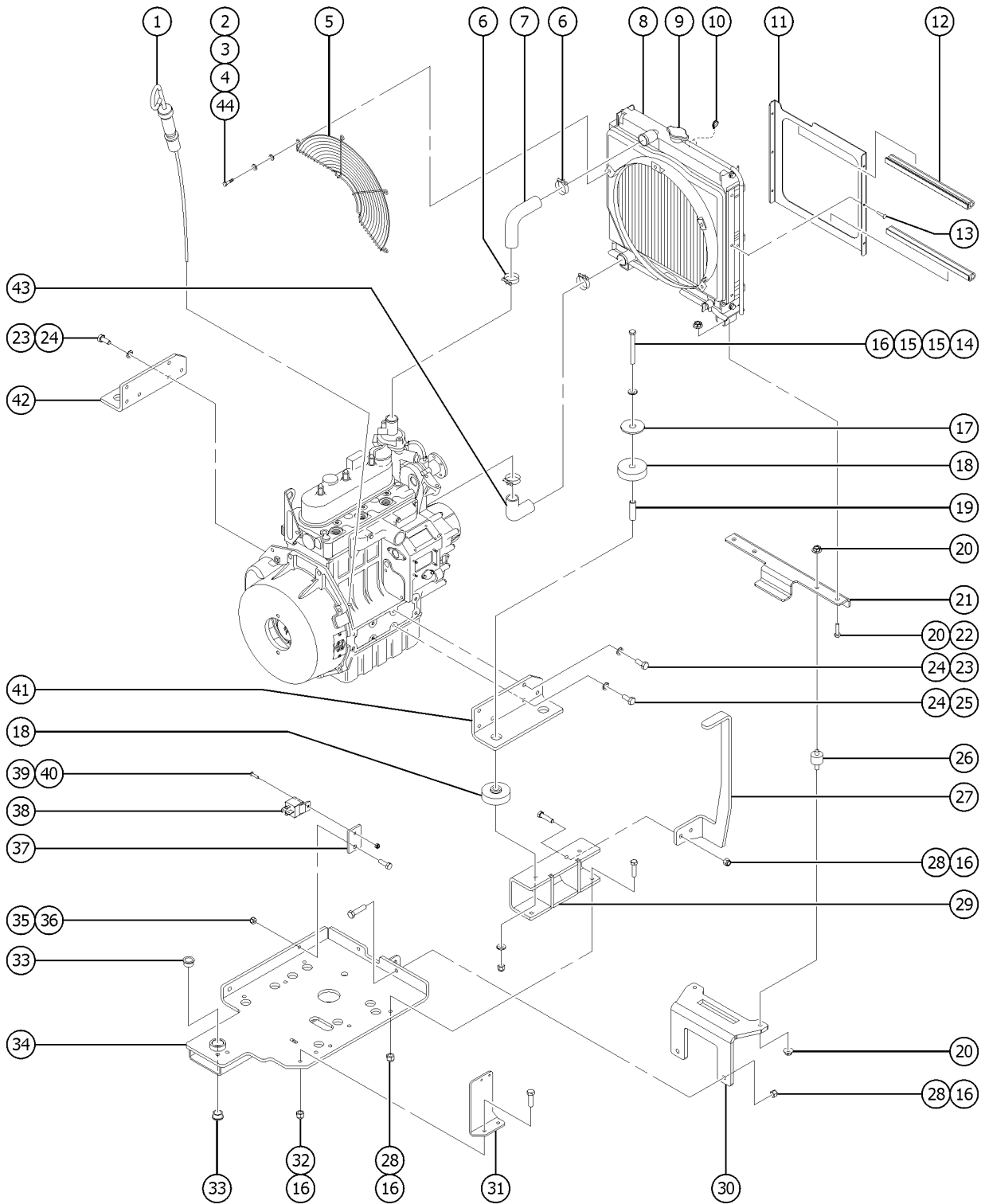
304.1 Kubota D-1105 Engine, View 4



Item	Part No.	Description	Qty.
		for internal engine components, contact engine dealer	
	139277GT	COMP. WATER FLANGE	1
1	231226GT	DIPSTICK,D-1105	1
1-	231227GT	DIPSTICK GUIDE,D-1105	
2	234845GT	BOLT, FAN COVER, D1105	
3	234846GT	WASHER, FAN COVER, D1105	
4	234847GT	WASHER, LOCK, FAN COVER, D1105	
5	131373GT	COVER, FAN	1
6	32185GT	CLAMP,HOSE	4
7	32205GT	HOSE,UPPR RADIATOR,KUBOTA D905 use until exhausted, (replaced by 839109)	1
7B	839109GT	KUBOTA WATER PIPE	1
8	112531GT	RADIATOR ASSY,ALUM.D-905	1
8-	94532GT	BOTTLE,COOLANT RECOVERY,1.4***	
8-	115431GT	CAP ASSY, COOLANT BOTTLE for 94532	
8-	131581GT	HOSE,RAD.OVERFLOW,KD-1105,50"	
9	23061GT	CAP,RADIATOR,13 PSI	1
10	87854GT	HOSE ASSY,OSCILLATE IN	2
10B	44909GT	CLAMP,HOSE,.35"-.86" X .3125"	4
11	128328GT	BRKT, BAFFLE, RADIATOR	1
12	233822GT	SEAL, RUBBER 90D BULB, 15IN	2
13	51738GT	SCREW,RHM,M6 X 12MM	
14	6605GT	SCREW,HHC,3/8-16 X 3.5,GR5	
15	5397GT	WASHER,FLAT,5/16,USS,ZAG	
16	4828GT	NUT, NYLOCK, 3/8-16 Replaced by 1274166GT	
16B	1274166GT	NUT,NYLOCK,3/8-16,C,ZAG to SN GS69F-20929	16
16C	1274166GT	NUT,NYLOCK,3/8-16,C,ZAG from SN GS69F-20930	14
17	33418GT	WASHER,FLAT,.625 X 2.25 X.15	
18	24037GT	SHOCK MOUNT,LARGE**	4



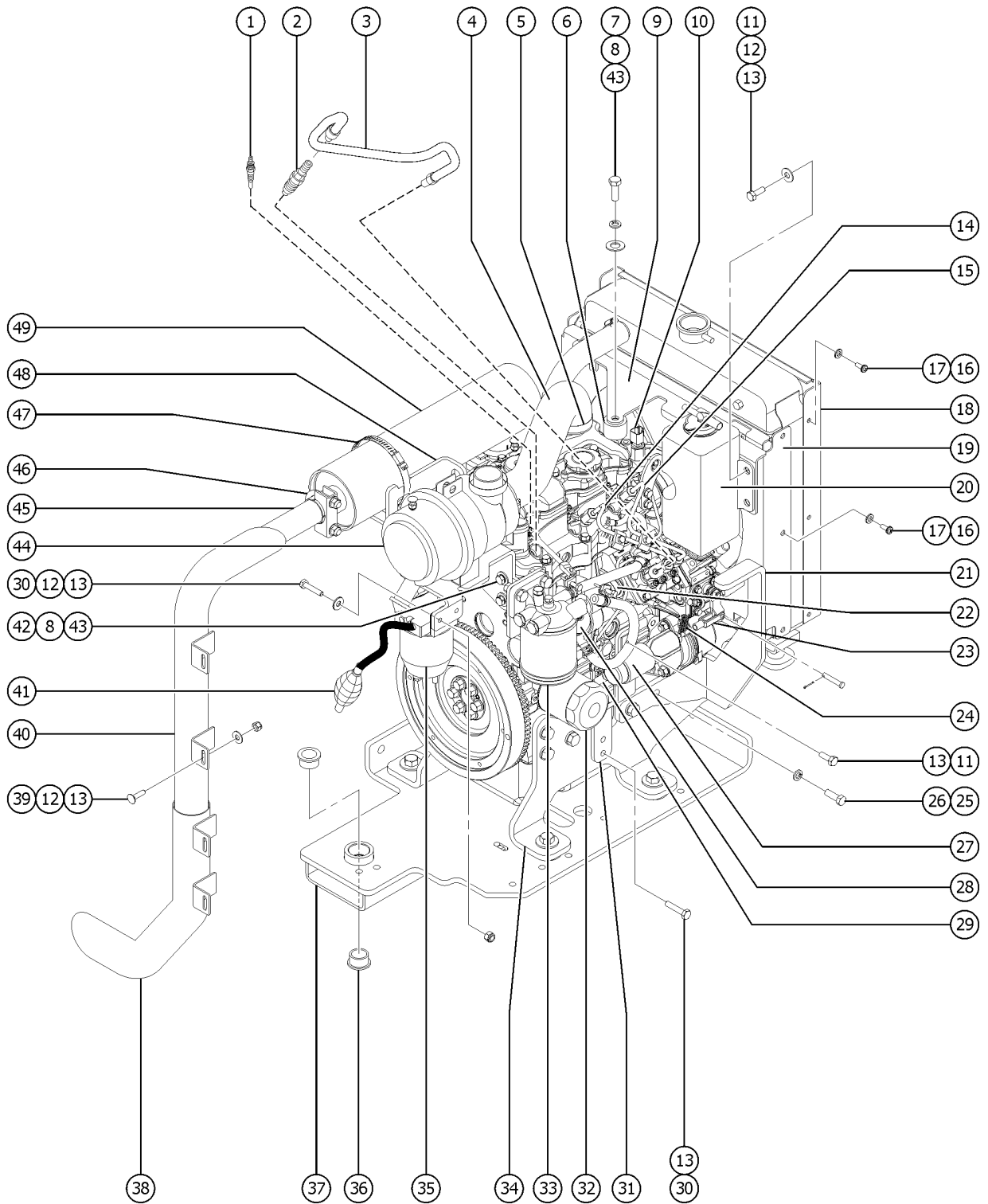
304.1 Kubota D-1105 Engine, View 4



Item	Part No.	Description	Qty.
19	139230GT	SPACER, SHOCK MOUNT	
20	18503GT	NUT, LOCKING - LG FLANGE 5/16 - 18	
21	1254424GT	FORMING, RAD SUPPORT, KD	
22	13000GT	SCREW,HHC,5/16-18X1.375,8,ZAG	
23	22676GT	SCREW,HHC,M10 X 1.25 X 30MM**	
24	22700GT	WASHER,LOCK,M10	
25	228698GT	SCREW,HHC,M10 X 1.25 X 35MM	
26	219437GT	ISOLATOR,VIBRATION	2
27	1254108GT	FORMING, PULL HANDLE, KD	
		to SN GS69F-20929	
28	8516GT	SCREW, HCC, 3/8-16 X 1.50	
29	1254109GT	WELDMENT, RISE BRKT, KD	
30	1254110GT	FORMING, RADIATOR MOUNT,KD	
31	1270142GT	FORMING, FUEL FILTER MOUNT, KD	
32	6019GT	SCREW,HHC,3/8-16 X 1.25 GRD 5	
33	131813GT	BEARING,BRZ,FL,1.0IDX1.25OD	2
34		Ref: Engine Swing Tray Weldment	1
		(refer to 402.1)	
35	6782GT	NUT, NYLOCK, 5/16-18	
36	13022GT	SCREW,HHC,5/16-18 X 1 INCH	1
37	1254111GT	PLATE,GLWPLUG,RELAY MT,KD	
38	61225GT	RELAY,12VDC,70AMP,SEALED	1
39	6606GT	SCREW,RHM,10-32 X .75	
40	6178GT	NUT, NYLOCK, 10-32, SS	
41	1254115GT	FORMING, ENGINE MNT, RT, KD	
42	1254116GT	FORMING, ENGINE MNT, LFT, KD	
43	131427GT	HOSE,RADIATOR,LOWER,D905	1
44	234848GT	NUT, FAN COVER, D1105	



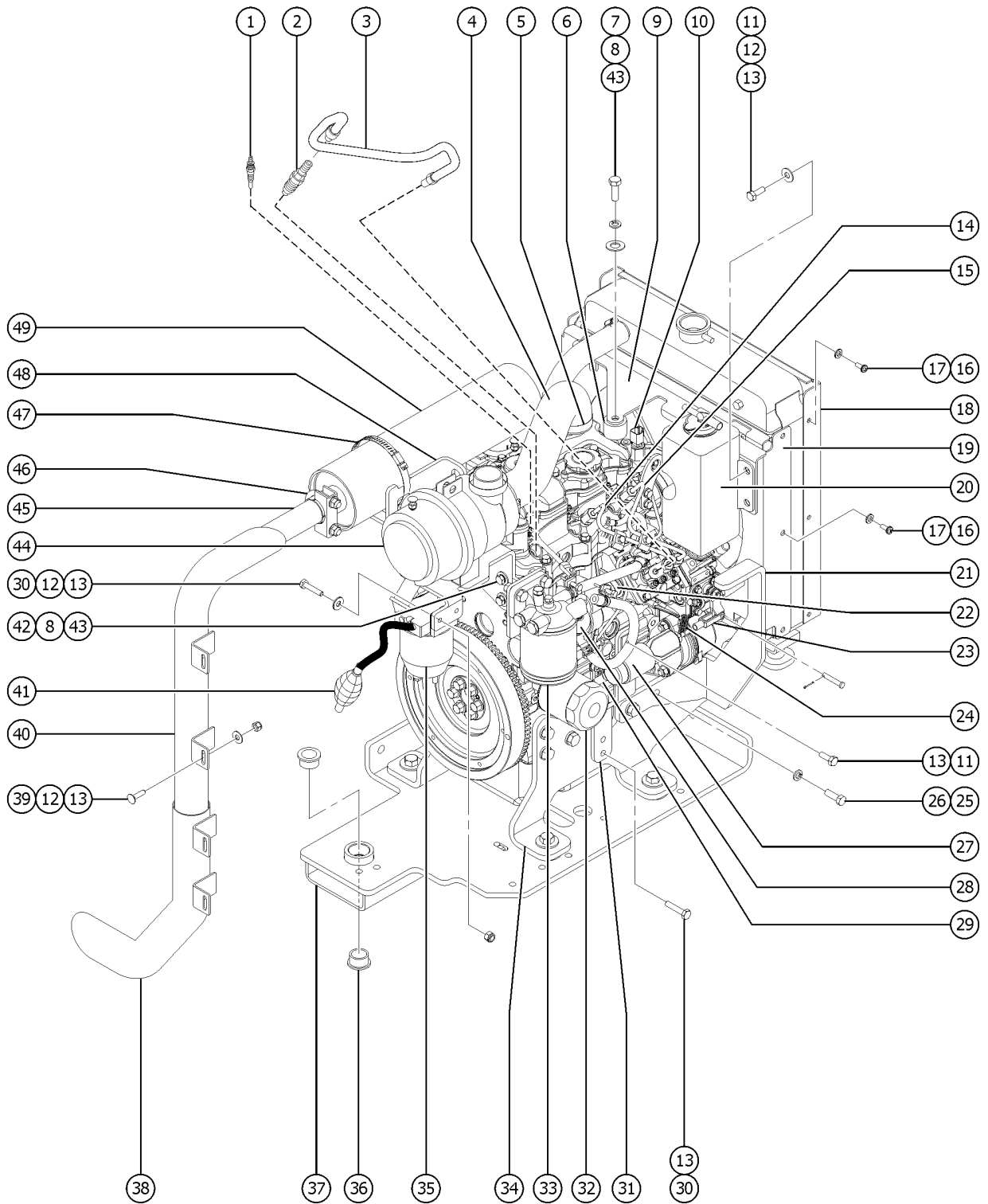
305.1 Perkins 403D-11 Engine, View 1 (to SN GS69F-11000)



Item	Part No.	Description	Qty.
		for internal engine components, contact engine dealer	
A	139251GT	ENGINE KIT,PERKINS 403D, T41	
B	1274301GT	KIT, AIR INTAKE HOSE, PERKINS, RT69	
1	139270GT	GLOW PLUGS	3
2	139272GT	FUEL INJECTOR	3
3	84814GT	PIPE,INJECTOR 3, 403C-11	1
4	94244GT	HOSE,AIR INTAKE,PERKINS	1
5	35434GT	CLAMP,HOSE,2.00***	3
6	60585GT	ISOLATOR,VIBRATION,M8 MALE/FEM	1
7	49379GT	SCREW,HHC,M8 X 1.25 X 25	1
8	6886GT	WASHER,LOCK,.313	3
9	1254132GT	FORMING,UPPER RAD.SUPPORT	1
10	1262469GT	OIL PRESSURE SWITCH,PERKINS 404D-22T	1
11	6090GT	SCREW, HHC, 1/4-20 X .75	5
12	6638GT	WASHER, FLAT, USS, 1/4"Y	9
13	6091GT	NUT, NYLOCK, 1/4-20	14
14	84813GT	PIPE,INJECTOR 2, 403C-11	1
15	84812GT	PIPE,INJECTOR 1, 403C-11	1
16	21019GT	SCREW,PHIL,PHM,10-24 X.5,SEMS	12
17	25926GT	WASHER,FLAT,M6 PLTD.	12
18	1254129GT	FORMING,RADIATOR SHROUD,PD	1
18-	233822GT	SEAL, RUBBER 90D BULB, 15IN	2
19	1254133GT	FORMING,RAD.SHROUD,PERKINS	1
20	94532GT	BOTTLE,COOLANT RECOVERY,1.4***	1
20-	115431GT	CAP ASSY, COOLANT BOTTLE	1
20	131581GT	HOSE,RAD.OVERFLOW,KD-1105,50"	
21	1254131GT	FORMING,PULL HANDLE,PERKINS	1
22	236426GT	SOLENOID KIT,SHUT DN,PERKINS	1



305.1 Perkins 403D-11 Engine, View 1 (to SN GS69F-11000)

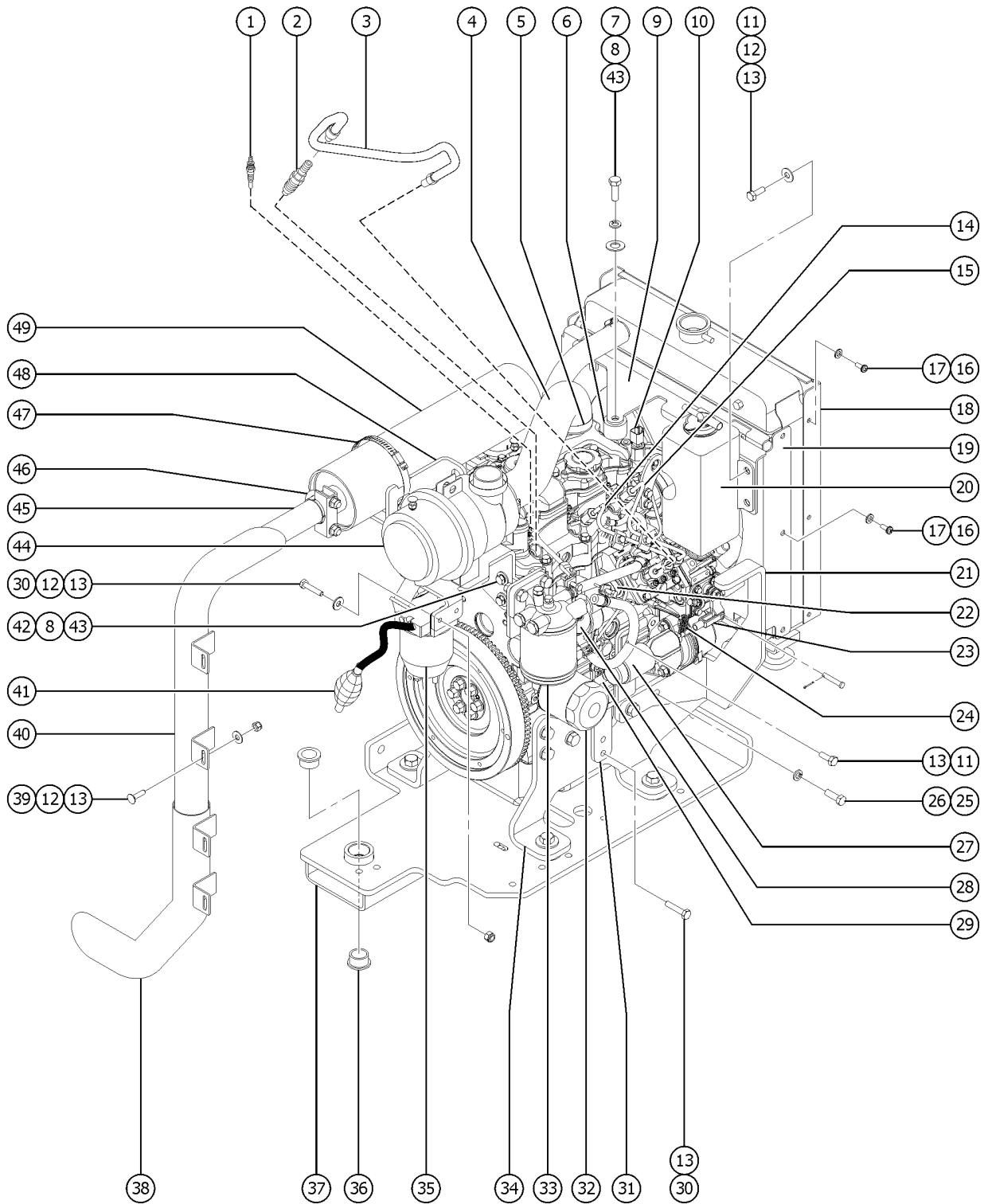


305.1 Perkins 403D-11 Engine, View 1 (to SN GS69F-11000)

Item	Part No.	Description	Qty.
23	21130GT	CLEVIS YOKE-1/4-28,PLTD W/PIN	1
24	31379GT	SPRING,TENSION-1.25 X.438 DIA	1
25	75175GT	SCREW,HHC,M12X 1.25X36MM,GR8.8	2
26	6033GT	WASHER,LOCK,0.5"	6
27	77402GT	SOLENOID,THROTTLE ACTUATOR DSL	1
28	72348GT	PUMP,LIFT(FUEL) PERKINS(54555)	1
29	101320GT	DIPSTICK,STRAIGHT SHORT	1
29-	54556GT	DIPSTICK TUBE,PERKINS 104-22**	
30	8915GT	SCREW, HHC, 1/4-20 X 1.25	4
31	1254117GT	FORMING,SOLENOID MNT,PD	1
32	94762GT	OIL FILTER - PERKINS	1
33	1262484GT	FUEL FILTER ASSY,PERKINS 404D/	1
33-	62421GT	FILTER,FUEL,PERKINS	
34	1254135GT	FORMING,ENG MNT RT,PD	1
35	56949GT	FILTER/SEPARATOR,FUEL DIESEL**	1
35-	42767GT	SEPARATOR/FILTER ELEMENT,FUEL*	
36	131813GT	BEARING,BRZ,FL,1.0IDX1.25OD	2
37		Ref: Engine Swing Tray Weldment	1
		(refer to 402.1)	
38	228974GT	TAILPIPE,END,UNIV	1
39	79456GT	BOLT,CARRIAGE,1/4-20 X 1.00,G2	4
40	148416GT	TAILPIPE,EXTENSION,UNIV.	1
41	85155GT	PUMP,PRIMER,PERKINS***	1
41A	233949GT	HOSE, FUEL 5/16",89"LG	1
		fuel tank to primer bulb	
41A	233948GT	HOSE, FUEL 5/16",2"LG	1
		primer bulb to fuel/water separator	
41A	71909GT	HOSE,FUEL,5/16 HIGH PRESSURE**	8
		fuel/water separator to lift pump	in ch es
41A	236045GT	HOSE, FUEL PUMP TO FILTER, 403D	1
		lift pump to fuel filter	
41A	236046GT	HOSE, FUEL FILTER -INJ., 403D	1
		fuel filter to injector pump	



305.1 Perkins 403D-11 Engine, View 1 (to SN GS69F-11000)

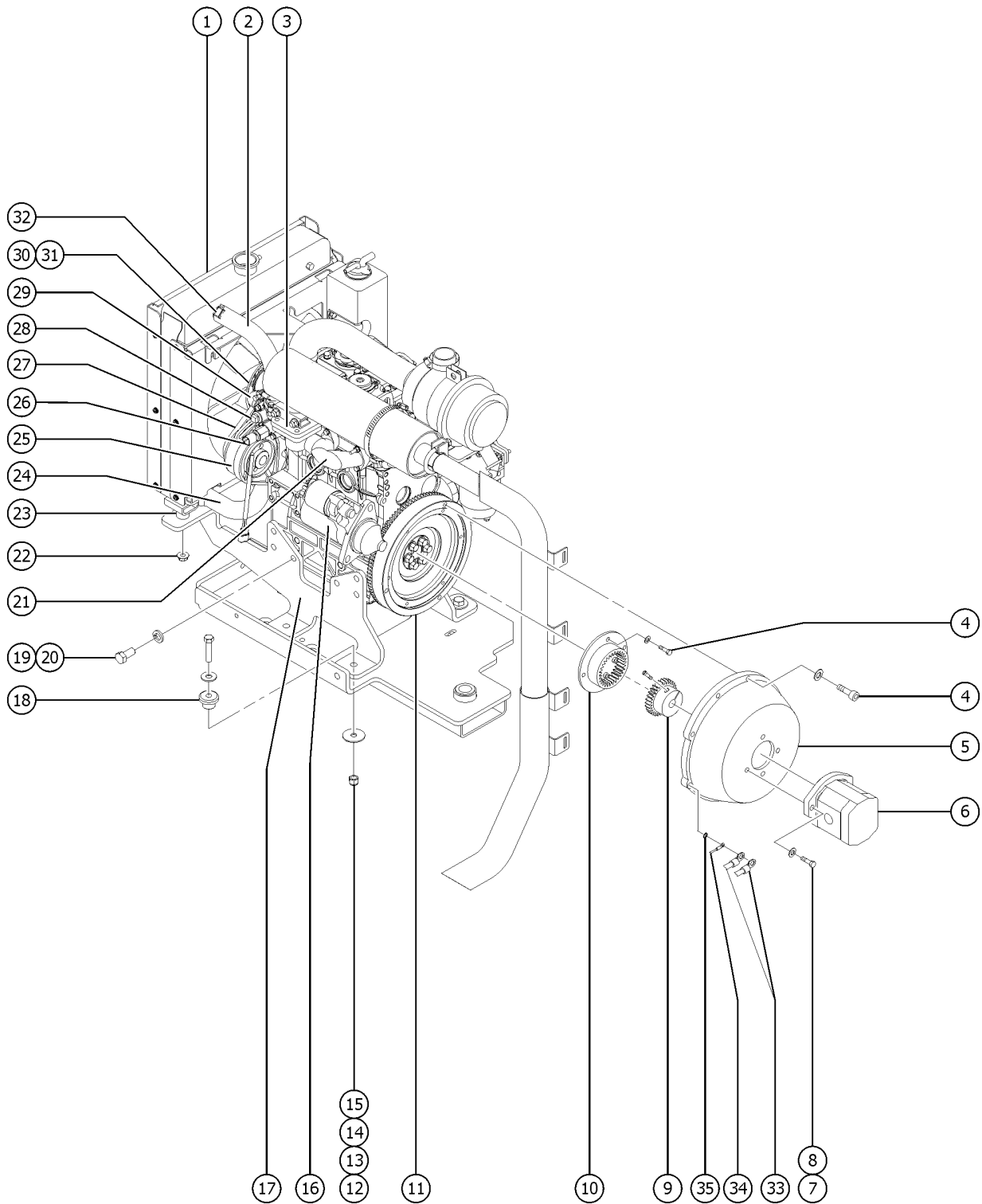


305.1 Perkins 403D-11 Engine, View 1 (to SN GS69F-11000)

Item	Part No.	Description	Qty.
41A	35418GT	HOSE,FUEL,3/16,SAE 30R7 injector nozzle to tank	72 in ches
41A	21465GT	CLAMP,HOSE,.25" - .63" X .3125 sold separately	
42	25929GT	SCREW,HHC,M8 X 30MM,GRD 8.8	2
43	5397GT	WASHER,FLAT,5/16,USS,ZAG	
44	119684GT	AIR CLEANER ASSEMBLY	1
44-	119685GT	BRACKET, AIR CLEANER MT.	
44-	52867GT	FILTER,AIR***	
45	148109GT	TAILPIPE,403D-11,GS69	1
46	62160GT	CLAMP,TAILPIPE, 1 1/2"***	2
47	34955GT	CLAMP, HOSE, 5.00	1
48	229668GT	FORMING, AIR CLNR MNT,PRK 403D P	1
49	94239GT	MUFFLER,RND,TYPE 5,4.57 DIAX	1



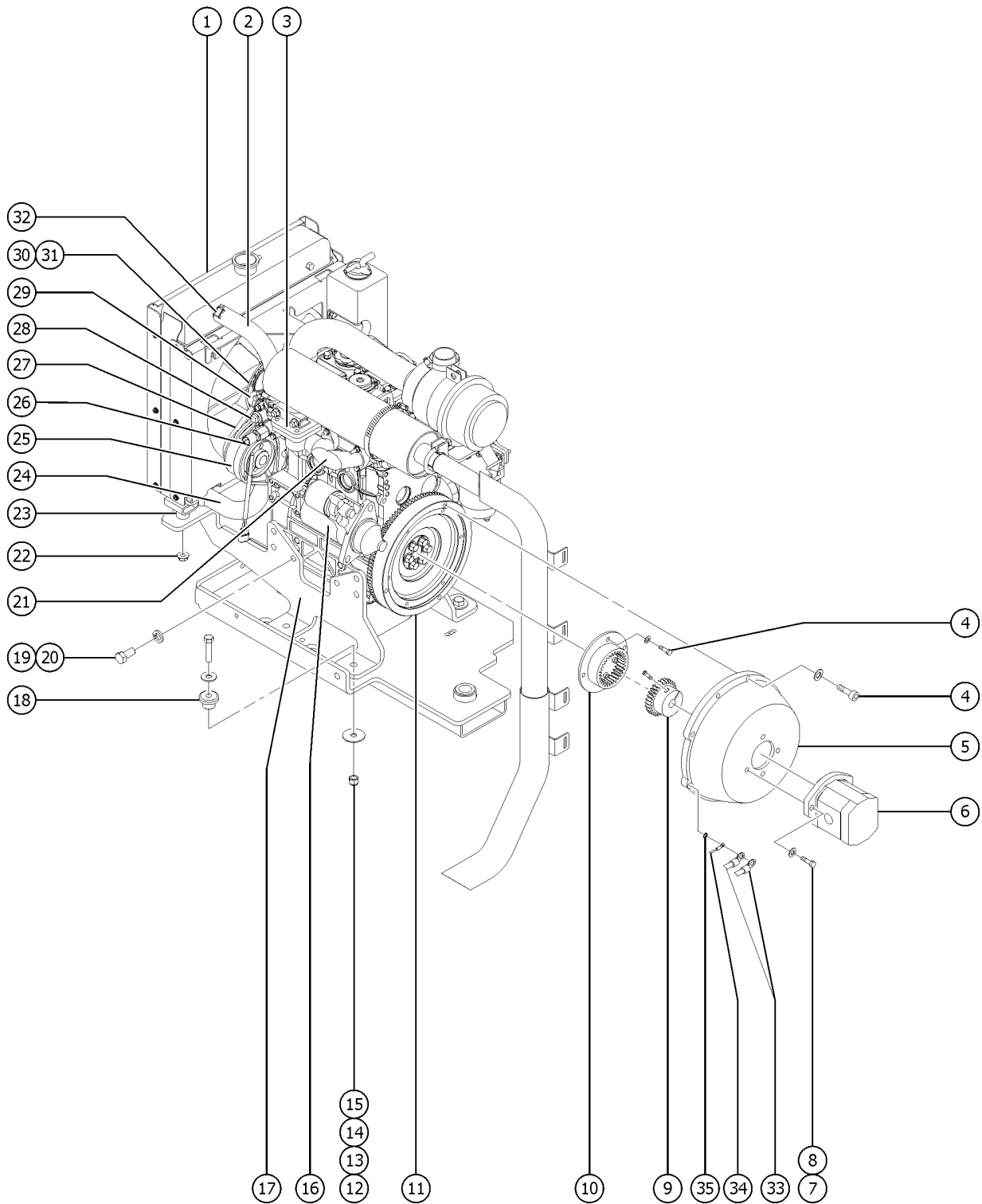
306.1 Perkins 403D-11 Engine, View 2 (to SN GS69F-11000)



Item	Part No.	Description	Qty.
		for internal engine components, contact engine dealer	
1	94232GT	RADIATOR	1
1-	1254823GT	CAP,RADIATOR,PERKINS (94232)	1
2	94242GT	HOSE,RADIATOR,UPPER PERKINS	1
3	94240GT	WELDMENT,HEAD PIPE,PERKINS	1
4	162460GT	HARDWARE KIT,BELLHSNG GRDN (from SN 2312) (includes fasteners for hub adapter and bellhousing)	
5	162459GT	HOUSING,CPLR,APILOT,PERKIN,GRD	
6	1270697GT	PUMP, GEAR, 16CC/REV	1
6-	1273258GT	SEAL KIT,CASAPPA	
7	6175GT	SCREW,HHC,3/8-16 X 1	2
8	219210GT	WASHER,FLAT,SAE,3/8,Y	2
9	162461GT	COUPLER,HUB9TA-APLNSPERKINGDN	
10	94688GT	ADAPTER, FLANGE GEAR, 3 HOLE	
11	101318GT	FLYWHEEL	1
12	6198GT	NUT, NYLOCK, 1/2-13	4
13	112946GT	WASHER,FENDER,.5X2.125	4
14	6095GT	WASHER,FLAT,USS,1/2",Y	4
15	104235GT	SCREW,HHC,1/2-13X2.25 GRD 8	4
16	228458GT	STARTER, PERKINS, 403D Has round mounting holes. See pn 85103gt for starter with oblong mounting holes. No service parts available for 228458gt.	1
17	1254130GT	FORMING,ENG MNT LT,PD	1
18	112929GT	ISOLATOR,ENGINE,CNTR-BOND,50D	4
19	94784GT	SCREW,HHC,M12X1.25X25,GR 8.8	10
20	6033GT	WASHER,LOCK,0.5"	10
21		MANIFOLD,EXHAUST (101325) component no longer available	1
21-	85143GT	GASKET-EXHAUST MANIFOLD/PERKIN	
21-	131665GT	STUDS,EXHAUST	
21-	131664GT	NUTS,EXHAUST	
21-	72343GT	GASKET,EXH FLANGE-FORD/PERKINS	



306.1 Perkins 403D-11 Engine, View 2 (to SN GS69F-11000)

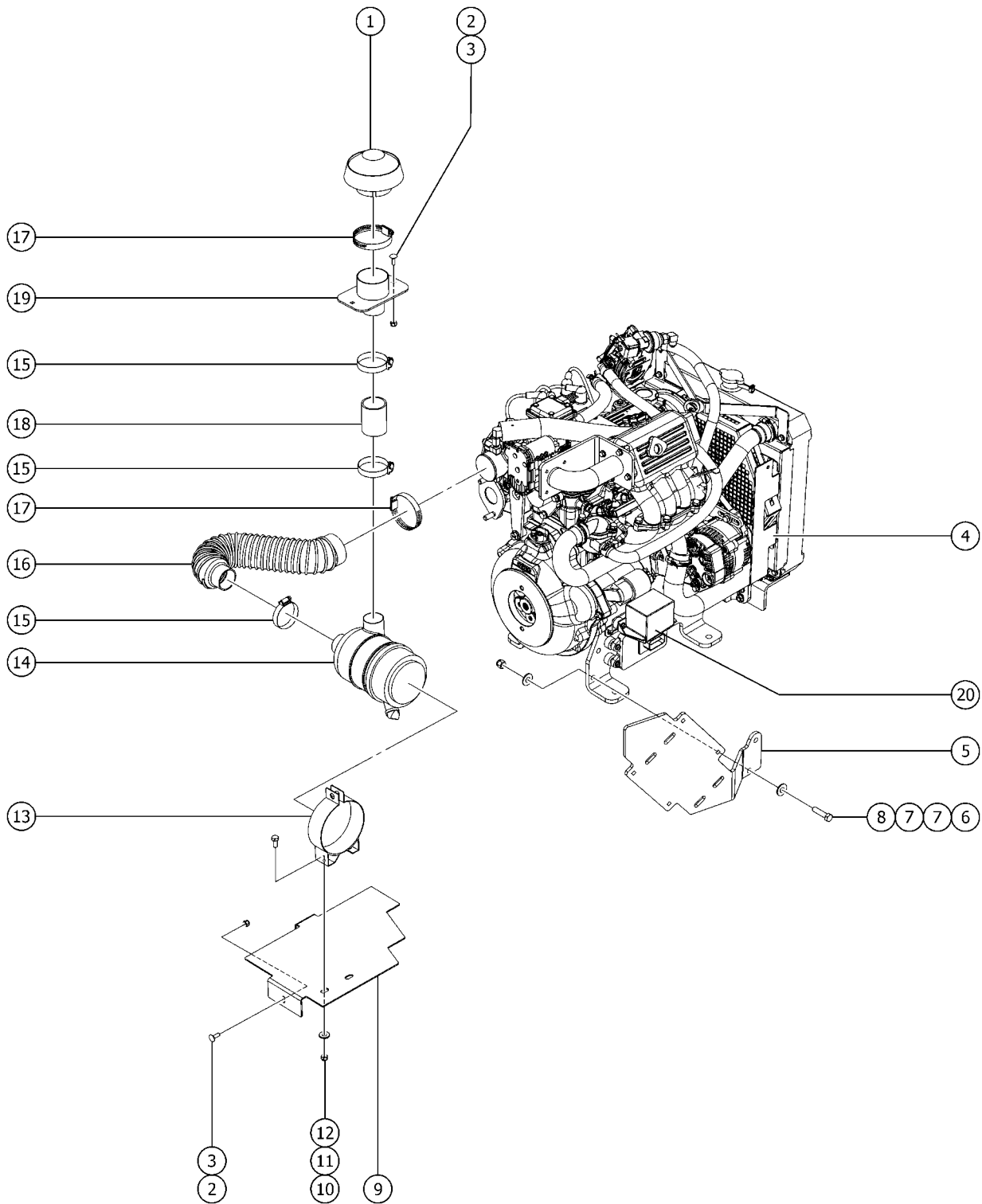


306.1 Perkins 403D-11 Engine, View 2 (to SN GS69F-11000)

<i>Item</i>	<i>Part No.</i>	<i>Description</i>	<i>Qty.</i>
22	18503GT	NUT, LOCKING - LG FLANGE 5/16 - 18	2
23	219437GT	ISOLATOR,VIBRATION	2
24	94243GT	HOSE,RADIATOR,LOWER,PERKINS	1
25	101324GT	ALTERNATOR,40 AMP,INT REGULATE	1
26	97473GT	SENSOR,WATER TEMPERATURE	1
27	85071GT	BELT-FAN, PERKINS (103.10)	1
28	97473GT	SENSOR,WATER TEMPERATURE	1
29	101322GT	PUMP,WATER	1
30	101341GT	FAN	1
31	101319GT	FAN PULLEY	1
32	30348GT	CLAMP,HOSE,1.00	4
33		Ref., HARNESS,BATTERY	
		(refer to 408.1)	
34		Ref., HARNESS,ENGINE	
		(refer to 408.1)	
35	6700GT	WASHER, STAR, EXTERNAL, .375	



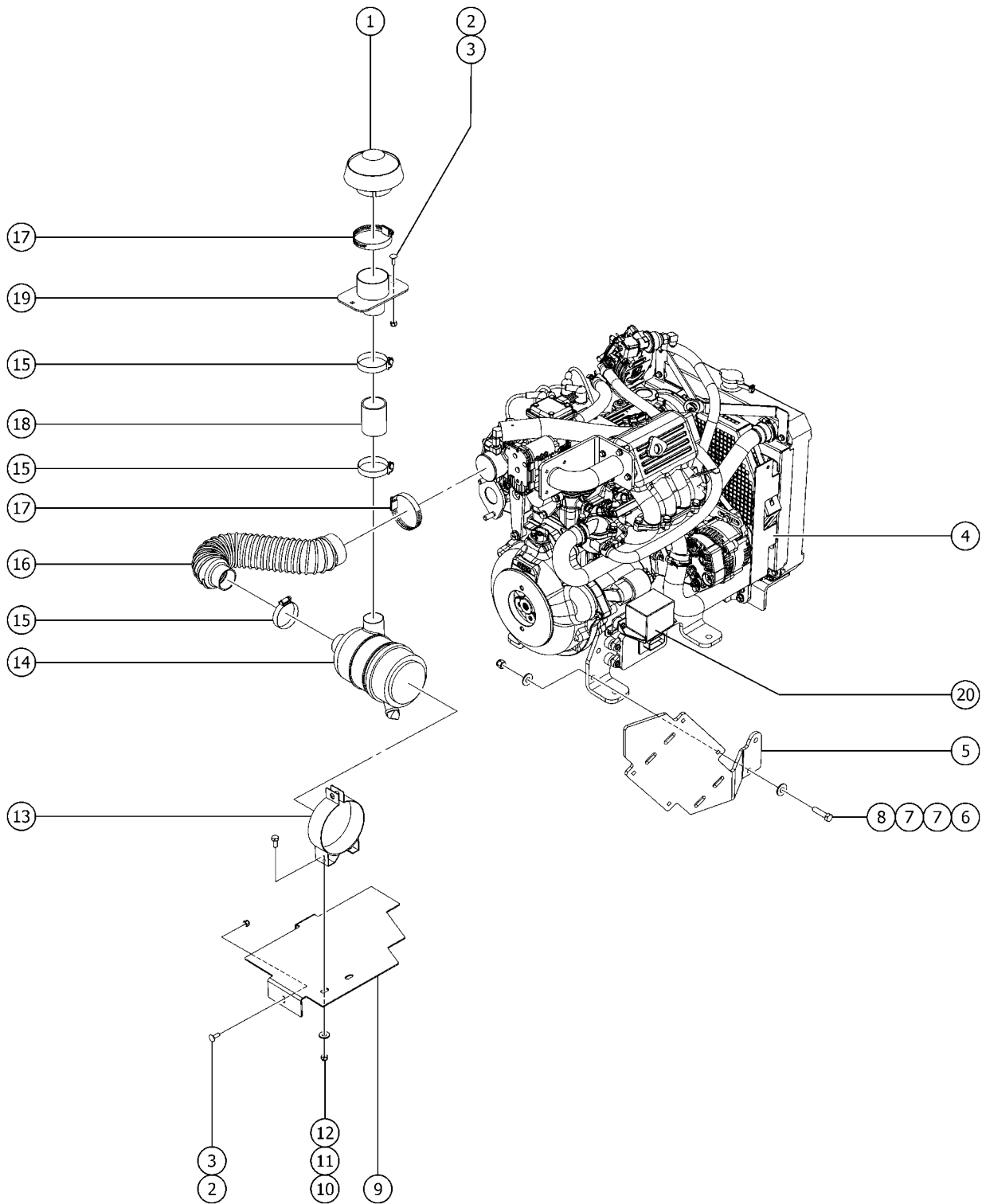
307.1 GM 0.998L Engine, View 1 (to SN GS69F-19984)



Item	Part No.	Description	Qty.
A	1271878GT	STARTER, .998L	
A	1293763GT	DOWEL PIN,STARTER,GM .998L for 1271878	
A	1293765GT	BOLT,STARTER,GM .998L for 1271878	
B	1280391GT	ASSY,FUEL HOSE,5/16"ID,41"L,FI fuel tank to pump	
C	1280296GT	ASSY,FUEL HOSE,5/16"ID,15"L,FI pump to filter	
D	1280297GT	ASSY,FUEL HOSE,5/16"ID,20"L,FI filter to regulator	
E	1280298GT	ASSY,FUEL HOSE,5/16"ID,26"L,FI regulator to tank	
F	1271825GT	ECM, SSI .79L / .97L	
1	52420GT	CAP,RAIN,AIR CLEANER, GS68RT**	1
2	6878GT	BOLT,CARRIAGE,1/4-20 X .75,G2	4
3	6091GT	NUT, NYLOCK, 1/4-20	4
4	1272505GT	FORMING,BELT GUARD,GM .998L	1
5		Ref. FORMING,TAILPIPE SPRT,GM .998 refer to 313.1	1
6	8516GT	SCREW, HCC, 3/8-16 X 1.50	2
7	6097GT	WASHER, FLAT, USS, 3/8", Y	4
8	4828GT	NUT, NYLOCK, 3/8-16	2
9	1270954GT	FORMING,AIR CLNR SPRT,GM .998	1
10	6782GT	NUT, NYLOCK, 5/16-18	2
11	5397GT	WASHER,FLAT,5/16,USS,ZAG	2
12	10107GT	SCREW,HHC,5/16-18 X .75	2
13	119685GT	BRACKET, AIR CLEANER MT.	1
14	119684GT	AIR CLEANER ASSEMBLY	1
14-	52867GT	FILTER,AIR***	
15	35434GT	CLAMP,HOSE,2.00***	3
16	131372GT	HOSE,1.75ID,2.50IDX12.0"	1
17	45435GT	CLAMP,HOSE,2.50****	2
18	1266292GT	HOSE, AIR, 1.75"ID X 2.5"L	1
19	1266263GT	WELDMENT,RAIN CAP,GM .998L	1



307.1 GM 0.998L Engine, View 1 (to SN GS69F-19984)

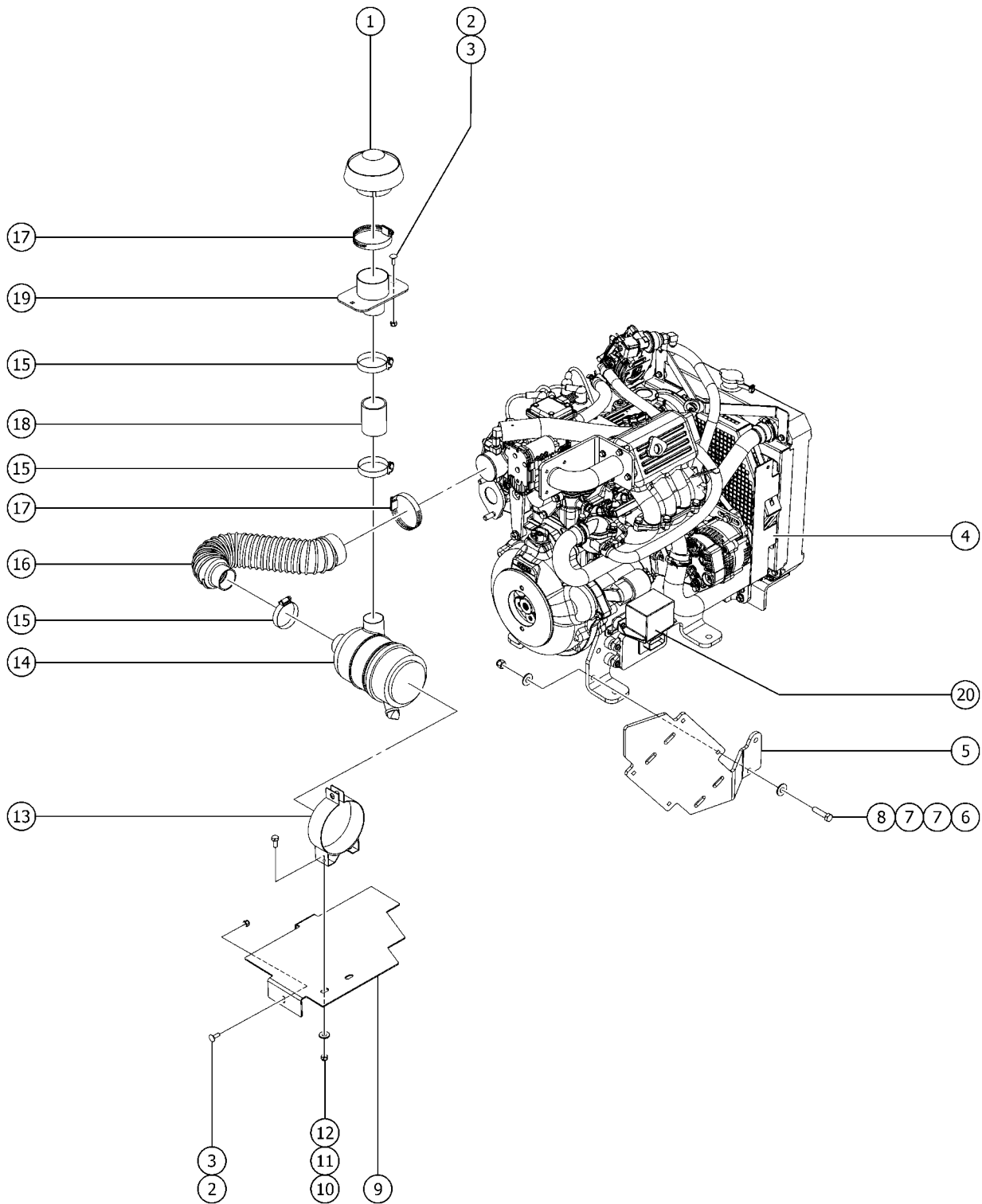


307.1 GM 0.998L Engine, View 1 (to SN GS69F-19984)

<i>Item</i>	<i>Part No.</i>	<i>Description</i>	<i>Qty.</i>
20	1271832GT	HARNESS, BI-FUEL .998L harness and fuse box	1



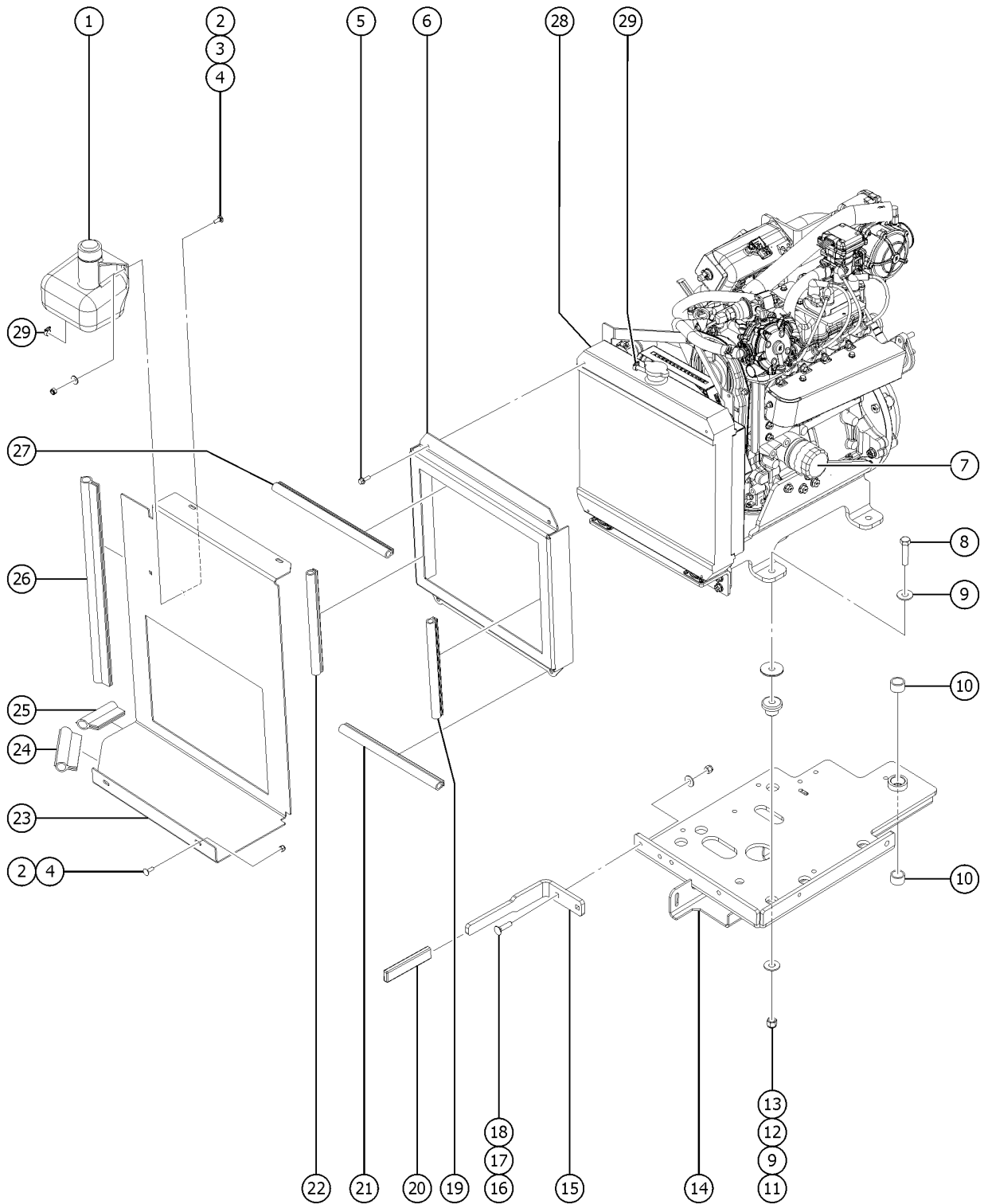
307.2 GM 0.998L Engine, View 1 (from SN GS69F-19985)



Item	Part No.	Description	Qty.
A	1271878GT	STARTER, .998L	
A	1293763GT	DOWEL PIN,STARTER,GM .998L for 1271878	
A	1293765GT	BOLT,STARTER,GM .998L for 1271878	
B	1280391GT	ASSY,FUEL HOSE,5/16"ID,41"L,FI fuel tank to pump	
C	1311998GT	ASSY,FUEL HOSE,5/16"ID,14"L,FI	
D	1311999GT	ASSY,FUEL HOSE,5/16"ID,34"L,FI	
E	1271825GT	ECM, SSI .79L / .97L	
1	52420GT	CAP,RAIN,AIR CLEANER, GS68RT**	1
2	6878GT	BOLT,CARRIAGE,1/4-20 X .75,G2	4
3	6091GT	NUT, NYLOCK, 1/4-20	4
4	1272505GT	FORMING,BELT GUARD,GM .998L	1
5		Ref. FORMING,TAILPIPE SPRT,GM .998 refer to 313.1	1
6	8516GT	SCREW, HCC, 3/8-16 X 1.50	2
7	6097GT	WASHER, FLAT, USS, 3/8", Y	4
8	4828GT	NUT, NYLOCK, 3/8-16	2
9	1270954GT	FORMING,AIR CLNR SPRT,GM .998	1
10	6782GT	NUT, NYLOCK, 5/16-18	2
11	5397GT	WASHER,FLAT,5/16,USS,ZAG	2
12	10107GT	SCREW,HHC,5/16-18 X .75	2
13	119685GT	BRACKET, AIR CLEANER MT.	1
14	119684GT	AIR CLEANER ASSEMBLY	1
14-	52867GT	FILTER,AIR***	
15	35434GT	CLAMP,HOSE,2.00***	3
16	131372GT	HOSE,1.75ID,2.50IDX12.0"	1
17	45435GT	CLAMP,HOSE,2.50"***	2
18	1266292GT	HOSE, AIR, 1.75"ID X 2.5"L	1
19	1266263GT	WELDMENT,RAIN CAP,GM .998L	1
20	1271832GT	HARNESS, BI-FUEL .998L harness and fuse box	1



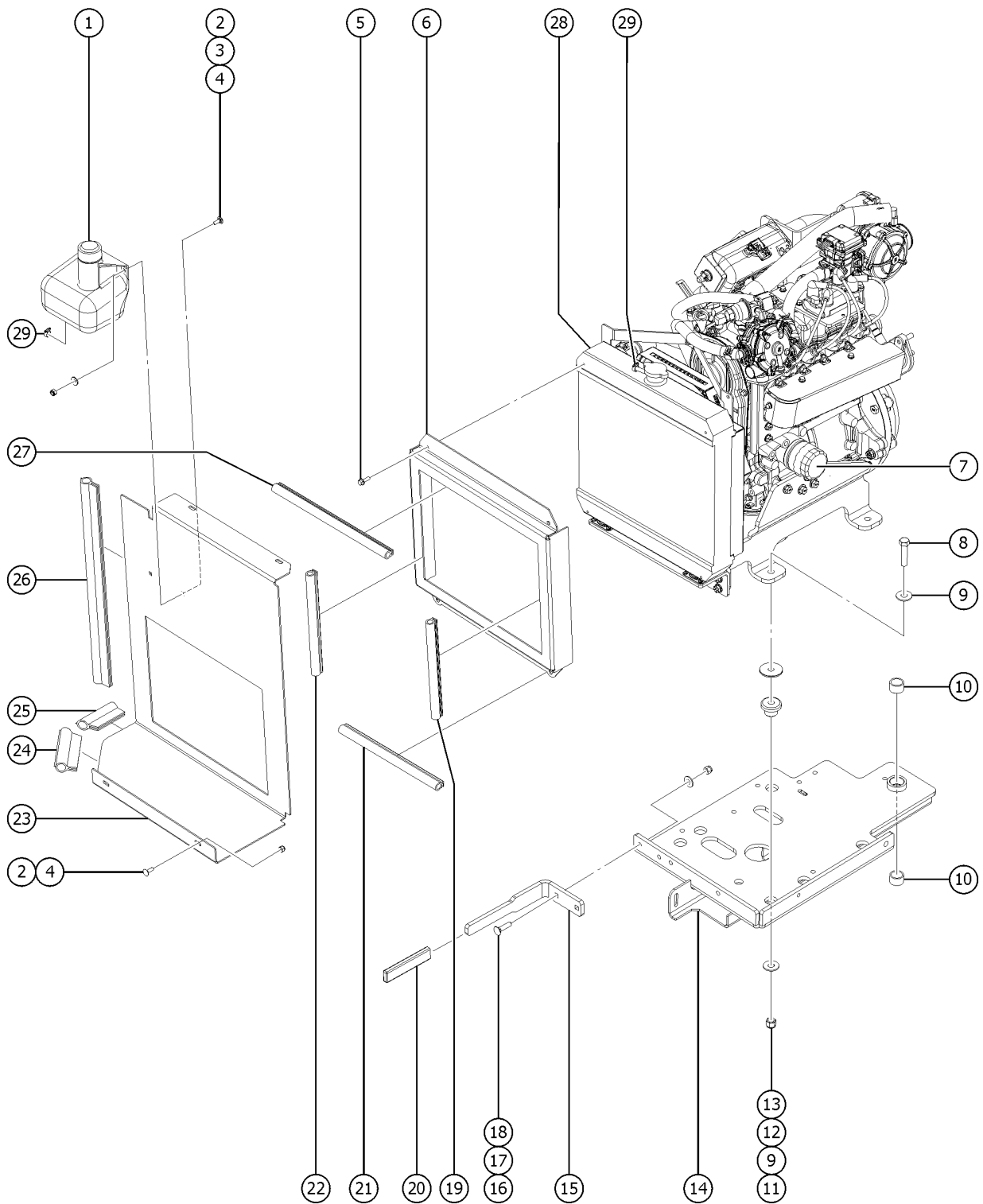
308.1 GM 0.998L Engine, View 2



Item	Part No.	Description	Qty.
A	1281807GT	ALTERNATOR,GM .998L,PSI,Z34	
B	1295186GT	GASKET,CAM SENSOR,GM .998L	
1	42662GT	COOLANT RECOVERY BOTTLE1.5 QT*	1
2	6878GT	BOLT,CARRIAGE,1/4-20 X .75,G2	4
3	6638GT	WASHER, FLAT, USS, 1/4"Y	2
4	6091GT	NUT, NYLOCK, 1/4-20	4
5	231532GT	SCREW,HHF,M6-1.0X20,DIN6921,10.9,ZAB	4
6	1265863GT	FORMING,RDTR SHROUD,GM .998L	1
7	1272828GT	OIL FILTER, GM .998L	1
7B	1283282GT	SWITCH,OIL PRESSURE,GM .998L	1
8	104235GT	SCREW,HHC,1/2-13X2.25 GRD 8	4
9	6095GT	WASHER,FLAT,USS,1/2",Y	8
10	51474GT	BEARING,1.00IDX1.25ODX0.75L	2
11	6198GT	NUT, NYLOCK, 1/2-13	4
12	112929GT	ISOLATOR,ENGINE,CNTR-BOND,50D	4
13	112946GT	WASHER,FENDER,.5X2.125	4
14		REF. WELDMENT,ENGINE SWING TRAY,GS69 refer to 402.1	
15	1268768GT	HANDLE, ENGINE TRAY, GM .998L to SN GS69F-20929	1
16	60790GT	BOLT,CARRIAGE,3/8-16 X1.50,G5 to SN GS69F-20929	2
17	6097GT	WASHER, FLAT, USS, 3/8", Y to GS69F-20929	2
17B	1255758GT	WASHER,FLAT,3/8,USS,ZAG from GS69F-20930	2
18	4828GT	NUT, NYLOCK, 3/8-16	2
19	119218GT	TRIM,EDGE,1/8X3/4 SIDE BULB	10 in ch es
20	1268767GT	COVER, HANDLE, YELLOW to SN GS69F-20929	1
21	119218GT	TRIM,EDGE,1/8X3/4 SIDE BULB	12 in ch es
22	119218GT	TRIM,EDGE,1/8X3/4 SIDE BULB cut to 10.5 inches	11 in ch es



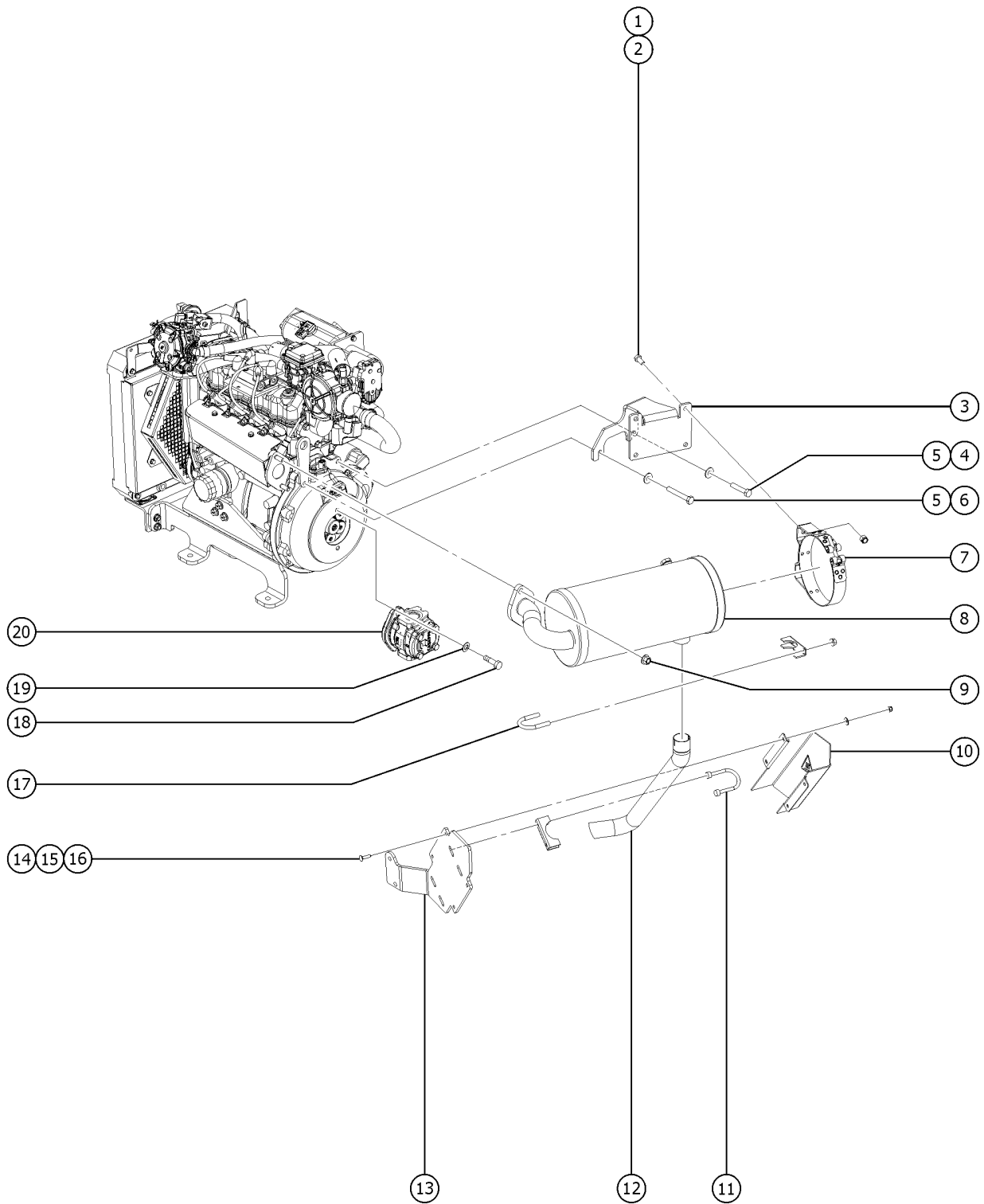
308.1 GM 0.998L Engine, View 2



Item	Part No.	Description	Qty.
23	1266127GT	FORMING,RDTR INTERFACE,GM.998L	1
24	148394GT	SEAL,RUBBER,1" BULB cut to 5.5 inches	6 in ch es
25	148394GT	SEAL,RUBBER,1" BULB	4 in ch es
26	148394GT	SEAL,RUBBER,1" BULB	21 in ch es
27	119218GT	TRIM,EDGE,1/8X3/4 SIDE BULB	14 in ch es
28	1271729GT	KIT, RADIATOR .998L use until exhaust (replaced by 1271731GT)	
28B	1271731GT	RADIATOR, GENSET SSI	
29	87584GT	CLAMP,HOSE,SELF TIGHT, 7/16	2



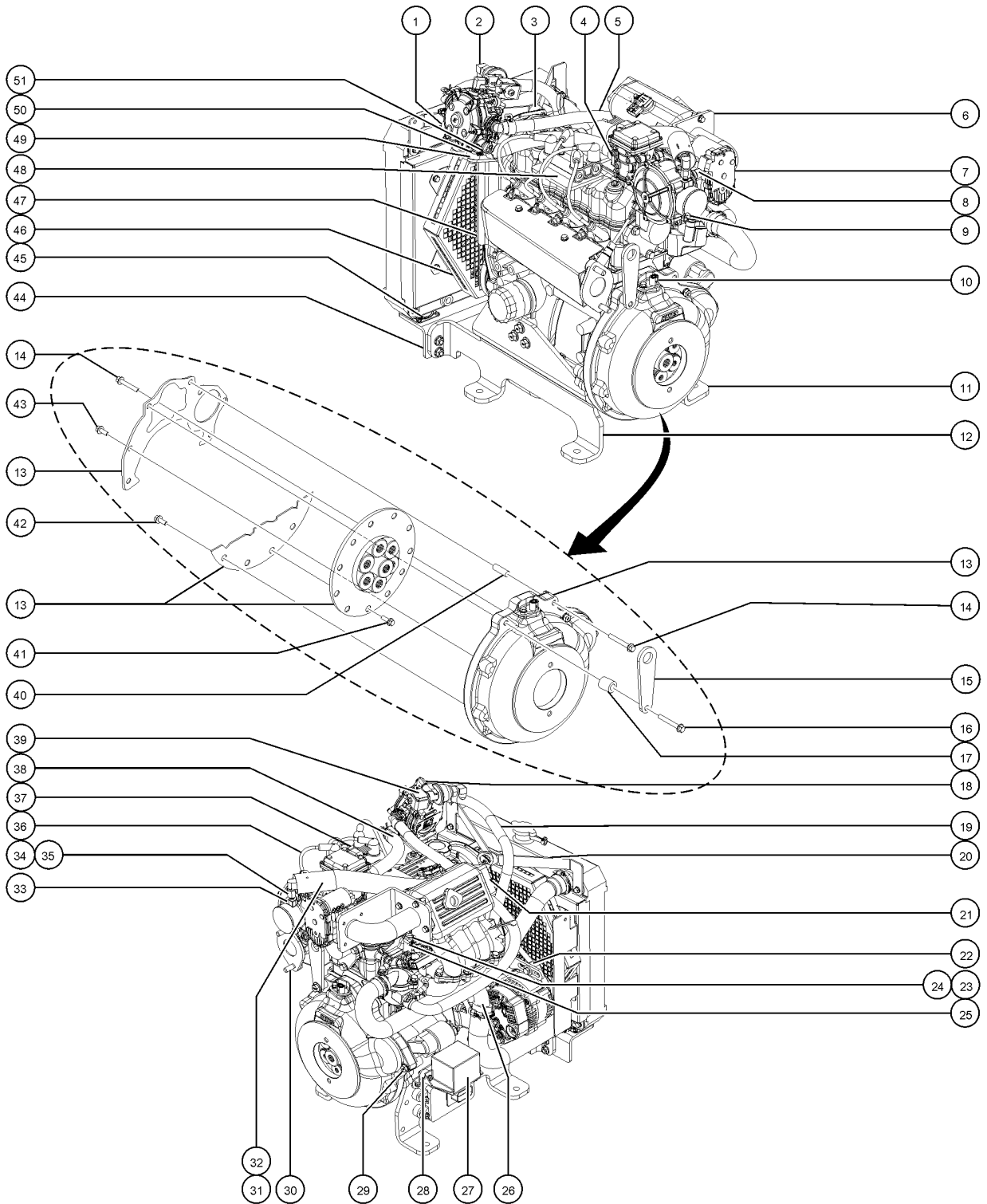
309.1 GM 0.998L Engine, View 3



Item	Part No.	Description	Qty.
1	77692GT	SCREW,HHC,3/8-16 X 1 GRD 8	4
2	4828GT	NUT, NYLOCK, 3/8-16	4
3	1270952GT	FORMING,CAT SUPPORT,GM .998L	1
4	1272952GT	SCREW, HHC, M10 X 1.25 X 50MM	1
5	6097GT	WASHER, FLAT, USS, 3/8", Y	2
6	1272953GT	SCREW, HHC, M10 X 1.25 X 70MM	1
7	1271717GT	CLAMP, MUFFLER MOUNT, GM .998	2
8	1272457GT	CATALYTIC MUFFLER,GM .998L	1
8-	51735GT	PLUG,HOLLOW HEX 3/8" NPT	
9	231529GT	NUT,TL FLG,M10-1.5,DIN6927,10	2
10	1272458GT	HEAT SHIELD,TAILPIPE,GM .998L	1
11	32064GT	CLAMP,MUFFLER,1.75 INCH	2
12	1271715GT	TAILPIPE, GM .998L, GS69	1
13	1270955GT	FORMING,TAILPIPE SPRT,GM .998	1
14	79456GT	BOLT,CARRIAGE,1/4-20 X 1.00,G2	4
15	6638GT	WASHER, FLAT, USS, 1/4"Y	4
16	6091GT	NUT, NYLOCK, 1/4-20	4
17	62160GT	CLAMP,TAILPIPE, 1 1/2"***	1
18	6175GT	SCREW,HHC,3/8-16 X 1	2
19	219210GT	WASHER,FLAT,SAE,3/8,Y	2
20	1270697GT	PUMP, GEAR, 16CC/REV from SN GS6916F-9033	1
20-	1273258GT	SEAL KIT,CASAPPA for pump 1270697	
20B	87918GT	PUMP,GEAR,16CC*** to SN GS6916F-9032	
20B-	85197GT	SEAL KIT,BOSCH PUMP*** for pump 87918	



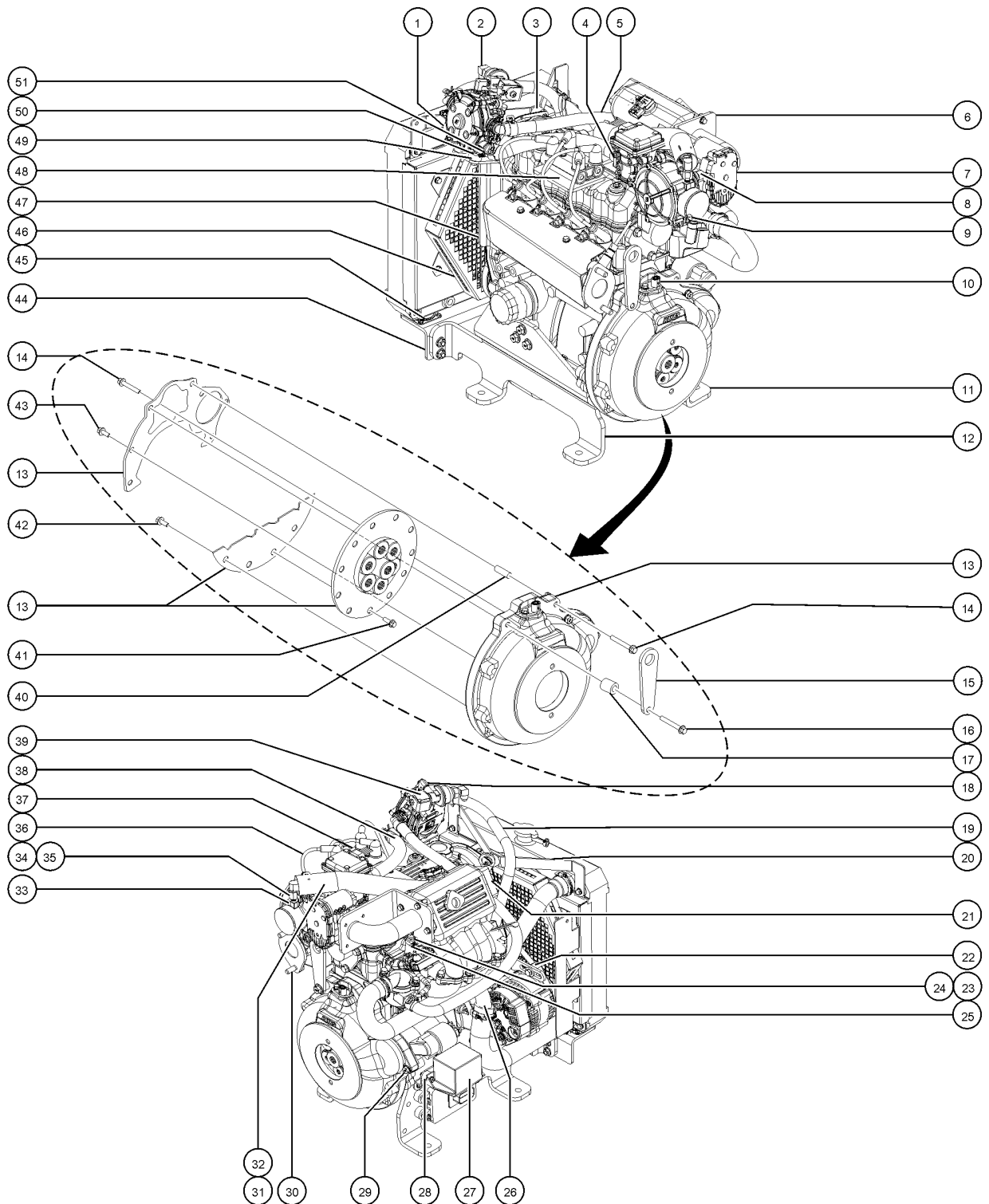
310.1 GM 0.998L Engine, View 4



Item	Part No.	Description	Qty.
A	1271729GT	KIT, RADIATOR .998L use until exhaust (replaced by 1271731GT)	1
B	1271731GT	RADIATOR, GENSET SSI	1
C	1271797GT	KIT, VAPORIZER .998L	
D	1271823GT	KIT, ELECTRICAL .998L no longer available, order individual components	
D-	1298687GT	ECM,SSI,.79L/.97L	
D-	1298688GT	ISOLATOR, 1.00" DIA X .50" P/S 1/4-20, NR	
D-	1298690GT	BRACKET, FUSE BOX .998L	
D-	1298691GT	BRACKET, COIL, .998L	
D-	1298695GT	SCREW, 1/4-20X5/8 HX FLNG SER,GR5	
D-	1298695GT	SCREW, 1/4-20X5/8 HX FLNG SER,GR5	
D-	1298696GT	SCREW,M6X1.0X16 HX FLNG SER CL8.8	
D-	1298697GT	SCREW,M6X1.0X35 HX FLNG SER,CL8.8	
D-	1298698GT	BOLT,1/4-20X3/8 FLANGE HD SER	
D-	1298699GT	BOLT,1/4-20X3/4 FLANGE HEAD	
D-	1298700GT	WASHER,5/16 STAR EXTERNAL	
D-	1298701GT	SCREW,M8X1.25X12,HX FLNG NS,CL8.8	
D-	1298702GT	NUT,M6X1.0 HX FLNG NS CL8	
E	1271848GT	KIT, EXHAUST .998L No longer available, for service replacement, order lower level components 1271849GT(Exhaust manifold), 1293500(Bolt), 1335621GT (Nut), 1271850GT (Stud), 1271851 (Gasket), 1335622GT(Sheild)	
F	1271833GT	KIT, ENGINE MOUNT .998L	
G	1271853GT	KIT, CCV .998L	
H	1271860GT	KIT, COOLANT PLUG .998L	
I	1271867GT	FAN, PULLER 12.25" 30 DEG	
I-	1308271GT	WASHER, LOCK M6	
I-	1308272GT	SCREW, M6 X 1.0 X 60 SKT CAP, CL12.9	
J	1271876GT	KIT, STARTER .998L	
K	1271879GT	KIT, ALTERNATOR MOUNT .998L	
L	1271836GT	KIT, DEPR LP .998L	



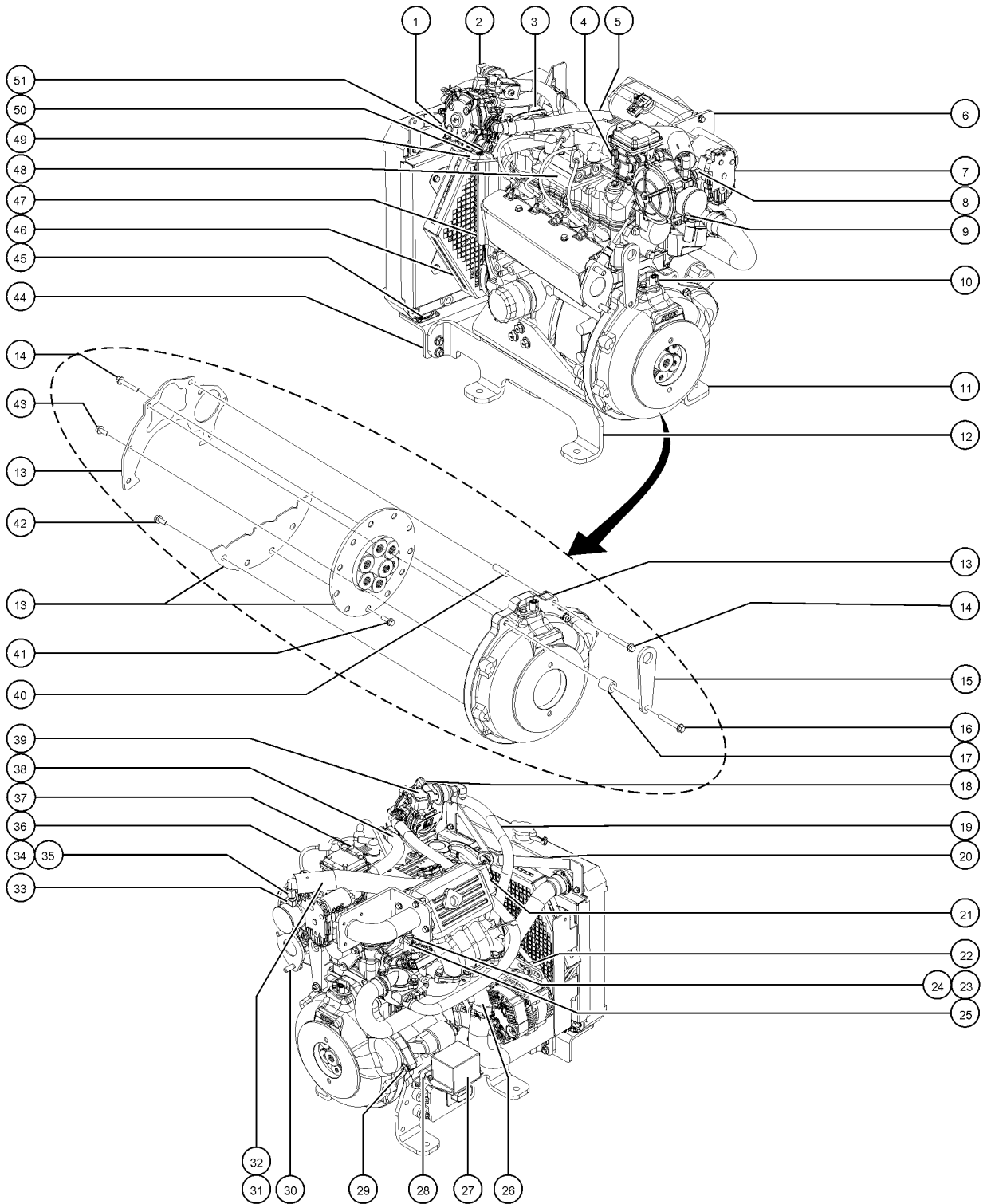
310.1 GM 0.998L Engine, View 4



Item	Part No.	Description	Qty.
M	1272457GT	CATALYTIC MUFFLER,GM .998L	
N	1271717GT	CLAMP, MUFFLER MOUNT, GM .998	
O	1271871GT	FITTING & GASKET FOR FUEL PUMP	
P	1271872GT	FTG, -6 STOR-5/16 SAE J2044	
Q	1271866GT	SPACER, FAN 1.625" PUSHER SSI	
R	1271923GT	STUD, M5-.80 x 25	4
S	1271810GT	TERMINAL, METRIPAK MALE CONNEC	
T	1271811GT	SEAL, CONNECTOR 16 GA WIRE	
U	1271812GT	CONNECTOR, FUEL LOCKOFF MP 2PI	
V	1271813GT	LOCK, FUEL LOCKOFF CONNECTOR	
W	1295186GT	GASKET,CAM SENSOR,GM .998L	
1	1271815GT	FITTING, 70 DEGREE SWEPT 5/8"	2
2	1304960GT	FITTING,VAPORIZER,1/4 MPT X 3/8 FLARE 90	1
3	1271735GT	ISOLATOR, STUD MOUNT M6 X 1.0	1
4	1271842GT	FTG, D19 FUEL INLET 3/4" BARB	1
5	1271802GT	HOSE, 5/8 TO 3/4 MOLDED WATER	1
5-	1271799GT	LOOM, SPLIT 7/8", 50 INCHES	
6	1271846GT	ADAPTOR, THROTTLE 90 DEG .998L	1
6-	1271845GT	GASKET, THROTTLE BODY 40MM	1
7	1271837GT	THROTTLE BODY, 40MM	1
8	1271840GT	ADAPTER, E100 MIXER TO BOSCH40	1
8-	1271838GT	O-RING, -134 BUNA-N, UL, 40MM no longer available (replaced by 1272054GT)	1
8-	1272054GT	ORING, MIXER ADAPTER, GM3.0L ENG	1
8-	1271843GT	SPACER, RING 40MM THROTTLE	1
8-	1271847GT	GASKET, INTAKE ADAPTER .97L	1
9	1271839GT	PLUG, 1/8-27 NPTF HX SKT BRASS	1
10	1271827GT	SENSOR, CRANKSHAFT POSITION no longer available (replace by 1272067GT)	1
10B	1272067GT	SENSOR, CRANK, GM3.0L ENG	1



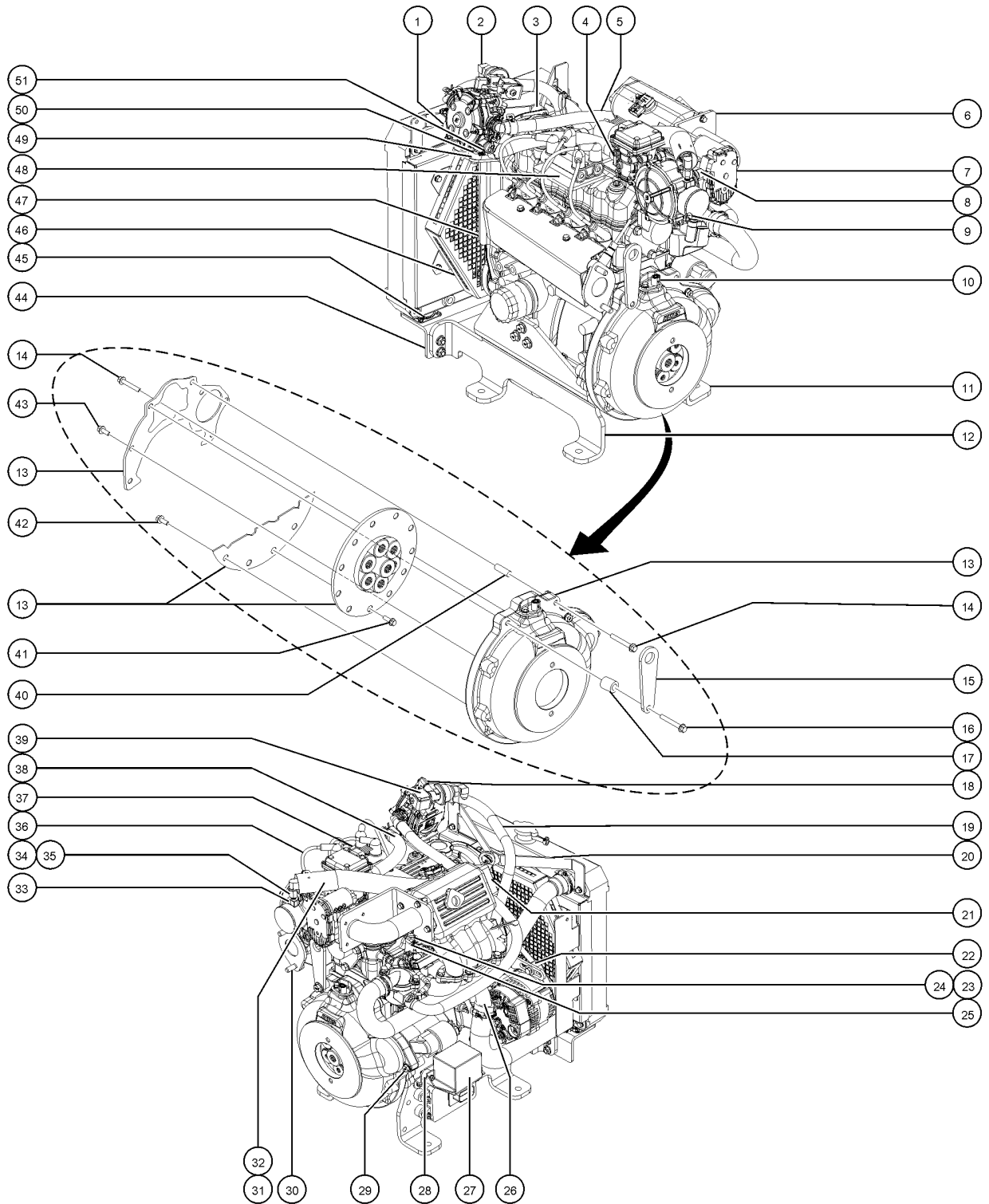
310.1 GM 0.998L Engine, View 4



Item	Part No.	Description	Qty.
11	1271834GT	MOUNT, ENGINE RIGHT .998L	1
12	1271835GT	MOUNT, ENGINE LEFT .998L	1
13	1293497GT	HOUSING, FLYWHEEL SAE A 998L	1
13-	1307136GT	ASSY, FLYWHEEL WITH RING GEAR (order seperately)	
14	1293505GT	SCREW	3
15	1293499GT	STRAP, LIFTING EYE	1
16	1293503GT	SCREW	1
17	1293498GT	SPACER, IDLER-SH, GM .998L	1
18	1271801GT	FITTING, 1/4MPT X 1/4MPT 90 DE	1
19	1271798GT	HOSE, WATER 5/8"ID, 60 PSI, 22	1
19-	1271799GT	LOOM, SPLIT 7/8", 50 INCHES	
19-	1271806GT	CLAMP, HOSE 7/8" SPRING	4
20	1271751GT	BRACKET, RAD STAYBAR .998L	1
21	1271728GT	CLAMP, 3/8" M4	1
22	1271880GT	BRACKET, ALTERNATOR .998L	1
23	1271863GT	FITTING, 3/8 MPT X 3/8 HB	1
24	1271862GT	CAP, BRASS 3/8" FPT	1
25	1271861GT	HOSE, HEATER 3/8"ID, RUBBER, 2	2
25-	1271864GT	CLAMP, CONSTANT TENSION #17	2
26	1271736GT	INLET, WATER .998L	1
26-	1271754GT	GASKET, WATER INLET .998L	1
27	1271832GT	HARNESS, BI-FUEL .998L	1
28	1271826GT	ISOLATOR, RELAY BOX	5
29	1271877GT	DOWEL, 11MM OD X 8.5MM ID X 12	2
30	1271850GT	STUD, EXHAUST OUTLET 4033440	2
31	1271859GT	INSULATION, FYREJACKET 1.5", 1	
32	1271858GT	HOSE, FUEL 1/2", 15 INCHES	
32-	1271856GT	CLAMP, HOSE 15/16" SPRING	2



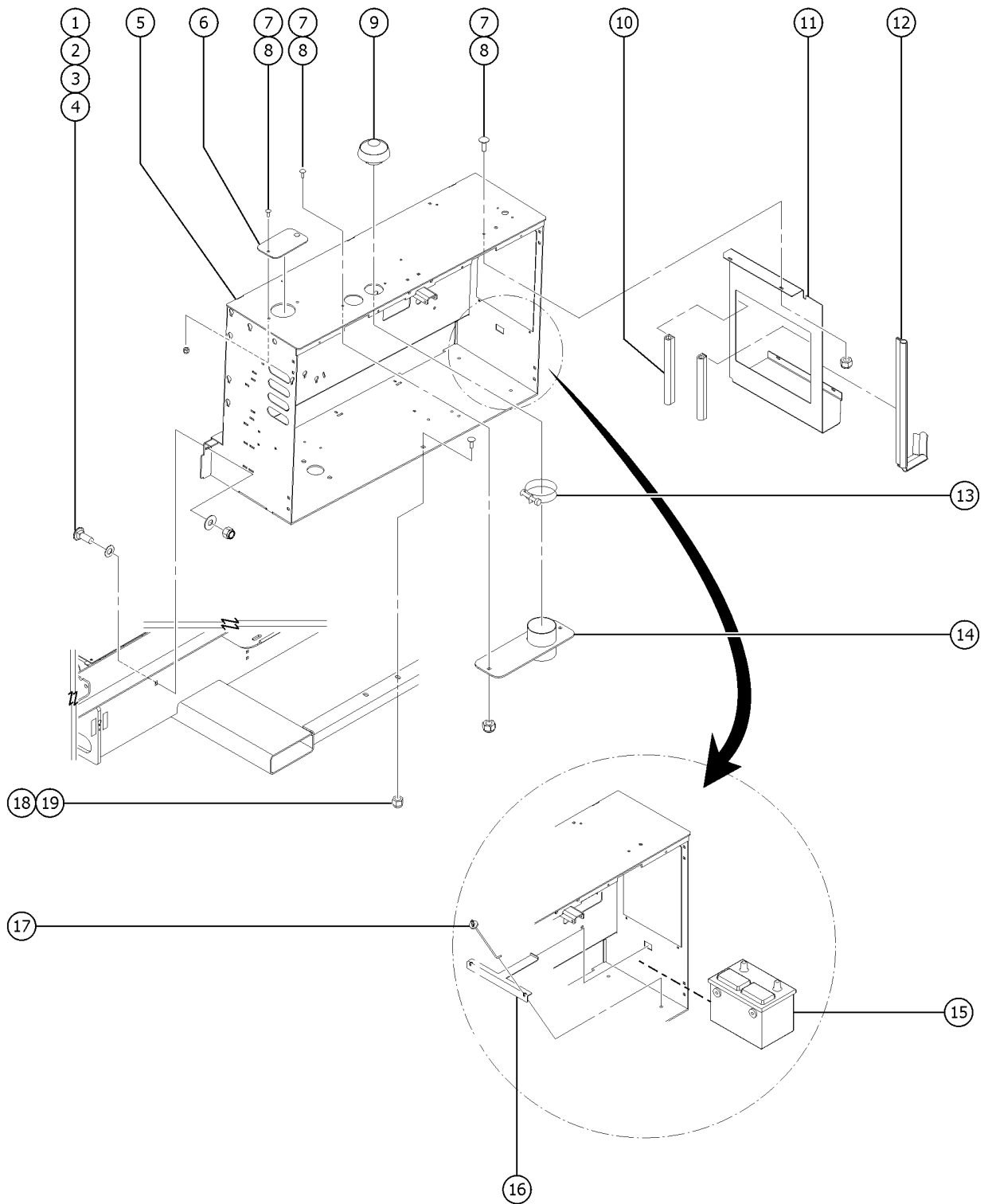
310.1 GM 0.998L Engine, View 4



Item	Part No.	Description	Qty.
33	1271855GT	ADAPTER M/F 1/8"	1
34	1271857GT	ELBOW, 90DEG1/8NPT X 1/4NPT	1
35	1271854GT	FITTING, 1/4 NPT X 1/2 HB	1
36	1271830GT	WIRES, IGNITION .97L	1
37	1271831GT	COIL, IGNITION .97L	1
38	1271803GT	HOSE, FUEL 3/4", 11 INCHES	1
38-	1271800GT	LOOM, SPLIT 1 1/4", 9 INCHES	1
38-	1271805GT	CLAMP, HOSE 1-1/16" SPRING	2
39	1271808GT	VALVE, LOCK-OFF W/FILTER	1
40	1293502GT	DOWEL,PIN	2
41	1293501GT	SCREW	6
42	1293500GT	SCREW	3
42B	1299183GT	SCREW, HHF, M10-1.25X50MM, GR10.9,YEL ZINC engine ground bolt	1
43	1293504GT	SCREW	1
44	1271737GT	BRACKET, RADIATOR .998L	1
45	1271734GT	ISOLATOR, PLATE MOUNT .391 ID	2
46	1271733GT	GUARD, FAN SSI RAD	1
47	1271818GT	BRACKET, VAPORIZER .998L	1
48	1271829GT	BRACKET, COIL .998L	1
49	1271804GT	MOUNT, VIBRATION DAMPENING	3
50	1271814GT	BRACKET, VAPORIZER ISOLATION	1
51	1271807GT	FITTING, FUEL SWEPT 70 DEG 3/4	0



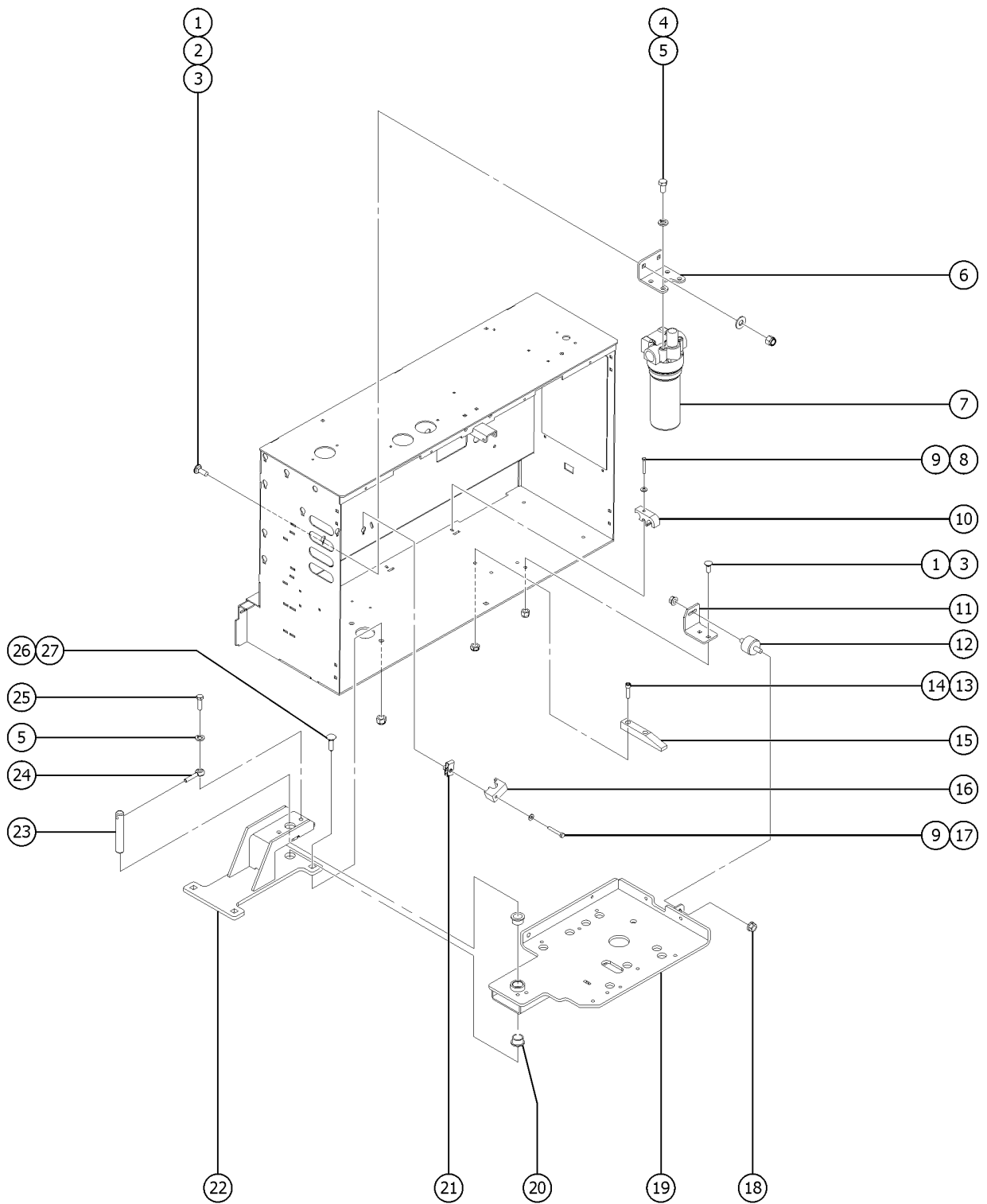
401.1 Engine Tray Components, View 1



Item	Part No.	Description	Qty.
1	64154GT	BOLT, CARRIAGE, 3/8-16 X 1.00, G5	2
2	87684GT	PUSH RETAINER FOR 3/8"THR D SCREW	2
3	6097GT	WASHER, FLAT, USS, 3/8", Y	2
4	4828GT	NUT, NYLOCK, 3/8-16	2
5	1253427GT	WELDMNT,BOX,ENGINE	1
6	1269612GT	PLATE, RAIN HAT COVER, GS69 (for Kubota WG-972, Kubota D-1105 & Perkins 403D-11)	1
7	6878GT	BOLT,CARRIAGE,1/4-20 X .75,G2	6
8	6091GT	NUT, NYLOCK, 1/4-20	6
9	52420GT	CAP,RAIN,AIR CLEANER, GS68RT**	1
10	233821GT	SEAL, RUBBER 90D BULB, 14IN (for Kubota D-1105 & Perkins 403D-11)	2
11A	1254112GT	FORMING,RAD.INTERFACE,KD,PD (for Kubota D-1105 & Perkins 403D-11)	1
11B	1266127GT	FORMING,RDTR INTERFACE,GM.998L (for GM .998L)	1
12A	233823GT	SEAL, RUBBER STRT BULB, 21" (for Kubota D-1105 & Perkins 403D-11)	1
12B	233824GT	SEAL, RUBBER STRT BULB, 9.5" (for Kubota D-1105 & Perkins 403D-11)	1
12C	148394GT	SEAL,RUBBER,1" BULB (for GM .998L)	21 in ch es
12C	148394GT	SEAL,RUBBER,1" BULB (for GM .998L)	4 in ch es
12C	148394GT	SEAL,RUBBER,1" BULB (for GM .998L) (cut to 5.5 inches)	6 in ch es
13	45435GT	CLAMP,HOSE,2.50****	1
14A	99097GT	WELDMNT,RAIN CAP MNT, KUBOTA	1
14B	1254134GT	WELDMNT,RAIN CAP MNT,PERKINS (for Perkins 403D-11 & GM .998L)	1
14C	1266263GT	WELDMNT,RAIN CAP,GM .998L (for GM .998L)	1
15	36872GT	BATTERY, 12V	1
16	1254421GT	FORMING,BATTERY TIE DOWN	1
17	45708GT	HOOK-BATT HOLD DOWN 10"LG	2
18	6198GT	NUT, NYLOCK, 1/2-13	1
19	96203GT	BOLT,CARRIAGE,1/2-13X1.75, G5	1



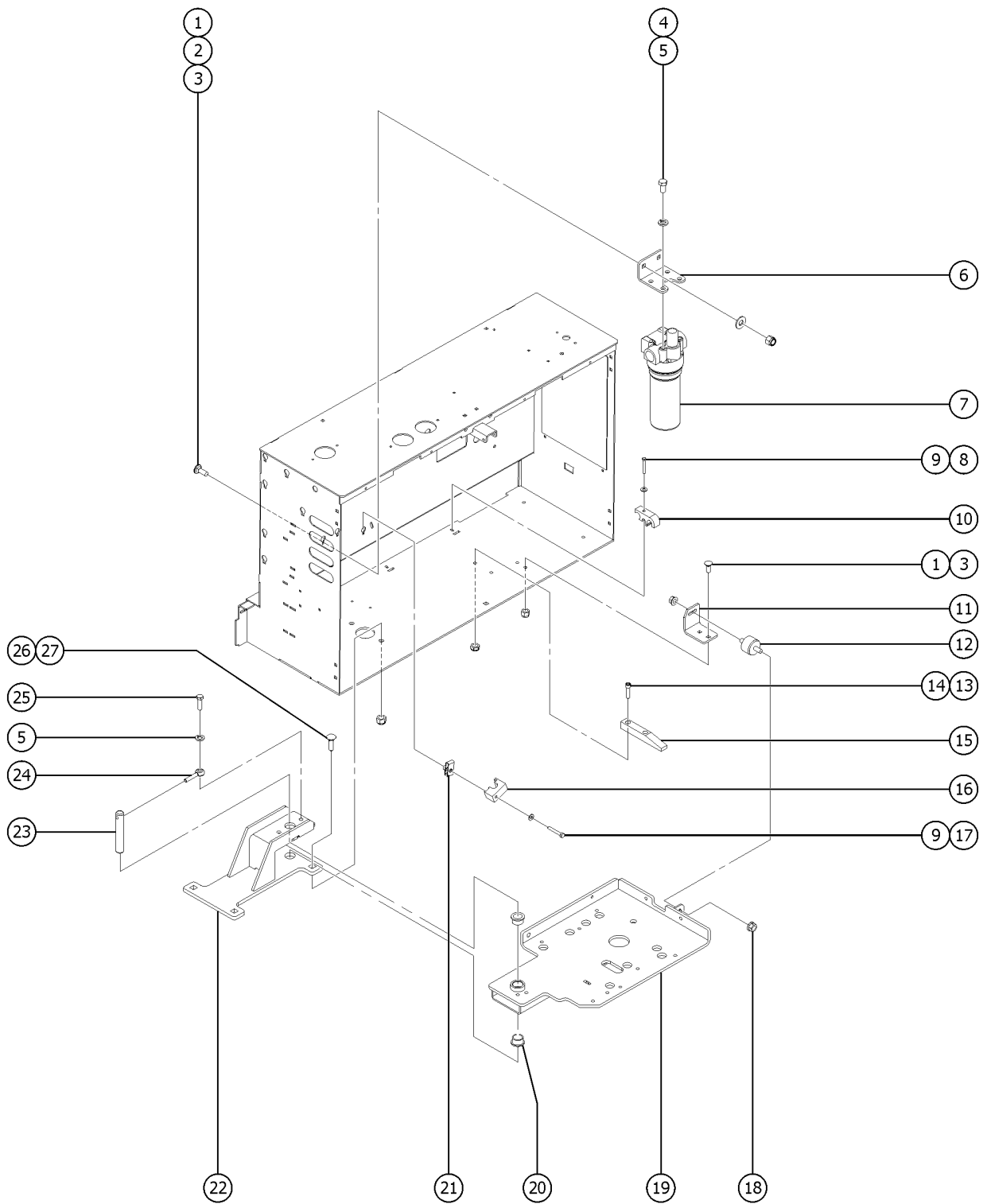
402.1 Engine Tray Components, View 2



Item	Part No.	Description	Qty.
1	64154GT	BOLT, CARRIAGE, 3/8-16 X 1.00, G5	2
2	5397GT	WASHER,FLAT,5/16,USS,ZAG	2
3	4828GT	NUT, NYLOCK, 3/8-16	4
4	8255GT	SCREW,HHC,3/8-16 X .75	4
5	6021GT	WASHER, LOCK, .375	5
6	1254246GT	FORMING,HIGH PRESS FILTER BRKT	1
7	60334GT	FILTER ASSY,HIGH PRESS SAE-12	1
7-	60857GT	FILTER,ELEMENT,BETA(5)=1000	
7-	1279465GT	BACKUP RING,71.60X67.20X1.40PTFE(60334)	
7-	1279466GT	O-RING,67.95X2.62-NBR-70SH(HF2P)(60334)	
8	4266GT	SCREW,HHC,1/4-20 X 2	2
9	6638GT	WASHER, FLAT, USS, 1/4"Y	
10	229771GT	CABLE CLAMP,3 WAY,HDPE	2
11	1254419GT	FORMING ENGINE TRAY STOP	1
12	75260GT	ISOLATOR,FLEX-BOLT SANDWICH***	1
13	29447GT	SCREW,SHC,3/8-16 X 1.5	2
14	7713GT	NUT, LP NYLOCK, 3/8-16	2
15	148008GT	SLIDE BLOCK,ENGINE TRAY	1
16	T112283GT	CLAMP,1X#8 HOSE	2
17	4266GT	SCREW,HHC,1/4-20 X 2	2
18	121422GT	NUT,HEX,FLG,3/8-16	2
19	1264810GT	WELDMENT,ENGINE SWING TRAY,GS69	1
20	131813GT	BEARING,BRZ,FL,1.0IDX1.25OD	2
21	56912GT	SPRING CLIP,1/4-20,.025-.15X.54,ZAG	2
22	1254420GT	WELDMENT,ENGINE PIVOT MOUNT	1
23	67387GT	PIN,1.00DIA X 5.27LG,1HOLE	1
24	1255452GT	ROD END,.375 X 2.25,ZAG	1
25	6019GT	SCREW,HHC,3/8-16 X 1.25 GRD 5	1



402.1 Engine Tray Components, View 2

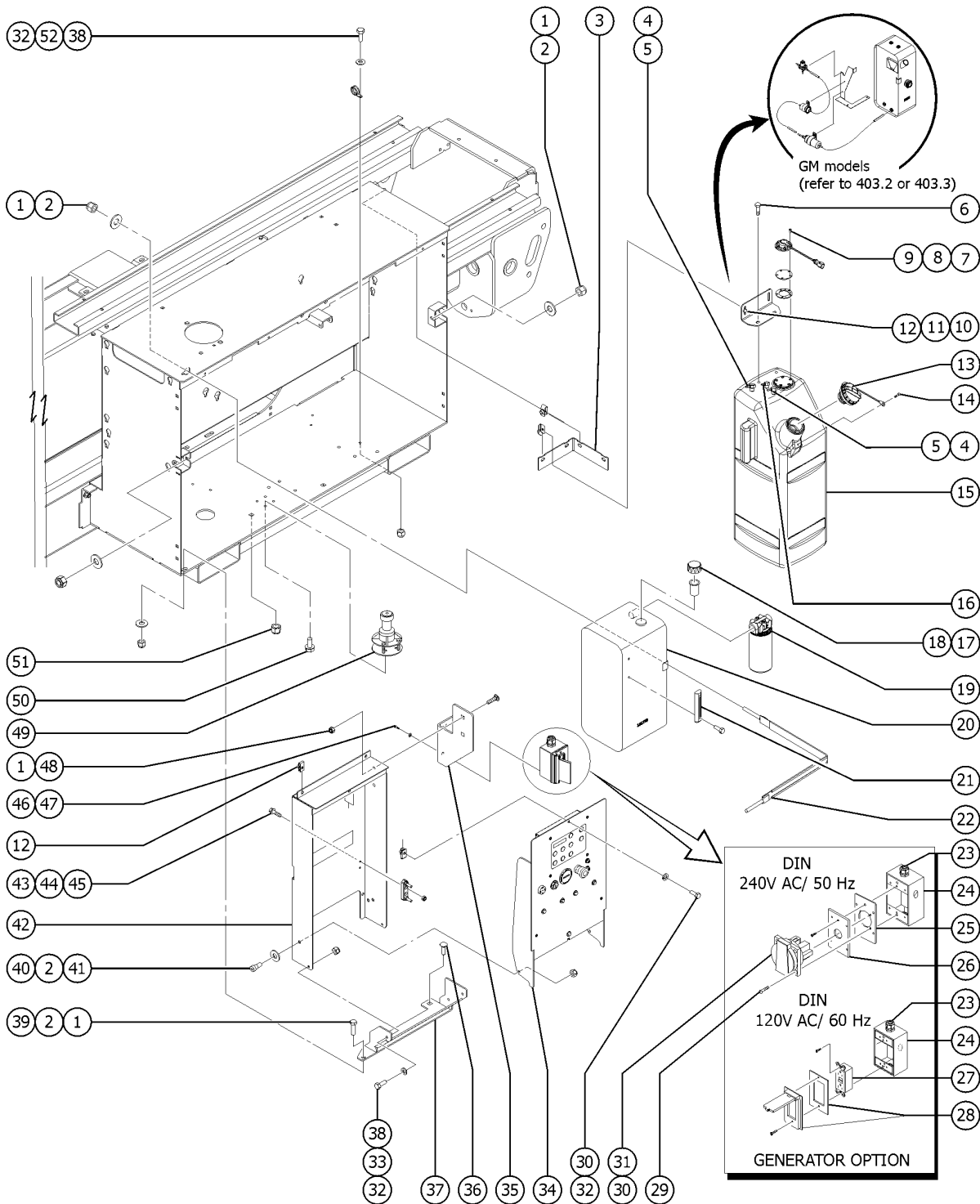


402.1 Engine Tray Components, View 2

<i>Item</i>	<i>Part No.</i>	<i>Description</i>	<i>Qty.</i>
26	96203GT	BOLT,CARRIAGE,1/2-13X1.75, G5	4
27	6198GT	NUT, NYLOCK, 1/2-13	4



403.1 Hydraulic Tank, Fuel Tank, and Ground Controls Installation

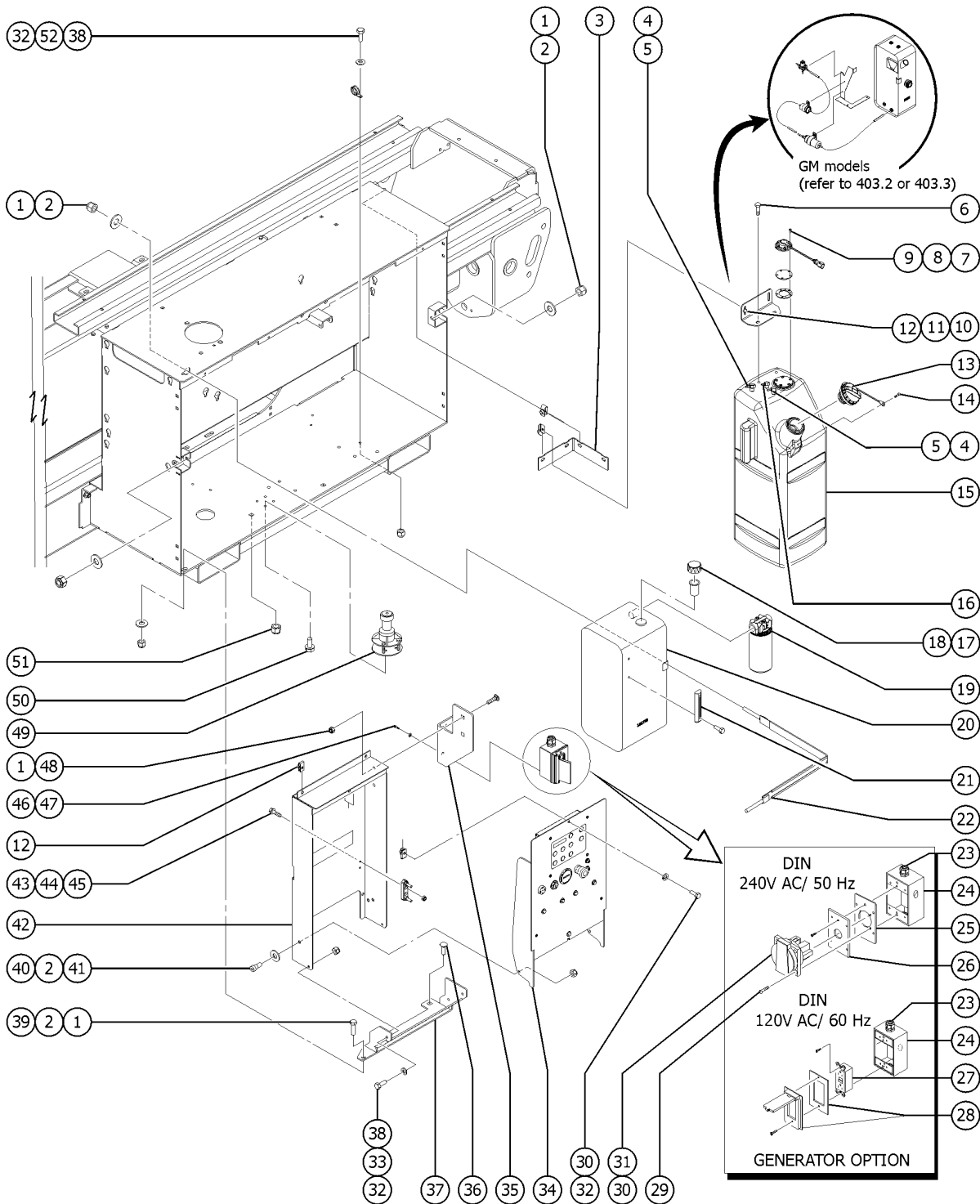


403.1 Hydraulic Tank, Fuel Tank, and Ground Controls Installation

Item	Part No.	Description	Qty.
A	1289561GT	BRACKET, TELEMATICS	
B	1289520GT	MODULE, TELEMATICS, ZTR, M7, NORTH AMERICA to SN GS69F-21464	
C	1313592GT	MODULE, ASSY,TELEMATICS, ZTR, M7, GLOBAL from SN GS69F-21465	
D	1289521GT	MODULE, TELEMATICS, ZTR, M7, EMEA/APAC	
1	4828GT	NUT, NYLOCK, 3/8-16	5
2	6097GT	WASHER, FLAT, USS, 3/8", Y	7
3	1279270GT	FORMING,TANK SUPPORT,BULKHD	1
4	1276927GT	FUEL PICKUP, 3/8 X 1/4 NPT X 25.5	1
5	53023GT	FITTING,1/4 MPT 5/16 BARB	1
6	824089GT	SCREW, HHF, 3/8-16 X .75, 8, ZAG	
7	1251757GT	SCREW,PHPM,10-32X.50,ZAG	
8	1271772GT	CAP, TANK, FUEL SENSOR	
9	1271770GT	SENSOR, FUEL LEVEL, 30" DIESEL	
9-	1271773GT	GASKET, TANK, FUEL SENSOR	
10	1279269GT	FORMING,TANK SUPPORT,TANK	
11	824078GT	SCREW,HHF,1/4-20X.75,8,ZAG	
12	56912GT	SPRING CLIP,1/4-20,.025-.15X.54,ZAG	
13	T112457GT	CAP,FUEL,DIESEL,SAE-J NECK	
14	824077GT	SCREW, HHF, 1/4-20 X .5, 8, ZAG	
15	1305738GT	ASSEMBLY, FUEL TANK, EPA (Perkins, Kubota models only) (Refer to 403.2 or 403.3 for GM models)	1
16	1276928GT	VALVE, BRASS, ROLLOVER, 1/4 BARB X 3/8 NPT	
17	131658GT	CAP,HYDRAULIC TANK,GS68/84/90	1
18	31506GT	STRAINER,FILLER NECK	1
19	87070GT	FILTER ASSY,SAE 12 NO INDICAT*	1
19-	1259055GT	FILTER ELEMENT, 10 MICRON (Genie aftermarket part)	
19-	131323GT	FILTER ELEMENT,10 MICRON (Genie genuine part)	
20	131778GT	TANK,HYDRAULIC,18 GALLON***	1
21	215229GT	GAUGE,HYDRAULIC TANK T/L VL	1



403.1 Hydraulic Tank, Fuel Tank, and Ground Controls Installation

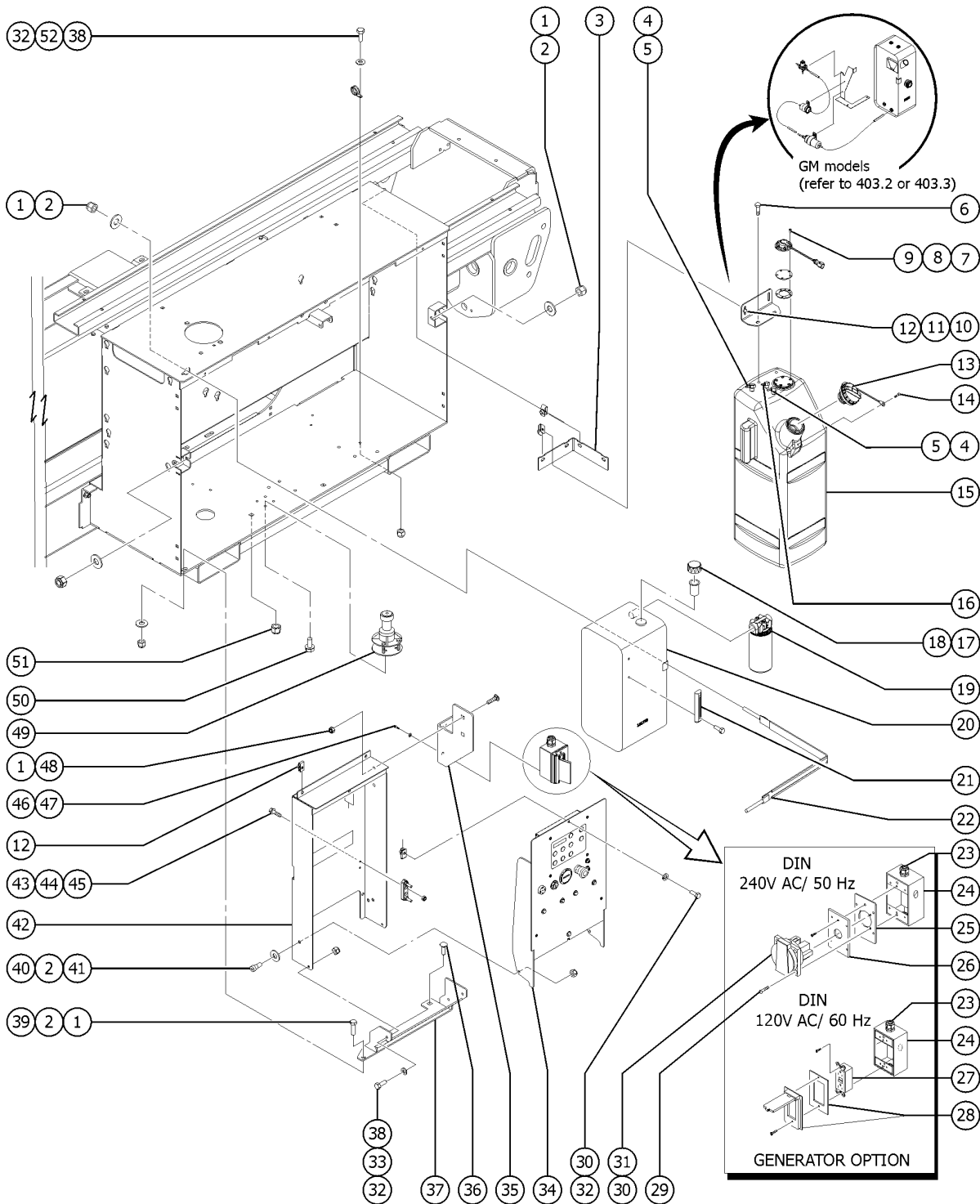


403.1 Hydraulic Tank, Fuel Tank, and Ground Controls Installation

Item	Part No.	Description	Qty.
22	T106782GT	TANK STRAP,BOLT STYLE,HYD,GS69	1
22-	31658GT	EXTRUSION,RUBBER BUMPER STRIP	20 in ch es
23	7056GT	CONN, SQZ, 1/2NPT, 0.38-0.50,SM (generator option)	2
24	10775GT	T-BOX, 2.75 X 4.5 X 2.0** (no longer available, replaced with 1310378GT)	2
24-	1310378GT	SPRING CLIP,10-24,.025-.125X.468,ZAG	2
25	66355GT	GASKET, UK & DIN PWR. TO PLAT (generator option)	1
26	96236GT	PLATE,AC ADAPTER,DIN/UK*** (generator option)	1
27	13585GT	OUTLET, 110V (generator option)	1
28	74006GT	COVER,GFCI,HORIZONTAL,WEATHER (generator option) (includes gasket and mounting fasteners)	1
29	229740GT	SCREW,PPH,8-32X.50,ZINC,TRS (generator option)	
30	66353GT	NUT,1/4-20,8,ZAG	1
31	63375GT	SCREW,FHPM,6-32 X .75,ZAG (generator option)	
32	6090GT	SCREW, HHC, 1/4-20 X .75	5
33	6356GT	WASHER, LOCK, .25	5
34		Ref., GROUND CONTROLS (refer to 405.1)	1
35	1254166GT	FORMING,GENERATOR,GFCI,GS69 (no longer available, replaced with 1311045GT)	1
35-	1311045GT	FORMING,GENERATOR,GFCI,GS69	1
36	96203GT	BOLT,CARRIAGE,1/2-13X1.75, G5	1
37	1256582GT	WELDMENT,GRND CONT,LWR MT	1
38	6091GT	NUT, NYLOCK, 1/4-20	2
39	6019GT	SCREW,HHC,3/8-16 X 1.25 GRD 5	1
40	T115706GT	BOLT,SHLDR,3/8X5/16X5/16-18S/S	2
41	6782GT	NUT, NYLOCK, 5/16-18	2
42	1254440GT	WELDMENT,MOUNT,LCP,GS69	1
43	6873GT	SCREW,FHM,10-32 X 1	
44	66717GT	FUSE BLOCK, ANN & ANL FUSE	
45	6178GT	NUT, NYLOCK, 10-32, SS	



403.1 Hydraulic Tank, Fuel Tank, and Ground Controls Installation

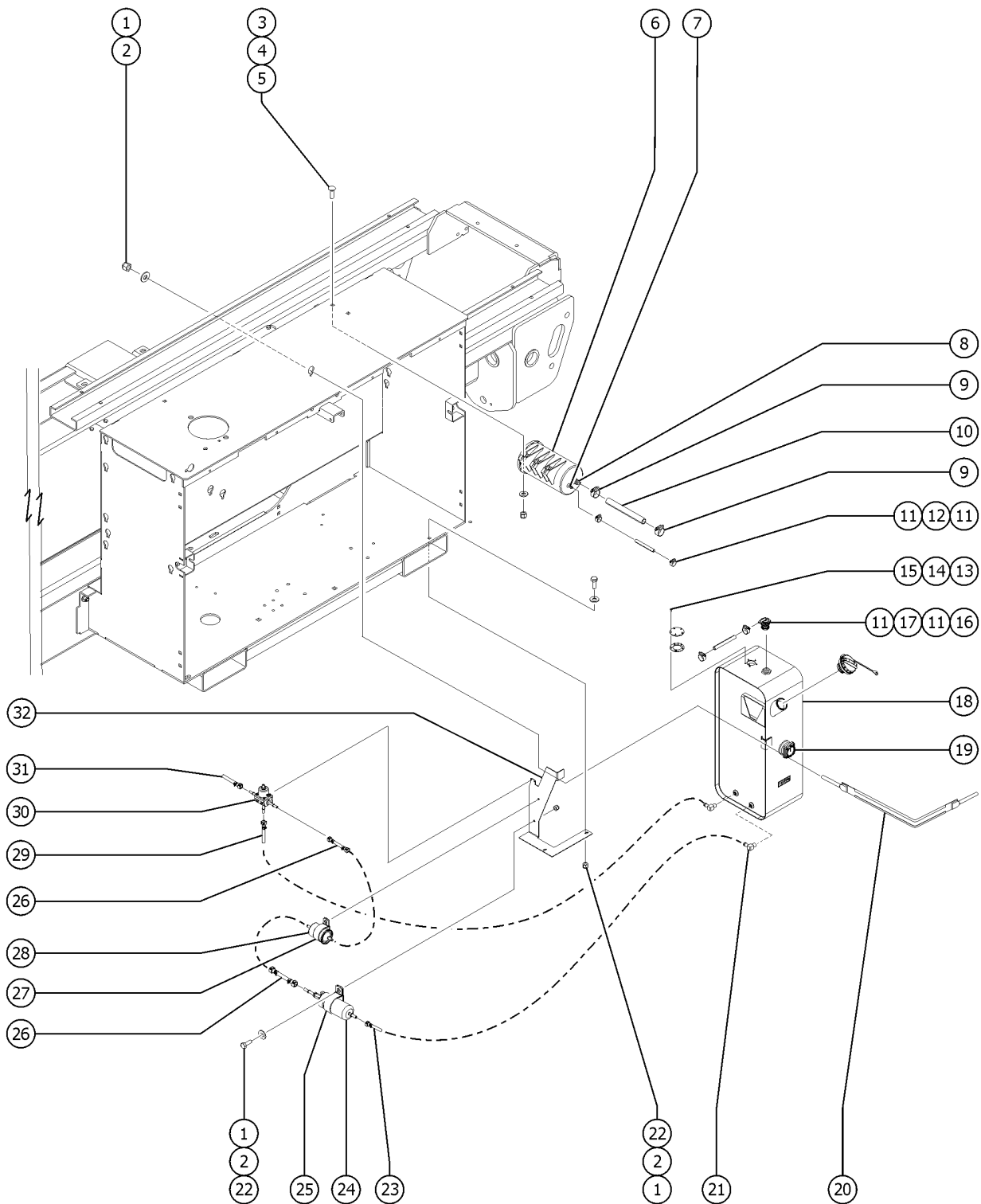


403.1 Hydraulic Tank, Fuel Tank, and Ground Controls Installation

<i>Item</i>	<i>Part No.</i>	<i>Description</i>	<i>Qty.</i>
46	56912GT	SPRING CLIP,1/4-20,.025-.15X.54,ZAG	3
47	57075GT	SCREW, PHIL, 8-32 X .50, SELF TAP	
		(generator option)	
48	64154GT	BOLT, CARRIAGE, 3/8-16 X 1.00, G5	
		(generator option)	
49A	78674GT	LEVEL SENSOR,LS60,BLUE,2X3**	1
		(models without outriggers)	
49B	71484GT	SENSOR,LEVEL, ANALOG	1
		(models with outriggers)	
50	230850GT	SCREW, WASH HEAD, 20-9X5/8	4
51	6198GT	NUT, NYLOCK, 1/2-13	1
52	6638GT	WASHER, FLAT, USS, 1/4"Y	



403.2 Gasoline Tank, Hoses and Fittings, GM 0.998L Engine (to SN GS69F-11863)

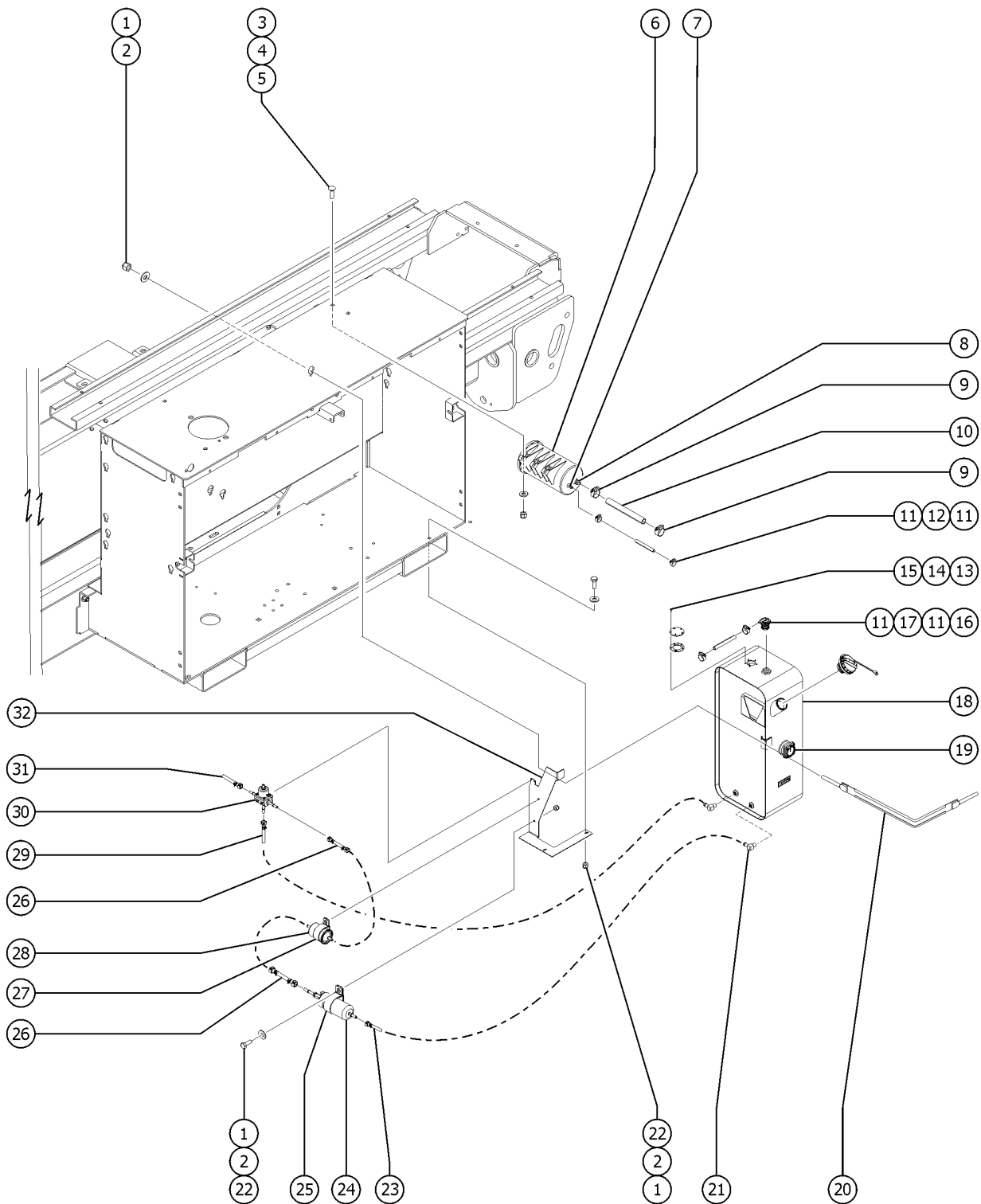


403.2 Gasoline Tank, Hoses and Fittings, GM 0.998L Engine (to SN GS69F-11863)

Item	Part No.	Description	Qty.
1	4828GT	NUT, NYLOCK, 3/8-16	3
2	6097GT	WASHER, FLAT, USS, 3/8", Y	3
3	215378GT	BOLT, CARRIAGE, 1/4-20 X1.25, GR5	
4	6638GT	WASHER, FLAT, USS, 1/4"Y	
5	6091GT	NUT, NYLOCK, 1/4-20	
6	1262944GT	CANISTER, CARBON, 1000CC To SN GS69F-18051	
6B	1306693GT	CANISTER, CARBON, 1000CC From SN GS69F-18052	
7	1263199GT	CONN, 3/16" BARBED, 3/8" MNPT	1
8	1263198GT	CONN, 1/2" BARBED, 3/8" FNPT To SN GS69F-18051	1
8B	1306884GT	CONN, 5/16" BARBED, 3/8" FNPT From SN GS69F-18052	1
9	46131GT	CLAMP, HOSE, .63" - 1.0" X .5" To SN GS69F-18051	2
10	1263240GT	HOSE, FUEL, 1/2" ID, 10.00" LG To SN GS69F-18051	1
10B	1307072-1000GT	HOSE, 5/16", FUEL, SUPER FLEX FL-7, SR389 From SN GS69F-18052	1
11	44909GT	CLAMP, HOSE, .35"-.86" X .3125"	17
12	233943GT	HOSE, FUEL 3/16", 100"LG	1
13	1251757GT	SCREW, PHPM, 10-32X.50, ZAG	6
14	1271772GT	CAP, TANK, FUEL SENSOR	1
15	1271773GT	GASKET, TANK, FUEL SENSOR	1
16	1262945GT	VALVE, ROLLOVER, 1/4" BARBED	1
17	1263241GT	HOSE, FUEL, 1/4" ID, 16.00" LG	1
18	148444GT	ASSY, FUEL TANK, 10 GAL, GS69	1
19	148389GT	GAUGE, FUEL, GS69	
19-	146550GT	GASKET, FUEL LEVEL GAUGE, GAS	
19-	38979GT	SCREW, PHM, 1/4-20X.5 PHIL	
20	T106787GT	TANK STRAP, FUEL, BOLT STYLE, 69	
20-	31658GT	EXTRUSION, RUBBER BUMPER STRIP	20 in ch es
21	34211GT	ELBOW, 90DEG. 1/4 MPT-5/16 BARB	2



403.2 Gasoline Tank, Hoses and Fittings, GM 0.998L Engine (to SN GS69F-11863)

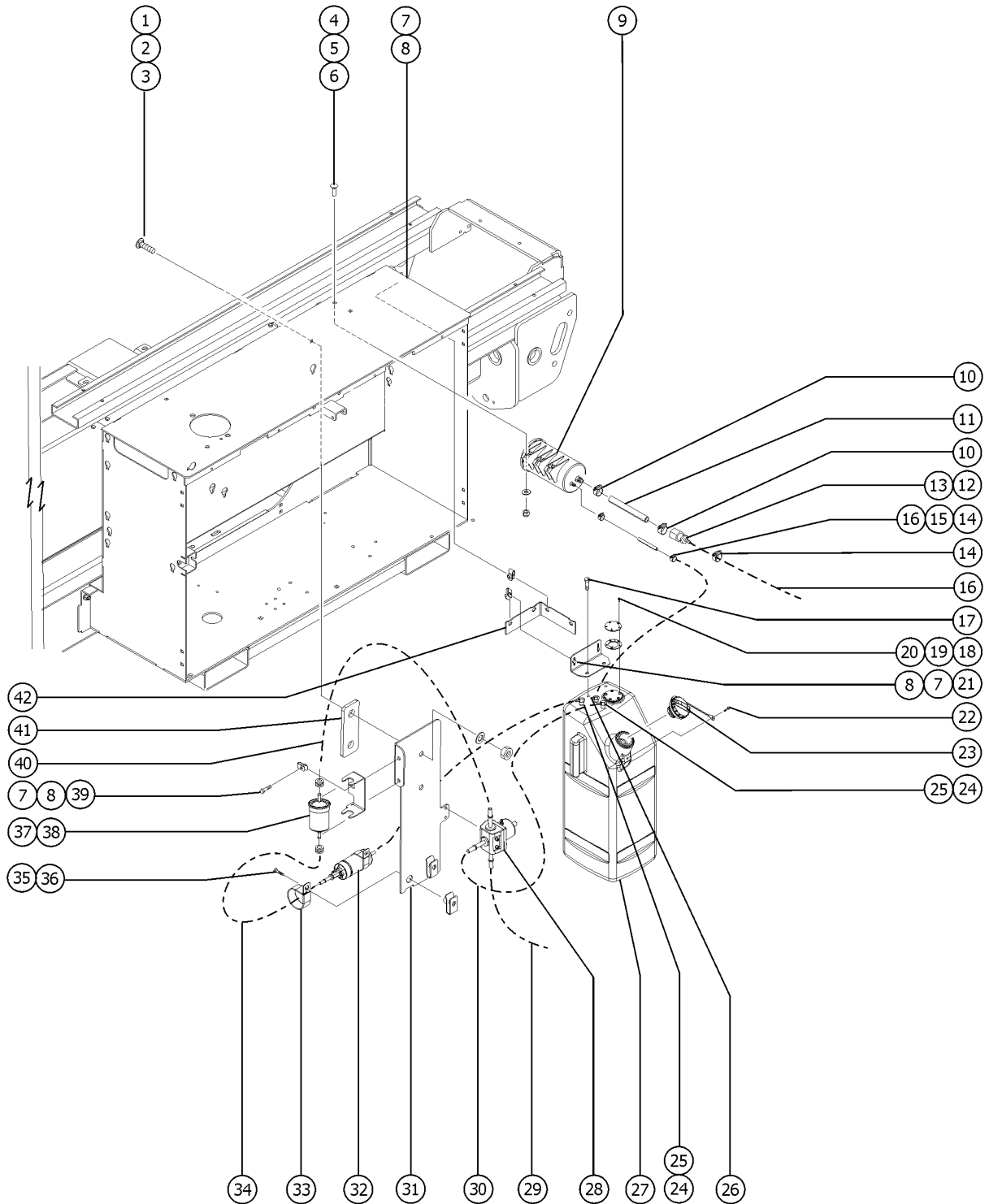


403.2 Gasoline Tank, Hoses and Fittings, GM 0.998L Engine (to SN GS69F-11863)

Item	Part No.	Description	Qty.
22	77692GT	SCREW,HHC,3/8-16 X 1 GRD 8	3
23	1272994GT	ASSY,FUEL HOSE,5/16"ID,14"L,FI	1
23-	1272587GT	HOSE,5/16",FUEL,EPA,FI	14 in ch es
23-	111819GT	FITTING,SAE J2044F X5/16 BARB	1
23-	44909GT	CLAMP,HOSE,.35"-.86" X .3125"	1
24	77750GT	FUEL PUMP (GM ENG)	1
25	148444GT	ASSY,FUEL TANK,10 GAL,GS69	1
26	1272995GT	ASSY,FUEL HOSE,5/16"ID,10"L,FI	2
26-	1272587GT	HOSE,5/16",FUEL,EPA,FI	10 in ch es
26-	111819GT	FITTING,SAE J2044F X5/16 BARB	2
26-	44909GT	CLAMP,HOSE,.35"-.86" X .3125"	2
27	1272022GT	CLAMP,FUEL COMPONENTS,GM .998L	2
28	1272019GT	FILTER, FUEL	1
29	1270996GT	SEAL KIT, GEAR PUMP, 16CC/REV, CASAPPA	1
29-	1272587GT	HOSE,5/16",FUEL,EPA,FI	8 in ch es
29-	111819GT	FITTING,SAE J2044F X5/16 BARB	1
29-	44909GT	CLAMP,HOSE,.35"-.86" X .3125"	1
30	1272020GT	REGULATOR, FUEL, GM .998L	1
31	1272997GT	ASSY,FUEL HOSE,5/16"ID,120",FI	1
31-	1272587GT	HOSE,5/16",FUEL,EPA,FI	12 in ch es
31-	111819GT	FITTING,SAE J2044F X5/16 BARB	2
31-	44909GT	CLAMP,HOSE,.35"-.86" X .3125"	2
32	1272023GT	FORMING,FUEL COMPONENT,GM .998	1



403.3 Gasoline Tank, Hoses and Fittings, GM 0.998L Engine (from SN GS69F-11864 to SN GS69F-19984)

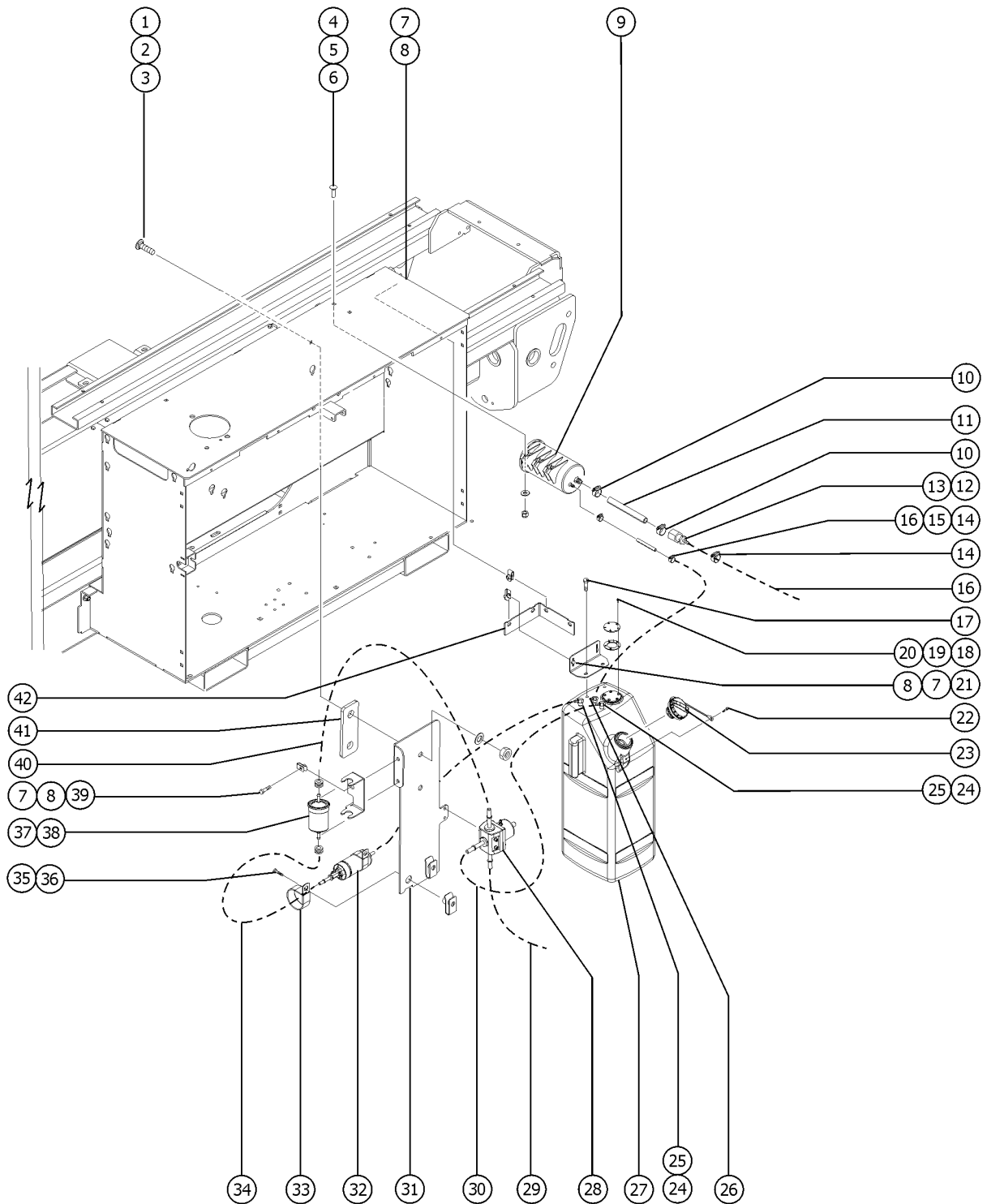


403.3 Gasoline Tank, Hoses and Fittings, GM 0.998L Engine (from SN GS69F-11864 to SN GS69F-19984)

Item	Part No.	Description	Qty.
1	105092GT	BOLT,CARRIAGE,3/8-16X1.25,GR5	2
2	6097GT	WASHER, FLAT, USS, 3/8", Y	2
3	4828GT	NUT, NYLOCK, 3/8-16	2
4	215378GT	BOLT,CARRIAGE,1/4-20 X1.25,GR5	2
5	6638GT	WASHER, FLAT, USS, 1/4"Y	4
6	6091GT	NUT, NYLOCK, 1/4-20	4
7	824078GT	SCREW,HHF,1/4-20X.75,8,ZAG	5
8	56912GT	SPRING CLIP,1/4-20,.025-.15X.54,ZAG	4
9	1262944GT	CANISTER, CARBON, 1000CC	1
		To SN GS69F-18051	
9B	1306693GT	CANISTER, CARBON,1000CC	1
		From SN GS69F-18052	
10	46131GT	CLAMP,HOSE,.63" - 1.0" X .5"	2
		To SN GS69F-18051	
11	1263240GT	HOSE, FUEL, 1/2" ID, 10.00" LG	1
		To SN GS69F-18051	
11B	1307072-1000GT	HOSE,5/16",FUEL,SUPER FLEX FL-7,SR389	1
		From SN GS69F-18052	
12	1263198GT	CONN, 1/2" BARBED, 3/8" FNPT	1
		To SN GS69F-18051	
12B	1306884GT	CONN, 5/16" BARBED, 3/8" FNPT	1
		From SN GS69F-18052	
13	1263199GT	CONN, 3/16" BARBED, 3/8" MNPT	1
14	44909GT	CLAMP,HOSE,.35"-.86" X .3125"	17
15	1263241GT	HOSE, FUEL, 1/4" ID, 16.00" LG	1
16	233943GT	HOSE, FUEL 3/16", 100"LG	1
		(to engine)	
17	824089GT	SCREW, HHF, 3/8-16 X .75, 8, ZAG	2
18	1251757GT	SCREW,PHPM,10-32X.50,ZAG	5
19	1271772GT	CAP, TANK, FUEL SENSOR	1
20	1271773GT	GASKET, TANK, FUEL SENSOR	1
21	1279269GT	FORMING,TANK SUPPORT,TANK	1
22	824077GT	SCREW, HHF, 1/4-20 X .5, 8, ZAG	2
23	119918GT	CAP,FUEL,GASOLINE 3.5PSI	1
24	1276927GT	FUEL PICKUP, 3/8 X 1/4 NPT X 25.5	2
25	53023GT	FITTING,1/4 MPT 5/16 BARB	2



403.3 Gasoline Tank, Hoses and Fittings, GM 0.998L Engine (from SN GS69F-11864 to SN GS69F-19984)

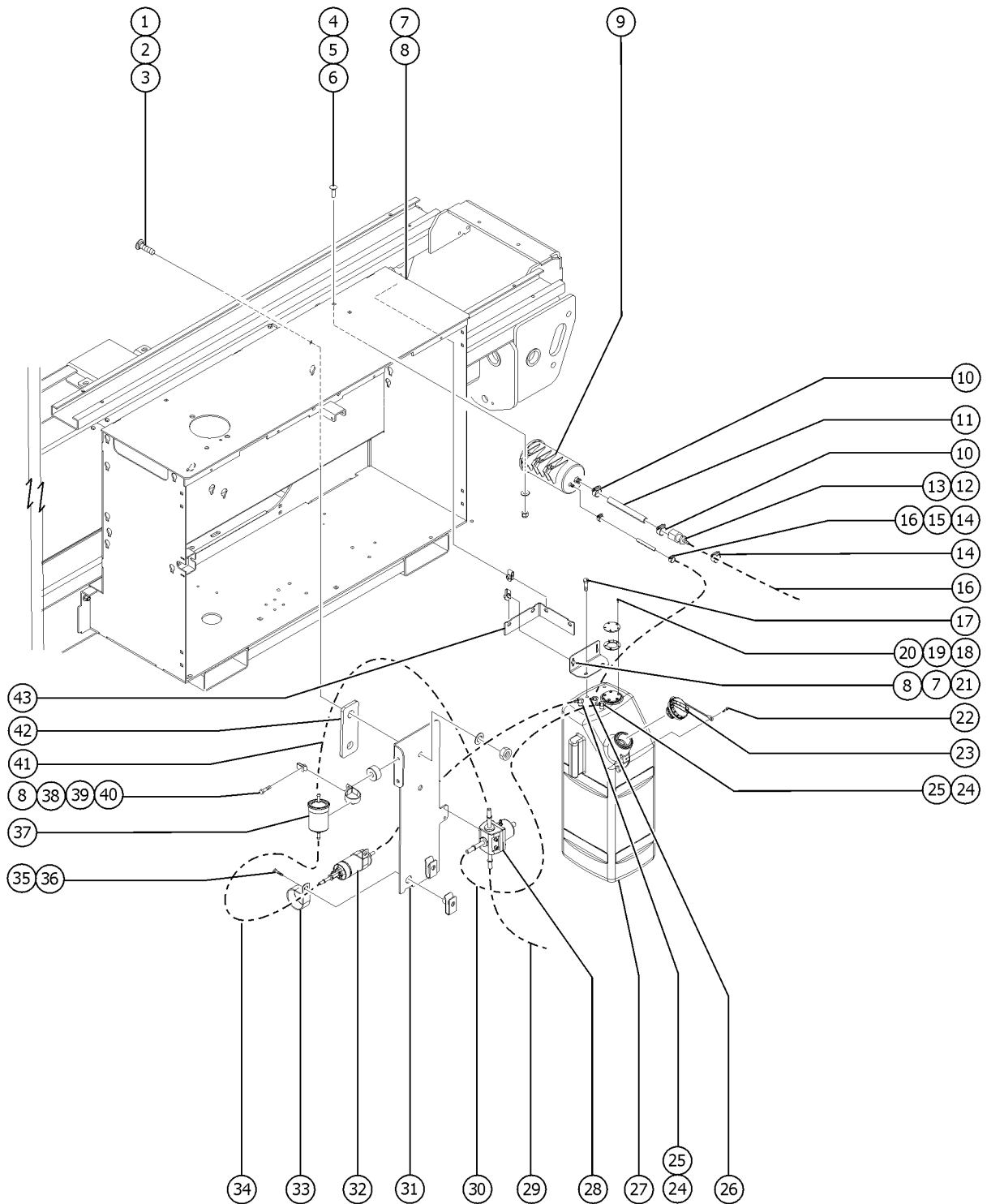


403.3 Gasoline Tank, Hoses and Fittings, GM 0.998L Engine (from SN GS69F-11864 to SN GS69F-19984)

Item	Part No.	Description	Qty.
26	1276928GT	VALVE, BRASS, ROLLOVER, 1/4 BARB X 3/8 NPT	3
27	1305738GT	ASSEMBLY, FUEL TANK, EPA	1
28	1272020GT	REGULATOR, FUEL, GM .998L	1
29	1272997GT	ASSY, FUEL HOSE, 5/16"ID, 120", FI	1
		(fuel regulator to engine)	
30	1280298GT	ASSY, FUEL HOSE, 5/16"ID, 26"L, FI	1
		(fuel regulator to tank)	
31	1275824GT	FORMING, FUEL SYSTEM MOUNT	1
32	77750GT	FUEL PUMP (GM ENG)	1
33	1272202GT	CLAMP, FUEL COMPONENTS, GM .998L	2
34	1280296GT	ASSY, FUEL HOSE, 5/16"ID, 15"L, FI	1
		(fuel filter to fuel pump)	
35	824092GT	SCREW, HHF, 3/8-16 X 1.5, 8, ZAG	2
36	29868GT	SPRING CLIP, 3/8-16, .05-.20X.73, ZAG	2
37	1272019GT	FILTER, FUEL	1
38	218790GT	GROMMET, FUEL FILTER	2
39	218523GT	FORMING, FUEL FILTER BRK.	1
40	1280297GT	ASSY, FUEL HOSE, 5/16"ID, 20"L, FI	1
		(fuel filter to fuel regulator)	
41	1278935GT	SHEET, SPACER, FUEL BRACKET	1
42	1279270GT	FORMING, TANK SUPPORT, BULKHD	1



403.4 Gasoline Tank, Hoses and Fittings, GM 0.998L Engine (from SN GS69F-19985)

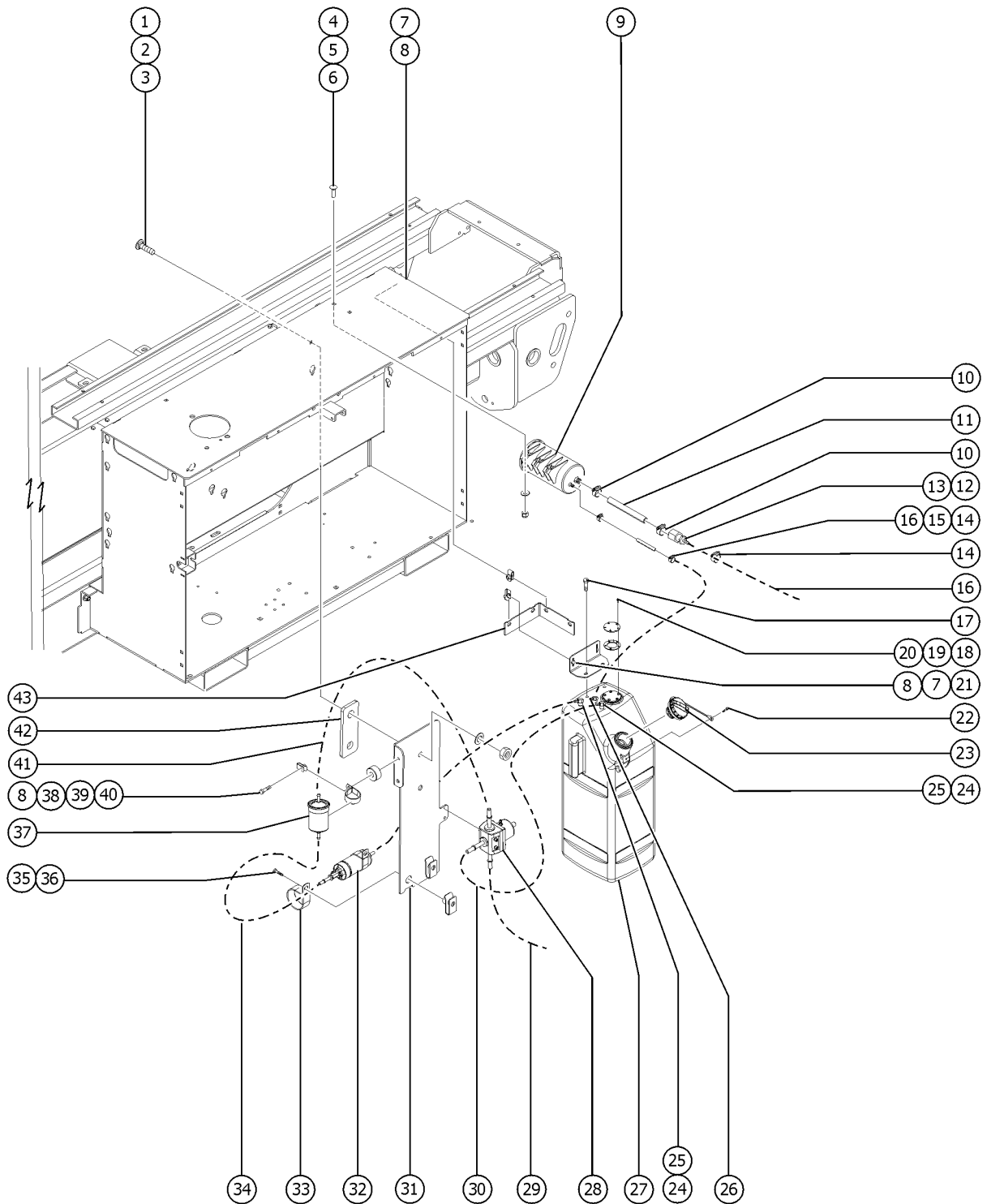


403.4 Gasoline Tank, Hoses and Fittings, GM 0.998L Engine (from SN GS69F-19985)

Item	Part No.	Description	Qty.
1	105092GT	BOLT,CARRIAGE,3/8-16X1.25,GR5	2
2	6097GT	WASHER, FLAT, USS, 3/8", Y	2
3	4828GT	NUT, NYLOCK, 3/8-16	2
4	215378GT	BOLT,CARRIAGE,1/4-20 X1.25,GR5	2
5	6638GT	WASHER, FLAT, USS, 1/4"Y	4
6	6091GT	NUT, NYLOCK, 1/4-20	4
7	824078GT	SCREW,HHF,1/4-20X.75,8,ZAG	4
8	56912GT	SPRING CLIP,1/4-20,.025-.15X.54,ZAG	4
9	1262944GT	CANISTER, CARBON, 1000CC To SN GS69F-18051	1
9B	1306693GT	CANISTER, CARBON,1000CC From SN GS69F-18052	1
10	46131GT	CLAMP,HOSE,.63" - 1.0" X .5" To SN GS69F-18051	2
11	1263240GT	HOSE, FUEL, 1/2" ID, 10.00" LG To SN GS69F-18051	1
11B	1307072-1000GT	HOSE,5/16",FUEL,SUPER FLEX FL-7,SR389 From SN GS69F-18052	1
12	1263198GT	CONN, 1/2" BARBED, 3/8" FNPT To SN GS69F-18051	1
12B	1306884GT	CONN, 5/16" BARBED, 3/8" FNPT From SN GS69F-18052	1
13	1263199GT	CONN, 3/16" BARBED, 3/8" MNPT	1
14	44909GT	CLAMP,HOSE,.35"-.86" X .3125"	17
15	1263241GT	HOSE, FUEL, 1/4" ID, 16.00" LG (carbon canister to tank)	1
16	233943GT	HOSE, FUEL 3/16", 100"LG (to engine)	1
17	824089GT	SCREW, HHF, 3/8-16 X .75, 8, ZAG	2
18	1251757GT	SCREW,PHPM,10-32X.50,ZAG	5
19	1271772GT	CAP, TANK, FUEL SENSOR	1
20	1271773GT	GASKET, TANK, FUEL SENSOR	1
21	1279269GT	FORMING,TANK SUPPORT,TANK	1
22	824077GT	SCREW, HHF, 1/4-20 X .5, 8, ZAG	2
23	119918GT	CAP,FUEL,GASOLINE 3.5PSI	1
24	1276927GT	FUEL PICKUP, 3/8 X 1/4 NPT X 25.5	2
25	53023GT	FITTING,1/4 MPT 5/16 BARB	2



403.4 Gasoline Tank, Hoses and Fittings, GM 0.998L Engine (from SN GS69F-19985)

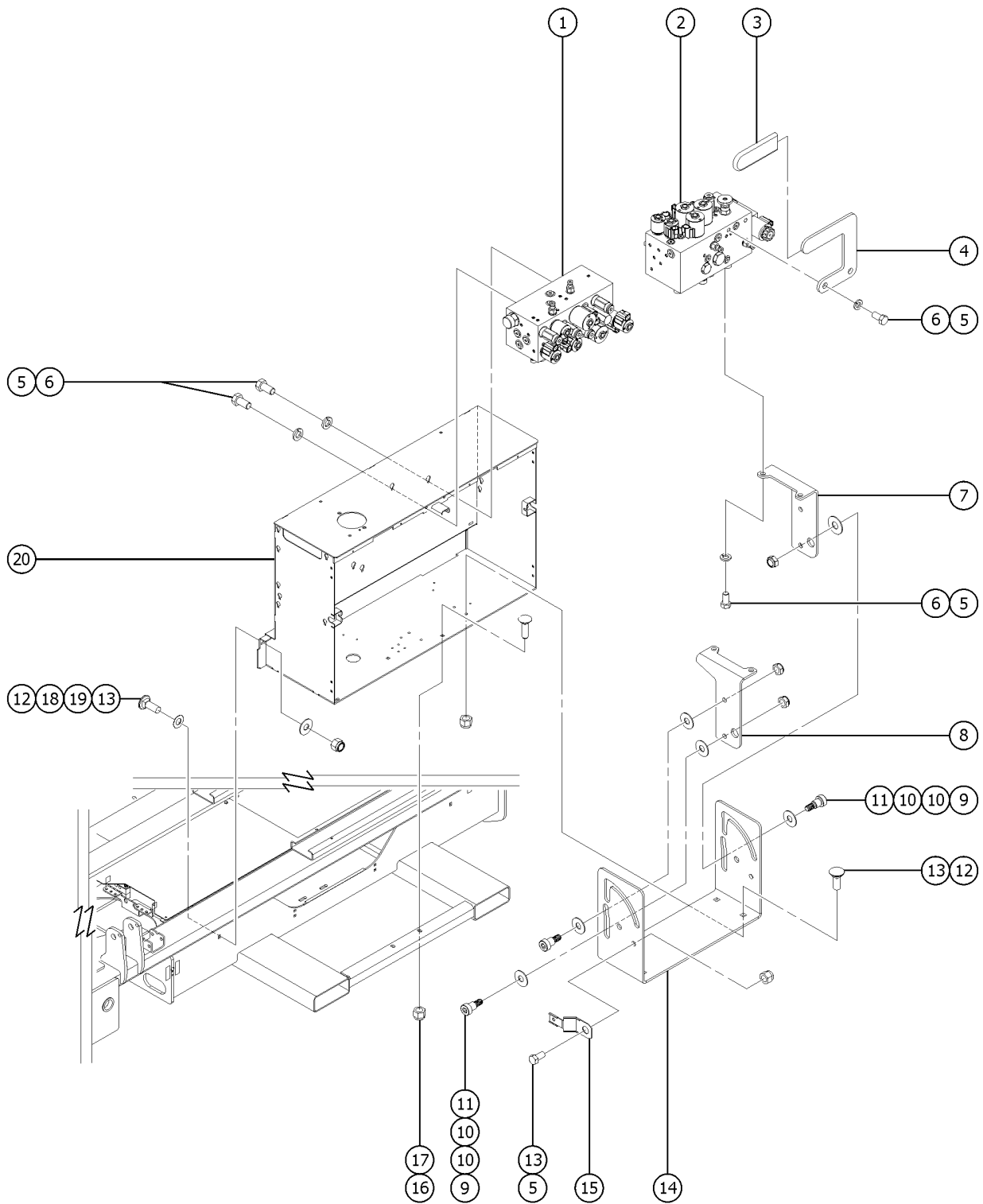


403.4 Gasoline Tank, Hoses and Fittings, GM 0.998L Engine (from SN GS69F-19985)

Item	Part No.	Description	Qty.
26	1276928GT	VALVE, BRASS, ROLLOVER, 1/4 BARB X 3/8 NPT	3
27	1305738GT	ASSEMBLY, FUEL TANK, EPA	1
28	1272020GT	REGULATOR, FUEL, GM .998L	1
29	1272997GT	ASSY, FUEL HOSE, 5/16"ID, 120", FI	1
		(fuel regulator to engine)	
30	1280298GT	ASSY, FUEL HOSE, 5/16"ID, 26"L, FI	1
		(fuel regulator to tank)	
31	1275824GT	FORMING, FUEL SYSTEM MOUNT	1
32	77750GT	FUEL PUMP (GM ENG)	1
33	1272202GT	CLAMP, FUEL COMPONENTS, GM .998L	2
34	1280296GT	ASSY, FUEL HOSE, 5/16"ID, 15"L, FI	1
		(fuel filter to fuel pump)	
35	824092GT	SCREW, HHF, 3/8-16 X 1.5, 8, ZAG	2
36	29868GT	SPRING CLIP, 3/8-16, .05-.20X.73, ZAG	2
37	1311944GT	FUEL FILTER / REGULATOR, GM .998L	1
38	824080GT	SCREW, HHF, 1/4-20 X 1.25, 8, ZAG	1
39	1311994GT	CLAMP, RUBBER COATED, FUEL FILTER	1
40	96541GT	CAM FOLLOWER, 1.125 X .375, DELRIN	1
41	1280297GT	ASSY, FUEL HOSE, 5/16"ID, 20"L, FI	1
		(fuel filter to fuel regulator)	
42	1278935GT	SHEET, SPACER, FUEL BRACKET	1
43	1279270GT	FORMING, TANK SUPPORT, BULKHD	1



404.1 Hydraulic Tray Components

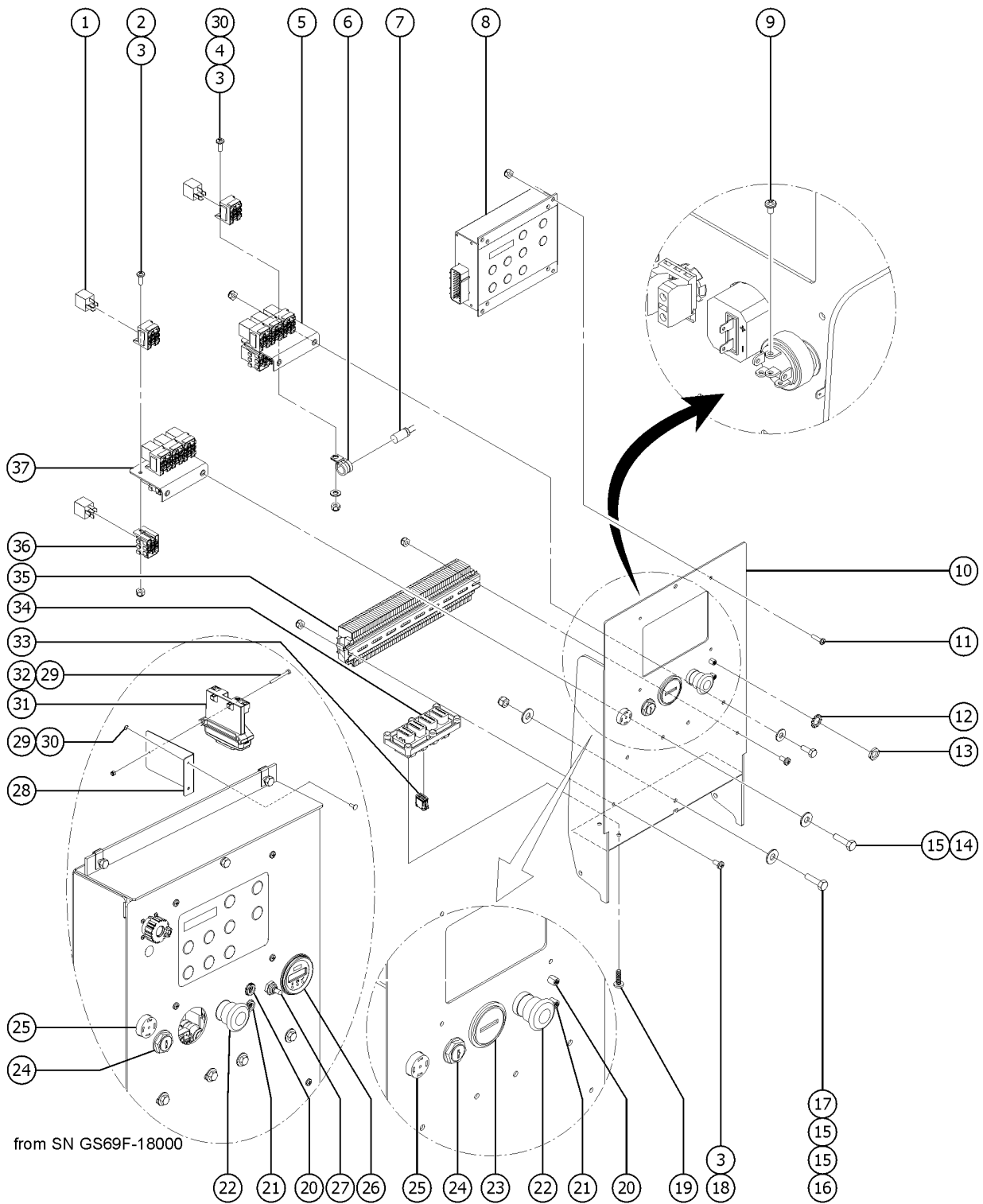


404.1 Hydraulic Tray Components

Item	Part No.	Description	Qty.
1		Ref. Function Manifold (refer to 701.1)	
2		Ref. Traction Manifold (refer to 702.1)	
3	44733GT	HANDLE COVER,PLASTIC	1
4	1254446GT	MANIFOLD HANDLE,GS69	
5	8255GT	SCREW,HHC,3/8-16 X .75	
6	58486GT	WASHER,FLAT,3/8,HARDENED,YZ	2
7	1254444GT	FORMING,TRACT MAN MOUNT,RIGHT	
8	1254445GT	FORMING,TRACT MAN MOUNT,LEFT	
9	11335GT	SCREW,SHS,3/8-16 X .5	
10	87075GT	WASHER,NYLON .50 X 1.25 X .063	
11	7713GT	NUT, LP NYLOCK, 3/8-16	
12	64154GT	BOLT, CARRIAGE, 3/8-16 X 1.00, G5	
13	4828GT	NUT, NYLOCK, 3/8-16	
14	1254443GT	FORMING,TRACTION MANIFOLD BASE	
15	99346GT	CLIP, METAL MOUNTING	
16	6198GT	NUT, NYLOCK, 1/2-13	
17	96203GT	BOLT,CARRIAGE,1/2-13X1.75, G5	
18	87684GT	PUSH RETAINER FOR 3/8"THRD SCREW	
19	6097GT	WASHER, FLAT, USS, 3/8", Y	
20	1253426GT	WELDMENT,BOX,HYD (to SN 11863)	1
20B	1278977GT	WELDMENT,BOX,IC,EPA To SN GS69F-18051	1
20C	1307074GT	WELDMENT,BOX,HYD From SN GS69F-18052	1



405.1 Ground Controls

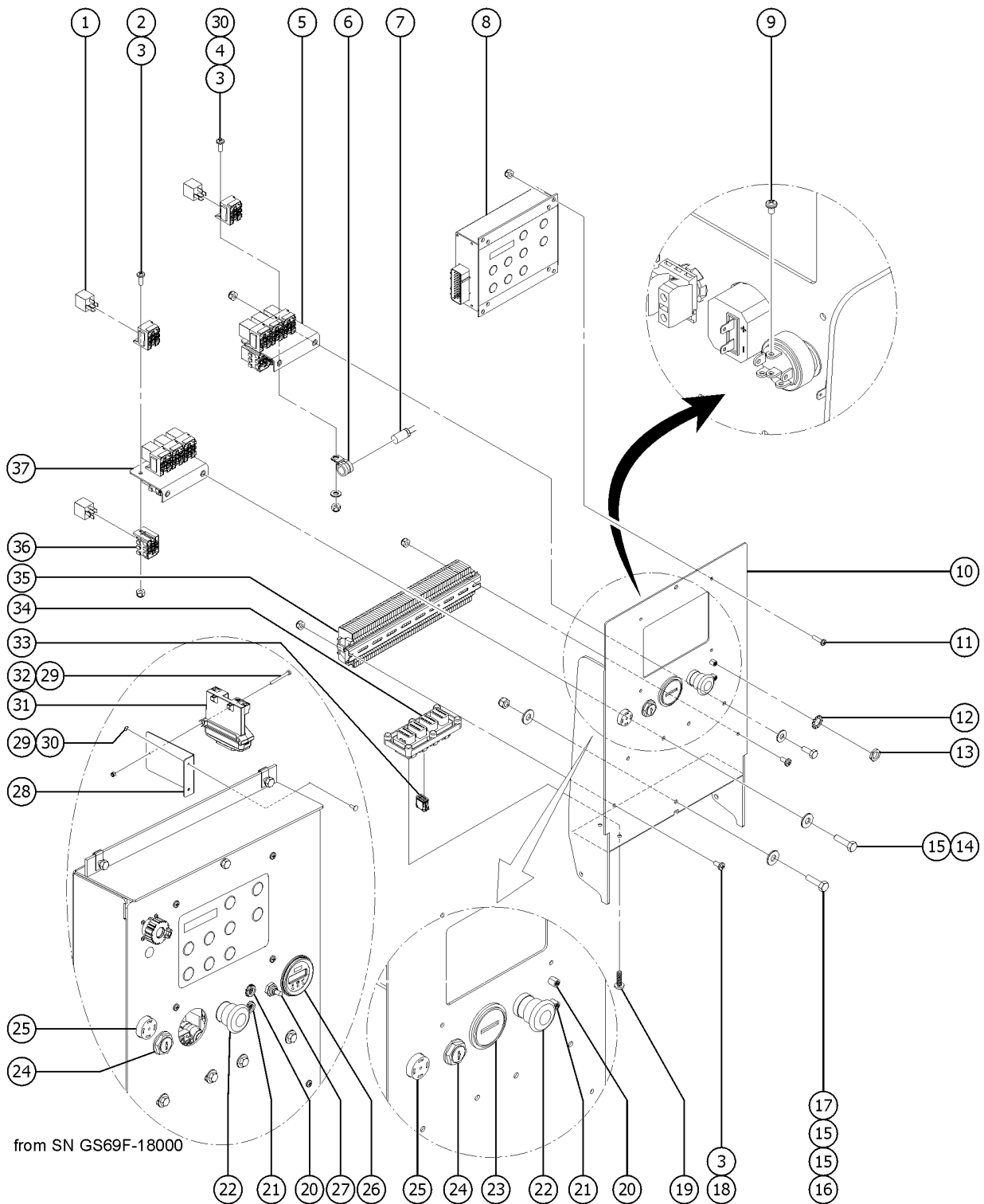


405.1 Ground Controls

Item	Part No.	Description	Qty.
-	148005GT	ASSY,LCP,GS69 (must supply serial number to order this part) (includes control panel and harness, the LCP weldment will be black)	1
-	1296499GT	DIODE, 3AMP, 200V	4
-	229291GT	RESISTOR, 620 OHM 1/4 WATT	1
		To SN GS69F-19792	
-	1301856GT	RESISTOR, 620 OHM, 1% TOL.	1
		From SN GS69F-19793	
-	67504GT	FUSE HOLDER,ATC 3-30 AMPS	1
-	229435GT	RESISTOR, 1000 OHM 1/4 WATT	2
		To SN GS69F-19792	
-	1301857GT	RESISTOR, 1000 OHM, 1% TOL.	2
		From SN GS69F-19793	
-	69864GT	FUSE,5 AMP,ATC	1
-	232845GT	KIT,BEACON RESISTOR,GS69	1
1	34052GT	RELAY,SPDT,12V(AUTO) PLUG IN**	16
2	49819GT	SCREW,PHILLIPS,PHM,10-32 X .5	7
3	6178GT	NUT, NYLOCK, 10-32, SS	10
4	6146GT	WASHER,FLAT,MS,#10,Y	1
5	54534GT	ASSY,ANGLE,RELAY MNT,W/NUTSERTS	2
6	45454GT	CLAMP,0.75,#12 X 3/8,RUB CUSH*	1
6-	49816GT	SCREW,PHILLIPS,PHM,10-32 X .75	1
7	99089GT	CAPACITOR,4700MFD 25V	1
7B	1255881GT	CAPACITOR,1000UF,25V	1
8	231084GT	ECU,GS69 IC, GEN 2	1
9	96010GT	SCREW,PHILLIPS,PHM,8-32 X.25**	5
10	1254441GT	WELDMENT,LCP,GS69 (decals not included, refer to section 100)(to SN GS69F-17999)	1
10B	1295468GT	WELDMENT, LCP, GS69, LS from SN GS69F-18000	1
11	49816GT	SCREW,PHILLIPS,PHM,10-32 X .75	4
12	6700GT	WASHER, STAR, EXTERNAL, .375	2
13	122994GT	NICKEL PLATED JAM NUT	2
14	6090GT	SCREW, HHC, 1/4-20 X .75	4
15	6638GT	WASHER, FLAT, USS, 1/4"Y	6
16	6888GT	SCREW, HHC, 1/4-20 X 1	1



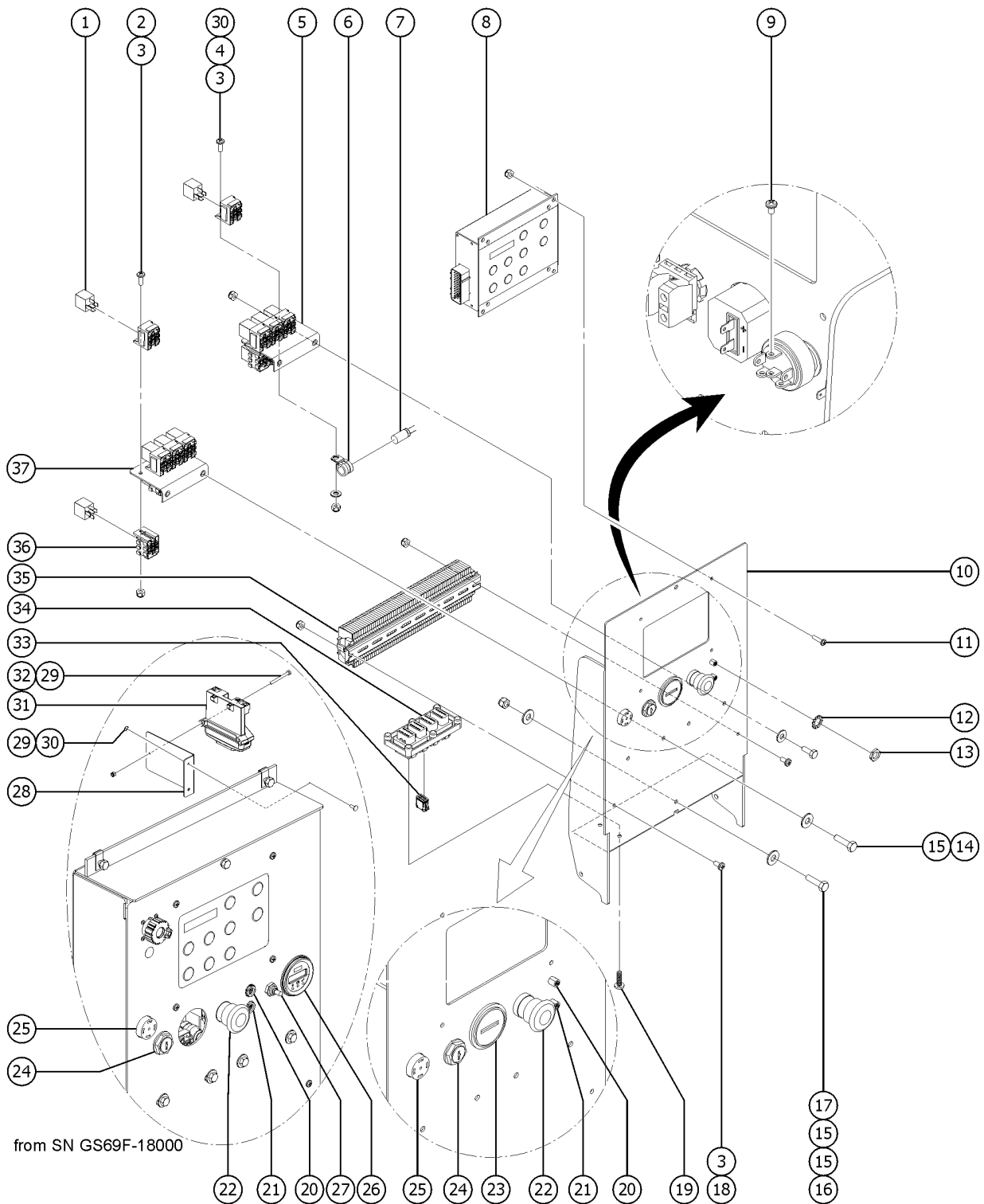
405.1 Ground Controls



Item	Part No.	Description	Qty.
17	6091GT	NUT, NYLOCK, 1/4-20	1
18	49818GT	SCREW,PHILLIPS,PHM,10-32 X .38	2
19	73803GT	SCREW,SHM,PHP, #12 X .75	8
20	147090GT	CIRCUIT BREAKER, 15A	1
21	147091GT	CIRCUIT BREAKER, 20A	1
22	66812GT	BUTTON,PUSH,RED MUSHROOM HEAD	1
22-	66817GT	E-STOP W/ NC CONTACT	
22-	66818GT	CONTACT,NC	
23	19506GT	HOUR METER, 10-80 VOLTS*** for models with Kubota and Perkins engines	1
23B	1271076GT	DISPLAY,DIAGNOSTIC,J1939 for models with GM .998L engine	1
23B-	1272569GT	PLATE, SPACER, HOUR METER	
24	96008-SGT	KEYSWITCH,3 POS. W/KEYS***	1
24-	37947GT	KEYS,10 PACK***	
24-	83093GT	KEY SINGLE***	
24-	83131GT	KEYSWITCH,3 POS W/KEYS,LOCKING	
24-	96009GT	WASHER,NITRILE to SN 12409	
24-	88827GT	GASKET,KEYSWITCH,PLASTIC*** (from SN 12410), (to SN GS69F-21391)	
24-	96009GT	WASHER,NITRILE from SN GS69F-21392	
25	39540GT	ALARM, STEADY TONE***	1
26	1275431GT	DISPLAY, 8 CHAR, 12V, CAN from SN GS69F-18000	1
27	128200GT	SWITCH TOGGLE ASSY SPDT 3P MOM from SN GS69F-18000	1
28	1300771GT	FORMING, PLUS1 BRACKET, GS69 RT from SN GS69F-18000	1
29	6091GT	NUT, NYLOCK, 1/4-20 from SN GS69F-18000	4
30	6878GT	BOLT,CARRIAGE, 1/4-20 X .75,G2 from SN GS69F-18000	2
31	1299365GT	CONTROLLER ASSY, RT LOAD SENSE SCON from SN GS69F-18000	1
32	36294GT	SCREW,HHC,1/4-20 X 2.75 from SN GS69F-18000	2
33	1314967GT	CONN,PLUG 12,GREEN,BLOCKED GROMMET from SN GS69F-20588; (Only used for machines without outriggers)	1
34	73736GT	CONN,RECEP 48 WAY,4 X 12	2



405.1 Ground Controls

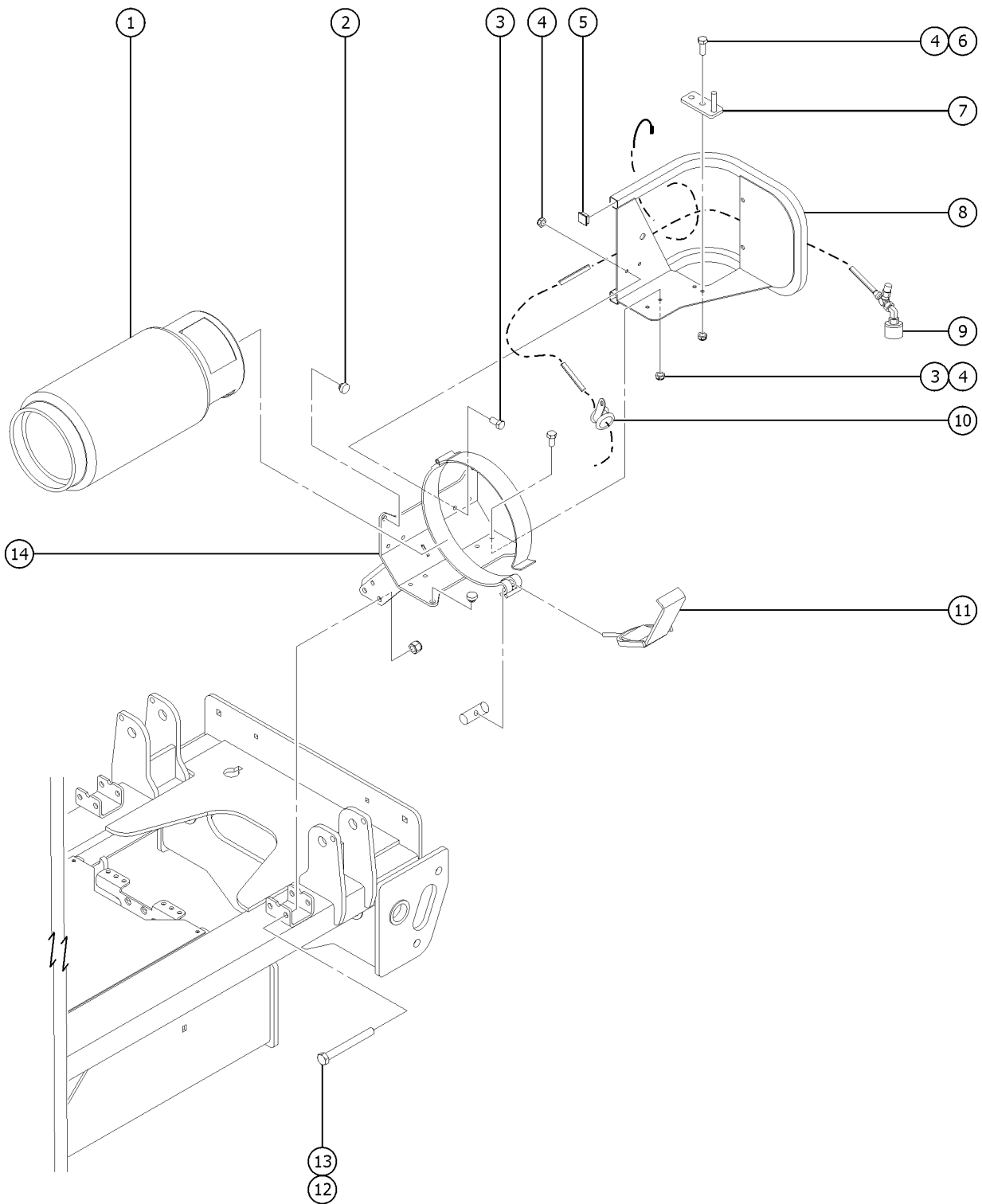


405.1 Ground Controls

<i>Item</i>	<i>Part No.</i>	<i>Description</i>	<i>Qty.</i>
35	T108147GT	TERMINAL RAIL,GS69	1
36	34053GT	ASSY,RELAY SOCKET,AUTO***	13
37	T106699GT	BRACKET,RELAY MOUNT W/INSERTS	1
		bracket only; relay sold separately	



406.1 LPG Tank Installation

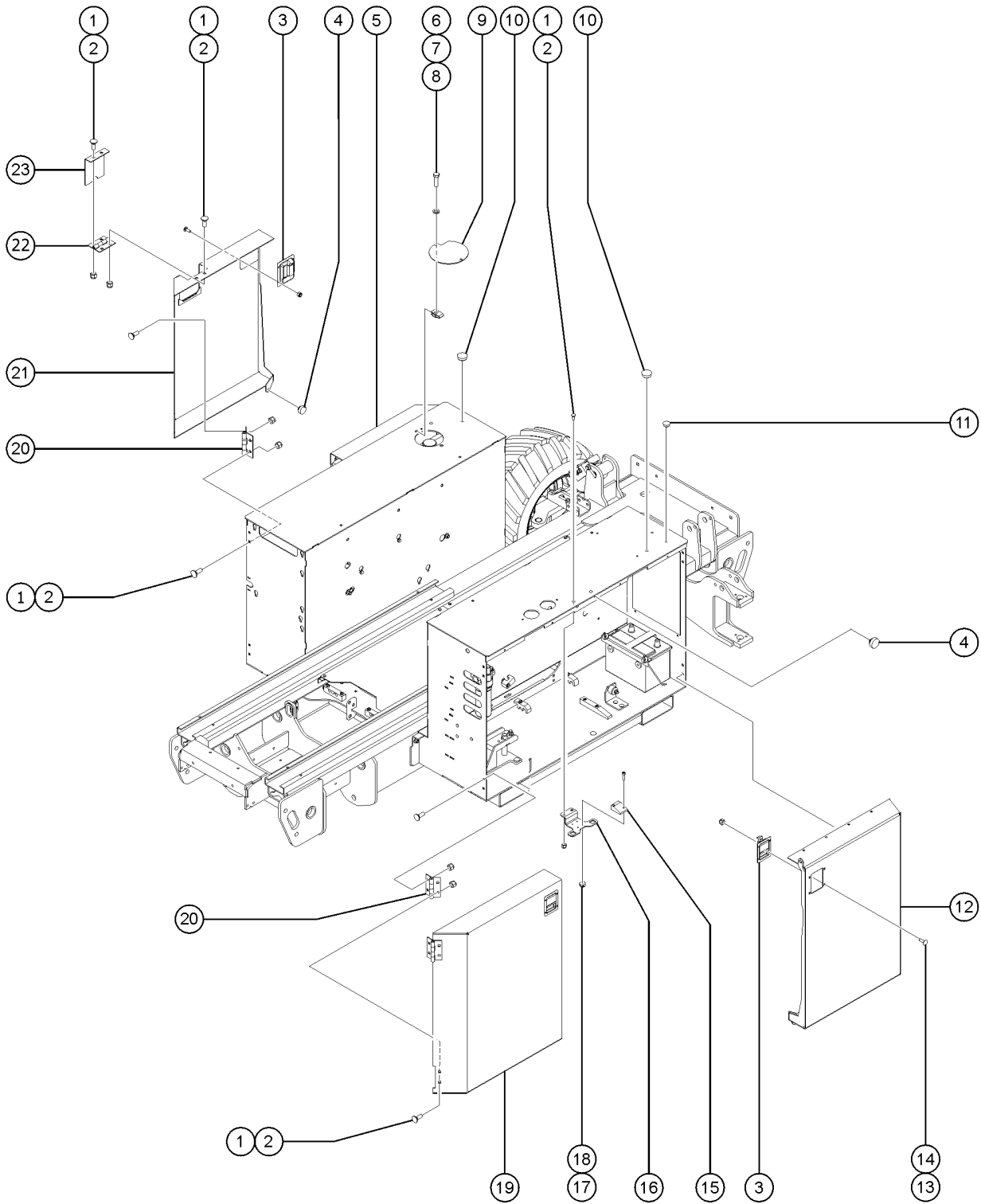


406.1 LPG Tank Installation

<i>Item</i>	<i>Part No.</i>	<i>Description</i>	<i>Qty.</i>
1	53605GT	TANK, 7 GAL/33.5 POUND, LP	1
2	47230GT	BUMPER,RUBBER	4
3	8255GT	SCREW,HHC,3/8-16 X .75	
4	7713GT	NUT, LP NYLOCK, 3/8-16	
5	78038GT	CAP TUBE SQUARE 1.25X0.083	2
6	6175GT	SCREW,HHC,3/8-16 X 1	
7	1254138GT	WELDMENT,LP ALIGNMENT PIN	1
8	1254126GT	WELDMENT,LP GUARD,RIGHT	1
9	1273249GT	HOSE ASSEMBLY,PROPANE,132" (GM .998L)	
10	45454GT	CLAMP,0.75,#12 X 3/8,RUB CUSH*	1
11	49000GT	L.P.TANK LATCH	1
12	13854GT	SCREW,HHC,1/2-13 X 4.5,GRD.8	2
13	6198GT	NUT, NYLOCK, 1/2-13	
14	1254140GT	WELDMENT,LP CARRIER MOUNT	1



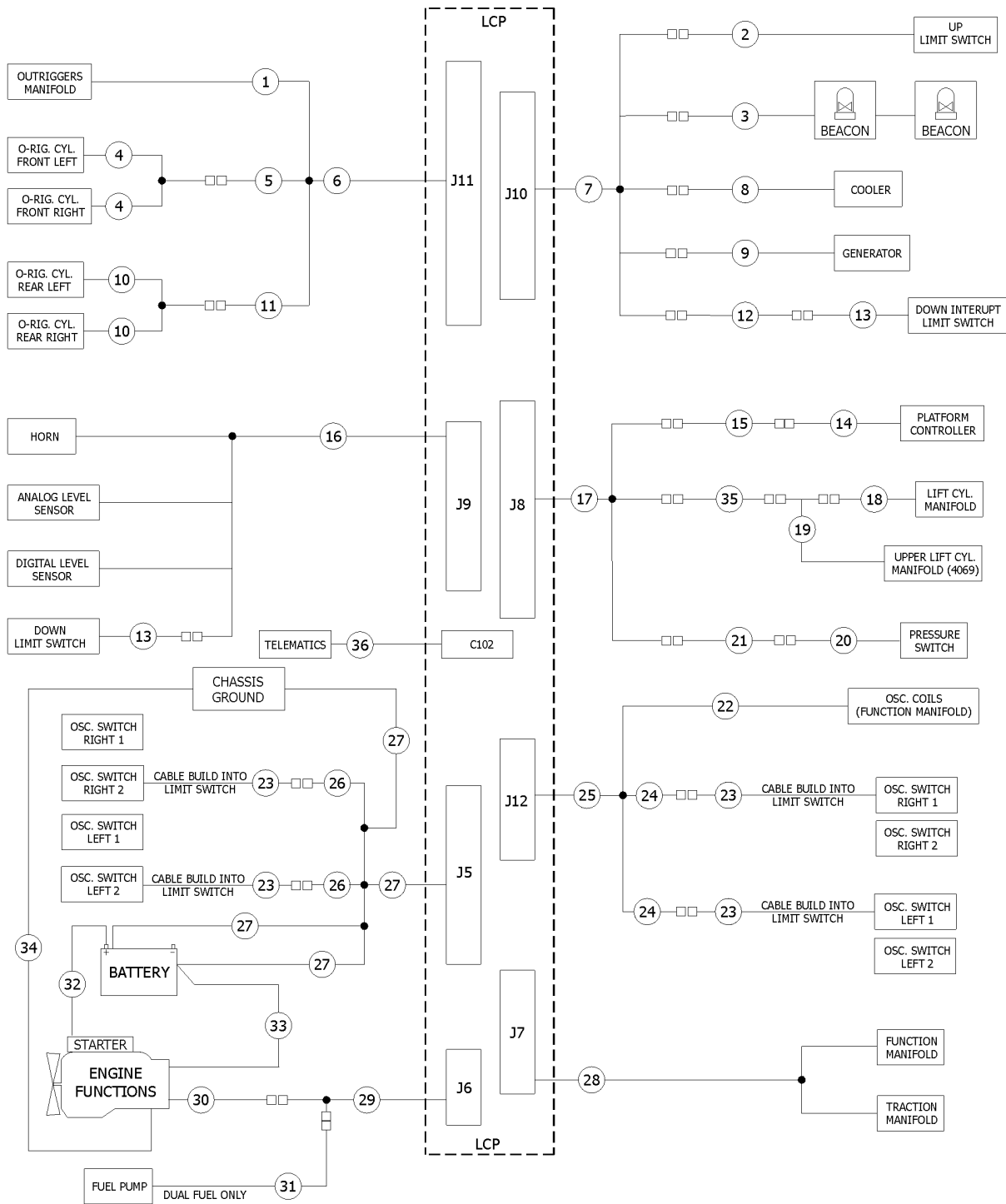
407.1 Chassis Cover Installation



Item	Part No.	Description	Qty.
1	64154GT	BOLT, CARRIAGE, 3/8-16 X 1.00, G5 to SN GS69F-20783	
2	4828GT	NUT, NYLOCK, 3/8-16 to SN GS69F-20783	
3	55675GT	LATCH, LRG PADDLE HANDLE GS90	
4	43392GT	BUMPER, BATTERY BOX & RAILS	8
5	1253424GT	WELDMENT, BOX DOOR, LT, WINDOW (decals not included, refer to section 100)	1
6	6019GT	SCREW, HHC, 3/8-16 X 1.25 GRD 5	
7	6021GT	WASHER, LOCK, .375	
8	29868GT	SPRING CLIP, 3/8-16, .05-.20 X .73, ZAG	
9	1254428GT	PLATE, HYD TANK FILLER COVER	1
10	45384GT	PLUG, NYLON .50 BLACK DOMED	2
11	81329GT	PLUG, ALARM BEACON HOLE	4
12	1253422GT	WELDMENT, BOX DOOR, RT (decals not included, refer to section 100)	1
13	6878GT	BOLT, CARRIAGE, 1/4-20 X .75, G2	
14	6091GT	NUT, NYLOCK, 1/4-20	
15	1253479GT	SLIDE BLOCK, DOOR WEDGE, HDPE 1 of 2 shown	2
16	1253349GT	FORMING, LATCH CATCH 1 of 2 shown	2
17	14392GT	NUT, LP NYLOCK, 10-32	
18	219112GT	SCREW, SHC, 10-32 X .75	
19	1253423GT	WELDMENT, BOX DOOR, LT (decals not included, refer to section 100)	1
20	55517GT	HINGE, GSRT90 BOX	8
21	1253425GT	WELDMENT, BOX DOOR, RT, FUEL (decals not included, refer to section 100)	1
21-	148459GT	PLATE, FUEL DOOR STOP to SN GS69F-20783	
21-	1253355GT	FORMING, DOOR, RT, FUEL	
21-	1253353GT	FORMING, DOOR GUSSET, RT	
22	55517GT	HINGE, GSRT90 BOX to SN GS69F-20783	1
23	1254427GT	FORMING, GAS DOOR to SN GS69F-20783	1



408.1 Electrical Wiring and Power Cables (to GS69F-17999)

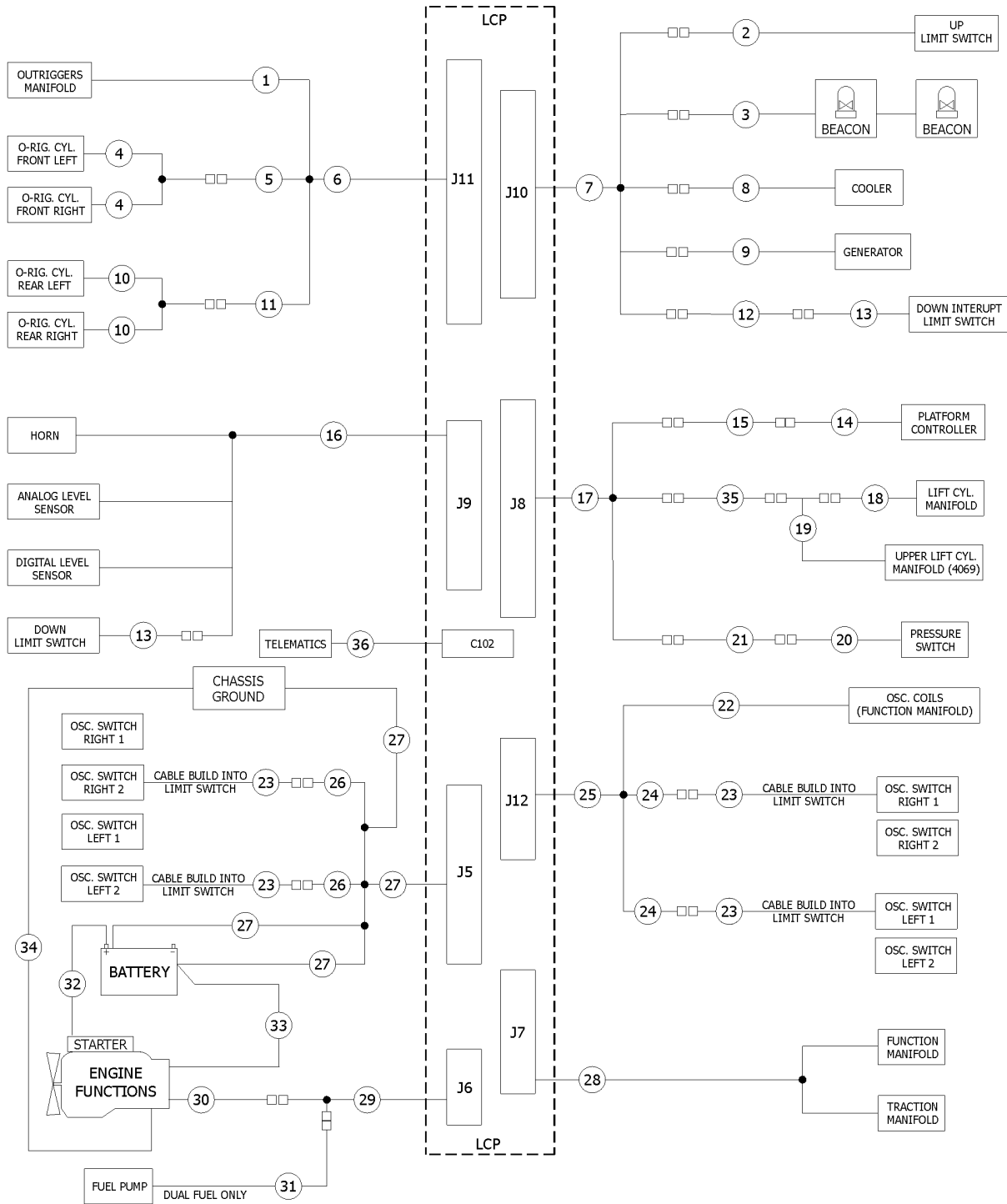


408.1 Electrical Wiring and Power Cables (to GS69F-17999)

Item	Part No.	Description	Qty.
A	1264822GT	KIT, TRC RETROFIT, STNDRD Telematics (includes 1264834)	
A-	1264834GT	INSTRN, TRC RETROFIT, STNDRD	
B	1292674GT	TELEMATIC LEADS, GS69RT	1
1	148068GT	HARNESS,O/R MNFLD,GS69	1
2	160566GT	HARNESS, UP LIMIT SWITCH	1
3	1267806GT	HARNESS, LED BEACON, GS69	
4	148090GT	HARNESS,OUTRIGGERS,FRNT,GS69	1
5	148069GT	CABLE,OUTRIGGER,FRNT,GS69	1
6	161213GT	HARNESS, OR HARNESS, J11 (includes items 1, 5, and 11)	1
7	T109743GT	HARNESS,OPTIONS,J10,GS69	1
8	148080GT	HARNESS,OIL COOLER,GS69	1
9	148081GT	HARNESS,GENERATOR,GS69	1
10	148091GT	HARNESS,OUTRIGGERS,REAR,GS69	1
11	148070GT	CABLE,OUTRIGGER,REAR,GS69	1
12	T109750GT	CABLE,DWN INT LIMIT SWITCH	1
13	1267113GT	LIMIT SWITCH, DOWN, ASSY, GS69	2
14	148082GT	CABLE,CONTROL,GS2669 GS-2669 (420 inches, base to platform)	1
14	148083GT	CABLE,CONTROL,BASE,GS3369 GS-3369 (542 inches, base to platform)	1
14	148084GT	CABLE,CONTROL,BASE,GS4069 GS-4069 (669 inches, base to platform)	1
15	148079GT	CABLE,CONTROL JUMPER,GS69	1
16	1267270GT	HARNESS, J9, GS69IC	2
17	1266174GT	HARNESS, LINKS, GS69IC	
18	1259447GT	CABLE,PROP. DOWN COIL 26/3369	
19	1259448GT	CABLE,PROP. DOWN COIL 4069	
20	104571GT	HARNESS,PRESS.SWITCH	1
21	T109749GT	CABLE,PRESSURE SWITCH	1
22	148088GT	HARNESS,OSC.MNFLD,GS69	1
23	148414GT	HARNESS,OSC SWITCH REAR	1



408.1 Electrical Wiring and Power Cables (to GS69F-17999)

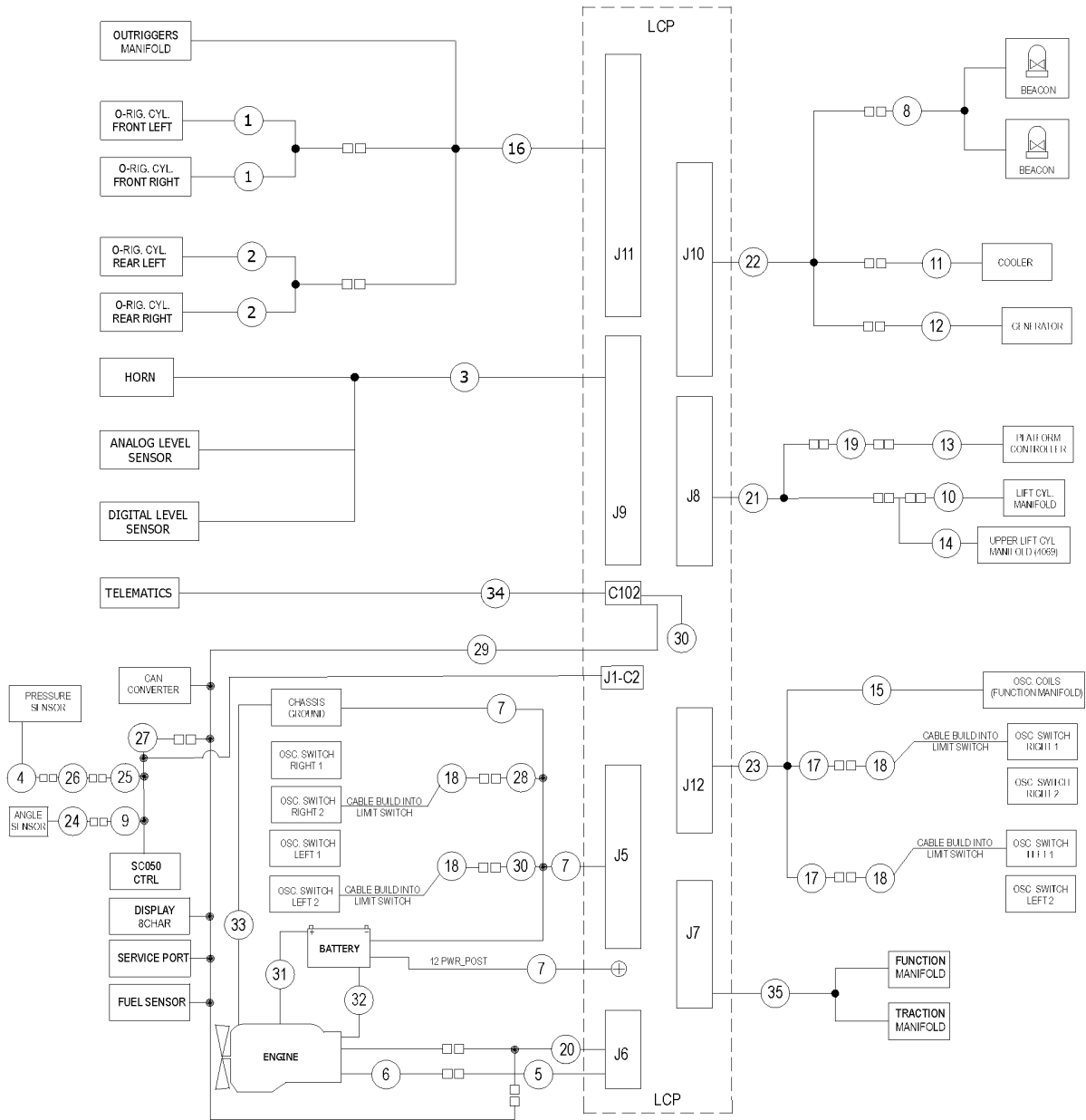


408.1 Electrical Wiring and Power Cables (to GS69F-17999)

Item	Part No.	Description	Qty.
24	148210GT	HARNESS, OSC LIMIT SWITCH 1	1
25	T109747GT	HARNESS,OSCILLATE,J12,GS69	1
26	148077GT	HARNESS,OSC LIMIT SWITCH 2	2
27	161214GT	HARNESS, BATTERY, J5	1
28	148089GT	CABLE,FUNCTION MANIFOLD,GS69	1
29	148093GT	HARNESS,ENGINE,IC To SN GS69F-18210	1
29B	1306599GT	HARNESS,ENGINE,J6 From SN GS69F-18211	1
29C	1269676GT	HARNESS, ENGINE, GS69 DUAL FUEL (dual-fuel engines) (to SN GS69F-16542)	
29D	1292675GT	HARNESS, ENGINE, GS69 DUAL FUEL (dual-fuel engines) (from SN GS69F-16543)	
30	148072GT	HARNESS,ENGINE,DIESEL (Kubota D1105 Engine)	1
30B	148074GT	HARNESS, ENGINE, PERKINS (Perkins 403D-11 Engine)	1
30C	1271832GT	HARNESS, BI-FUEL .998L (GM .998L Engine)	
31	148078GT	HARNESS,FUEL PUMP,DUAL FUEL	1
32	160905GT	CABLE ASSY, B+ TO STRT, GS69IC (Kubota and Perkins Engines)	1
32B	1273254GT	CABLE ASSY,STARTER,PSI ENGINE (GM .998L Engine)	1
33	160906GT	CABLE ASSY, ENG TO B-, GS69IC	1
34	160907GT	CABLE ASSY, ENG. TO GRD, GS69IC	1
35	1256129GT	HARNESS,MORAY,RT HERTZ MODELS (to SN GS69F-16542)	
35-	1259447GT	CABLE,PROP. DOWN COIL 26/3369 GS-2669 and GS-3369	
35-	1259448GT	CABLE,PROP. DOWN COIL 4069 GS-4069	
35B	1294153GT	HARNESS, HERC TELEMATICS, GS69,90,84 (from SN GS69F-16543)	
35B-	1291595GT	HARNESS, JUMPER, TELEMATICS	
36	1256130GT	TELEMATICS LEADS, GS69RT	1
36-	67504GT	FUSE HOLDER,ATC 3-30 AMPS	
36-	69864GT	FUSE,5 AMP,ATC	



408.2 Electrical Wiring and Power Cables (from GS69F-18000)

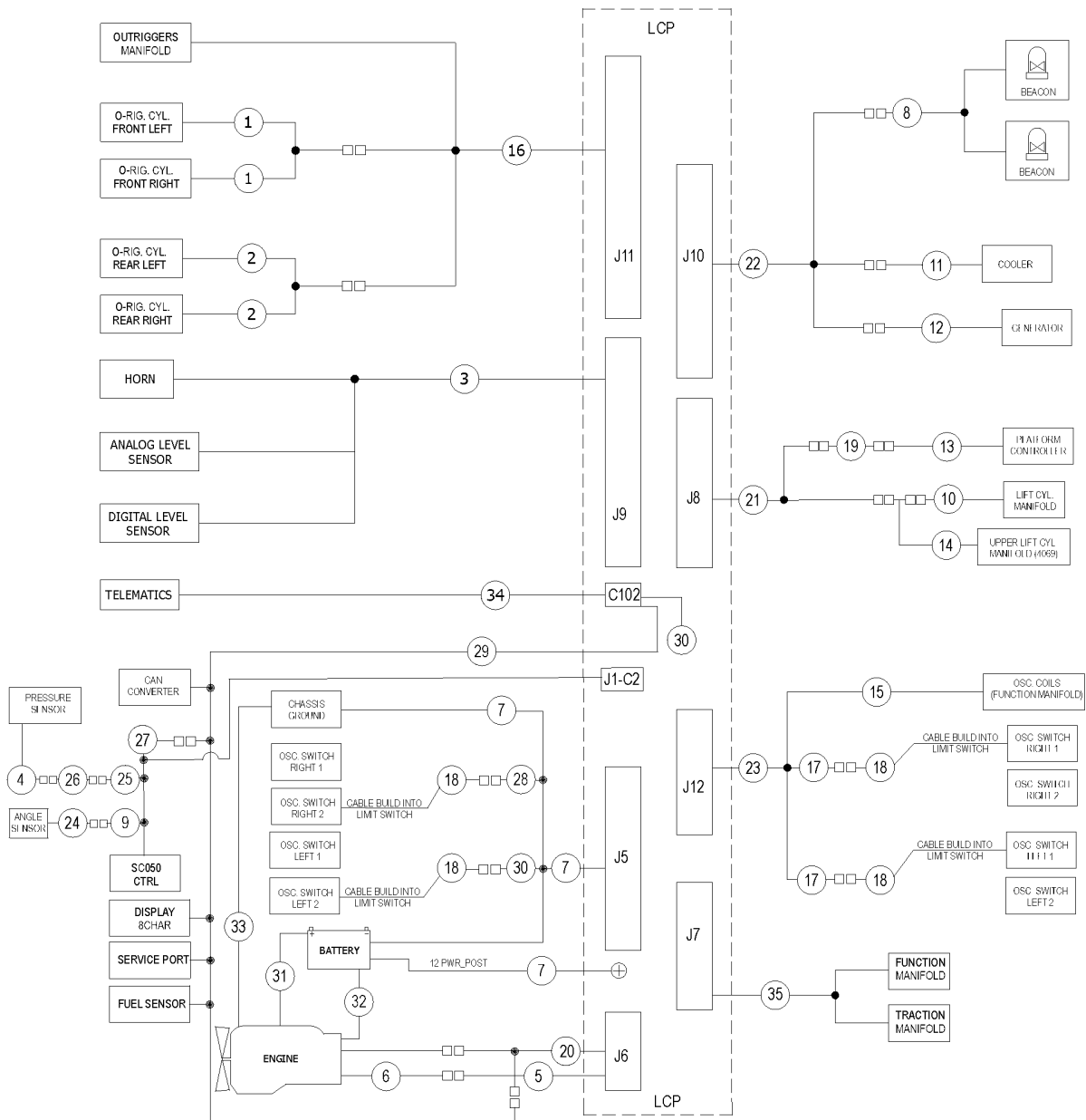


408.2 Electrical Wiring and Power Cables (from GS69F-18000)

Item	Part No.	Description	Qty.
A	1264822GT	KIT, TRC RETROFIT, STNDRD Telematics (includes 1264834)	
A-	1264834GT	INSTRN, TRC RETROFIT, STNDRD	
B	1292674GT	TELEMATIC LEADS, GS69RT	1
1	148090GT	HARNESS,OUTRIGGERS,FRNT,GS69	1
2	148091GT	HARNESS,OUTRIGGERS,REAR,GS69	
3	1299471GT	HARNESS, J9, GS69IC	1
4	1293267GT	SENSOR,PRESSURE,3625PSI,P92S	
5	1306599GT	HARNESS,ENGINE,J6	1
6	148072GT	HARNESS,ENGINE,DIESEL	1
6B	148074GT	HARNESS, ENGINE, PERKINS	1
7	161214GT	HARNESS, BATTERY, J5	1
8	1267806GT	HARNESS, LED BEACON, GS69	1
9	1301003GT	CABLE #2, ANGLE SENSOR	1
10	1259447GT	CABLE,PROP. DOWN COIL 26/3369 GS-2669 and GS-3369	1
11	148080GT	HARNESS,OIL COOLER,GS69	1
12	148081GT	HARNESS,GENERATOR,GS69	1
13	148082GT	CABLE,CONTROL,GS2669 GS-2669 (420 inches, base to platform)	1
13B	148083GT	CABLE,CONTROL,BASE,GS3369 GS-3369 (542 inches, base to platform)	1
13C	148084GT	CABLE,CONTROL,BASE,GS4069 GS-4069 (669 inches, base to platform)	1
14	1259448GT	CABLE,PROP. DOWN COIL 4069 GS-4069	1
15	148088GT	HARNESS,OSC.MNFLD,GS69	1
16	161213GT	HARNESS, OR HARNESS, J11	1
17	148210GT	HARNESS, OSC LIMIT SWITCH 1	1
18	148414GT	HARNESS,OSC SWITCH REAR	2
19	148079GT	CABLE,CONTROL JUMPER,GS69	1
20	1292675GT	HARNESS, ENGINE, GS69 DUAL FUEL	1
21	1299626GT	HARNESS,LINKS,J8, GS69IC	1
22	1299472GT	HARNESS,OPTIONS,J10,GS69	1



408.2 Electrical Wiring and Power Cables (from GS69F-18000)

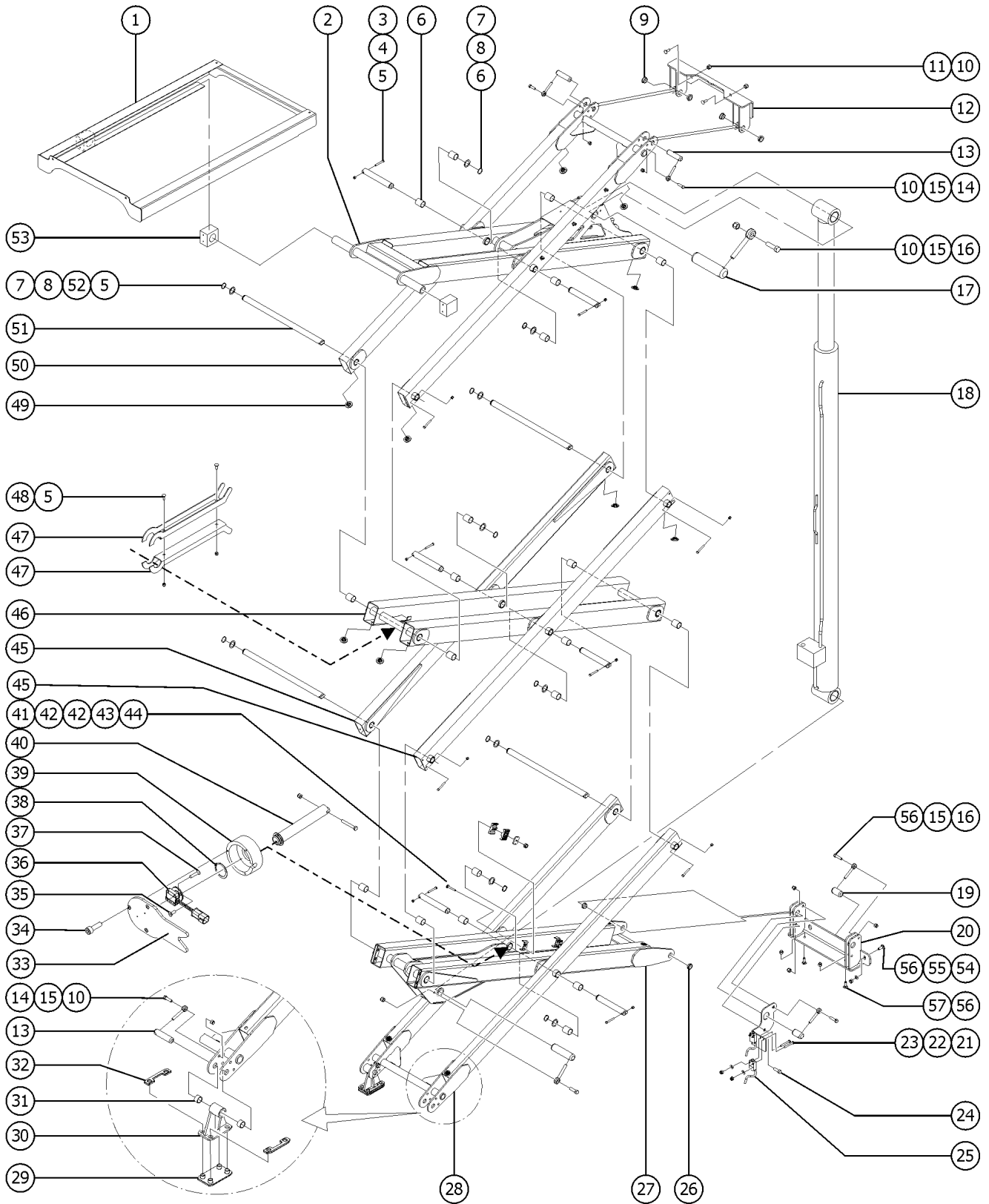


408.2 Electrical Wiring and Power Cables (from GS69F-18000)

Item	Part No.	Description	Qty.
23	T109747GT	HARNESS,OSCILLATE,J12,GS69	1
24	1298080GT	CABLE #1, ANGLE SENSOR	1
25	1301002GT	CABLE #2,PRESSURE SENSOR	1
26	1298079GT	CABLE #1, PRESSURE SENSOR	1
27	1298722GT	HARNESS,SC050 CTRL, GS69 IC (Kubota D1105 Engine)	1
28	148077GT	HARNESS,OSC LIMIT SWITCH 2 (Perkins 403D-11 Engine)	1
29	1299473GT	HARNESS, FUEL SENSE, RT69	1
30	1292674GT	TELEMATIC LEADS, GS69RT	1
31	160905GT	CABLE ASSY, B+ TO STRT, GS69IC (Kubota and Perkins Engines)	1
31B	1273254GT	CABLE ASSY,STARTER,PSI ENGINE (GM .998L Engine)	1
32	160906GT	CABLE ASSY, ENG TO B-, GS69IC	1
33	160907GT	CABLE ASSY, ENG. TO GRD, GS69IC	1
34	1294153GT	HARNESS, HERC TELEMATICS, GS69,90,84	1
34	1291595GT	HARNESS, JUMPER, TELEMATICS	1
34	1303918GT	HARNESS, ADAPTOR, DEUTCH 8 PIN TO 12 PIN, 6", GS	1
34	1304132GT	HARNESS, TELEMATICS, EQUIPMENT SHARE, 63"	1
35	148089GT	CABLE,FUNCTION MANIFOLD,GS69	1



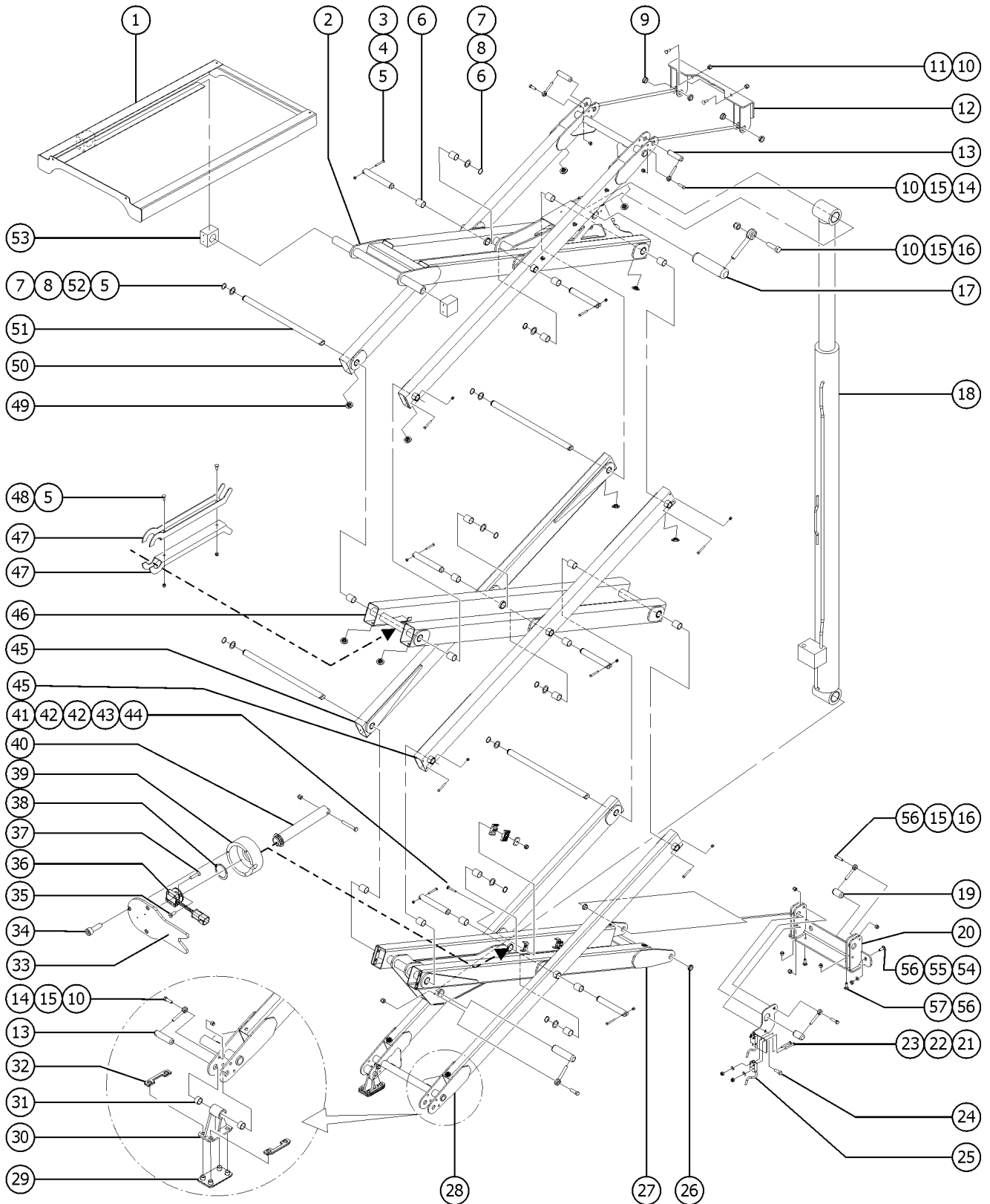
501.1 Scissor Components, GS-2669 RT



Item	Part No.	Description	Qty.
1		Ref. Platform Spacer Weldment (refer to 601.1)	1
2	1256588GT	ASSY, LINK, INNER #3, GRAY, 2669 (includes item #6)	1
3	14033GT	SCREW, HHC, 3/8-16 X 2.75 to SN GS69F-19661	6
3B	1256848GT	SCREW, HHC, 3/8-16X2.75, 8, ZAG from SN GS69F-19662	6
4	148433GT	PIN, CENTER LINK, GS69	9
5	4828GT	NUT, NYLOCK, 3/8-16 to SN GS69F-19661	12
5B	1274166GT	NUT, NYLOCK, 3/8-16, C, ZAG from SN GS69F-19662	12
6	T108138GT	BEARING, 1.50IDX1.75ODX2.00L	20
7	18383GT	SNAP RING, EXTERNAL, 1.5 DIA to SN GS69F-19661	10
7B	825796GT	SNAP RING, EXTERNAL, 1.50, ZAG from SN GS69F-19662	10
8	T108139GT	WASHER, FLAT, 1.510X2.125 to SN GS69F-19661	10
8B	1260941GT	WASHER, SHIM, 1.54X2.00X.125, ZAG from SN GS69F-19662	10
9	112375GT	BEARING, FL, 1.25IDX1.50ODX.44LG	4
10	6198GT	NUT, NYLOCK, 1/2-13 to SN GS69F-19661	8
10B	1274320GT	NUT, NYLOCK, 1/2-13, C, ZAG from SN GS69F-19662	8
11	96977GT	BOLT, CARRIAGE, 1/2-13X1.50, GR5 to SN GS69F-19661	4
11B	1256179GT	BOLT, CARRIAGE, 1/2-13X1.5, 5, ZAG from SN GS69F-19662	4
12		Ref. Platform Pivot Weldment, GS-2669 (refer to 601.1)	1
13	112115GT	PIN, 1.25 DIA X 5.00 LG, 1 HOLE	4
14	22788GT	SCREW, HHC, 1/2-13 X 1.75 to SN GS69F-19661	4
14B	1256168GT	SCREW, HHC, 1/2-13X1.75, 8, ZAG from SN GS69F-19662	4
15	1256267GT	ROD END, 5 X 3.75, ZAG	8
16	6096GT	SCREW, HHC, 1/2-13 X 2 GR5 to SN GS69F-19661	4
16B	1255782GT	SCREW, HHC, 1/2-13X2.0, 8, ZAG from SN GS69F-19662	4
17	112121GT	PIN, CYLINDER, LONG	2
18		Ref. Lift Cylinders (refer to 705.1)	
19	112116GT	PIN, 1.5 DIA X 2.75 LG, 1 HOLE	2
20	1254207GT	WELDMENT, CHASSIS LINK PVT, 2669	1



501.1 Scissor Components, GS-2669 RT

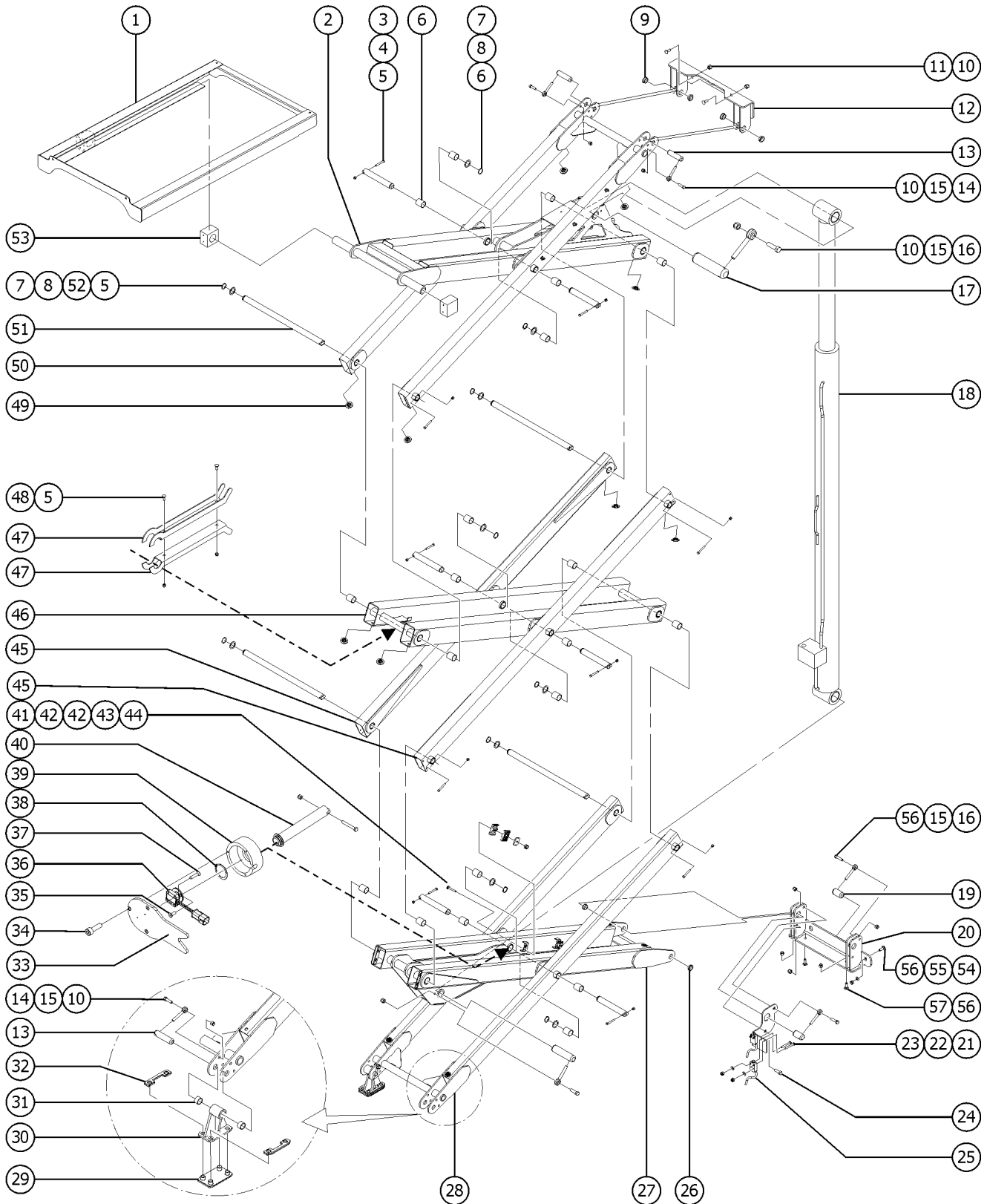


501.1 Scissor Components, GS-2669 RT

Item	Part No.	Description	Qty.
21	49821GT	SCREW,PHILLIPS,PHM,8-32 X 1.25 to SN GS69F-17999	4
22	35461GT	WASHER,FLAT,MS,#8,Y to SN GS69F-17999	4
23	18605GT	NUT,NYLOCK,8-32 to SN GS69F-17999	4
24	1254202GT	FORMING,DOWN LIMIT SWITCH MNT to SN GS69F-17999	1
25	148236GT	SWITCH,LIMIT,PLUNGER,SMALL to SN GS69F-17999	2
26	112350GT	BEARING,FLG,1.50IDX1.75ODX.5LG	2
27	1256586GT	ASSY,LINK,INNER #1,GRAY,GS69 (includes item #6 and #26)	1
28	1254190GT	WELDMENT,LINK,OUTER #1	1
29	112099GT	WEAR PAD,SLIDER FOOT,LOWER	2
30	1254208GT	WELDMENT,SLIDER FOOT, GS2669	2
31	30434GT	BEARING,1.25IDX1.50ODX0.88L	4
32	112100GT	WEAR PAD,SLIDER FOOT,UPPER	4
33	1288162GT	PLATE,LOCK,ANGLE SENSE,GS69 from SN GS69F-18000	1
34	1295341GT	SCREW,SHC,10-24X.625,F837,18-8,SS from SN GS69F-18000	3
35	1295339GT	SCREW,FHS,M3-.5X8,DIN7991,A2-70,SS from SN GS69F-18000	2
36	1293266GT	ASSY,ROTARY SENSOR,130DEG,CW,CCW from SN GS69F-18000	1
37	1295340GT	SCREW,FHS,M3-.5X14,DIN7991,A2-70,SS from SN GS69F-18000	2
38	18383GT	SNAP RING,EXTERNAL,1.5 DIA to SN GS69F-19661	1
38B	825796GT	SNAP RING,EXTERNAL,1.50,ZAG from SN GS69F-19662	1
39	1288047GT	HOUSING,ANGLE SENSOR,1.50PIN from SN GS69F-18000	1
40	1294247GT	ASSY,AS LINK PIN,MID,GS69 from SN GS69F-18000	1
40-	1288048GT	PIN,ANGLE SENSOR,1.50X10.70	
40-	18383GT	SNAP RING,EXTERNAL,1.5 DIA to SN GS69F-19661	
40-	825796GT	SNAP RING,EXTERNAL,1.50,ZAG from SN GS69F-19662	
40-	T108139GT	WASHER,FLAT,1.510X2.125 to SN GS69F-19661	
40-	1260941GT	WASHER,SHIM,1.54X2.00X.125,ZAG from SN GS69F-19662	
40-	14033GT	SCREW,HHC,3/8-16 X 2.75 to SN GS69F-19661	
40-	1256848GT	SCREW,HHC,3/8-16X2.75,8,ZAG from SN GS69F-19662	



501.1 Scissor Components, GS-2669 RT

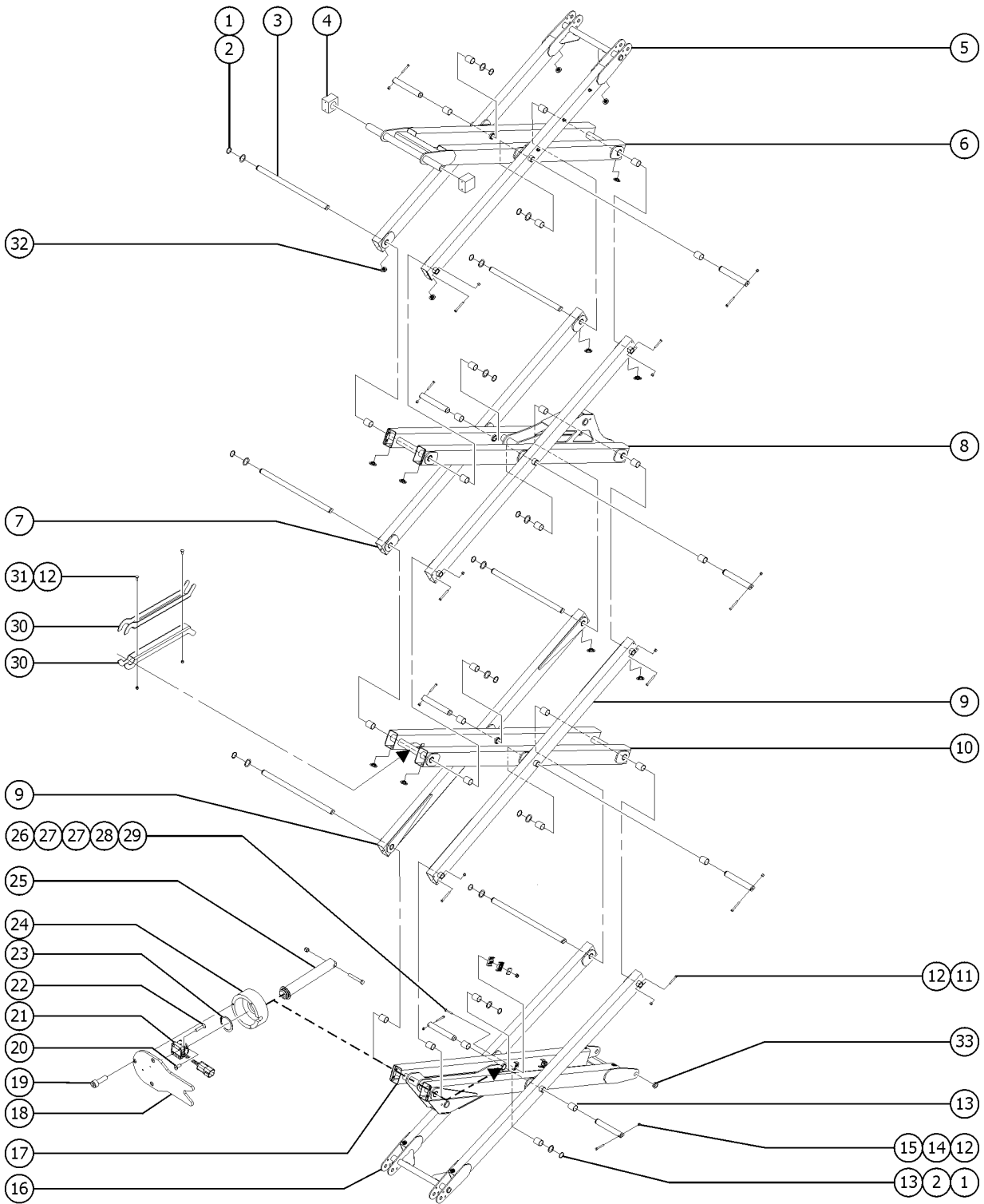


501.1 Scissor Components, GS-2669 RT

Item	Part No.	Description	Qty.
40-	4828GT	NUT, NYLOCK, 3/8-16 to SN GS69F-19661	
40-	1274166GT	NUT, NYLOCK, 3/8-16, C, ZAG from SN GS69F-19662	
41	96905GT	BOLT, CARRIAGE, 1/4-20 X 2.5, G2 to SN GS69F-19661	4
41B	1255797GT	BOLT, CARRIAGE, 1/4-20X2,5,ZAG from SN GS69F-19662	4
42	78736GT	CLAMP, 2 HOSE, PLASTIC, 5/8	8
43	228103GT	PLATE, BACKING, LINKS	4
44	6889GT	NUT, LP NYLOCK, 1/4-20 to SN GS69F-19661	4
44B	1274165GT	NUT, NYLOCK, 1/4-20, C, ZAG from SN GS69F-19662	4
45	235092GT	ARM, 2ND OUTER, W/BEARINGS, WO (ANSI, CSA & Australia models with word decals)	2
45B	235093GT	ARM, 2ND OUTER, W/BEARINGS, SY (Asia, S. America and CE models with symbol decals)	2
45C	1254204GT	WLDMT, LINK, OUTER, #2 (decals not included, refer to section 100)	1
46	235094GT	ARM, 2ND INNER ASSY, W/BEARINGS (models with word & symbol decals)	1
46B	1256587GT	ASSY, LINK, INNER #2, GRAY, GS69 (includes item #6)	1
47	1254192GT	FORMING, SERVICE CHOCK	2
48	64154GT	BOLT, CARRIAGE, 3/8-16 X 1.00, G5 to SN GS69F-19661	2
48B	824125GT	BOLT, CARRIAGE, 3/8-16 X 1, 5, ZAG from SN GS69F-19662	2
49	T109734GT	BUMPER, LINK, GS69	16
50	1254199GT	WELDMENT, LINK, TOP OUTER, GS69	1
51	148434GT	PIN, END LINK, GS69	4
52	6326GT	SCREW, HHC, 3/8-16 X 3 to SN GS69F-19661	4
52B	1260940GT	SCREW, HHC, 3/8-16X3,8,ZAG from SN GS69F-19662	
53	112708GT	SLIDER BLOCK, GS69	2
54	96203GT	BOLT, CARRIAGE, 1/2-13X1.75, G5	
55	6095GT	WASHER, FLAT, USS, 1/2", Y	
56	6198GT	NUT, NYLOCK, 1/2-13 from SN GS69F-19662	6
57	96977GT	BOLT, CARRIAGE, 1/2-13X1.50, GR5 from SN GS69F-19662	2



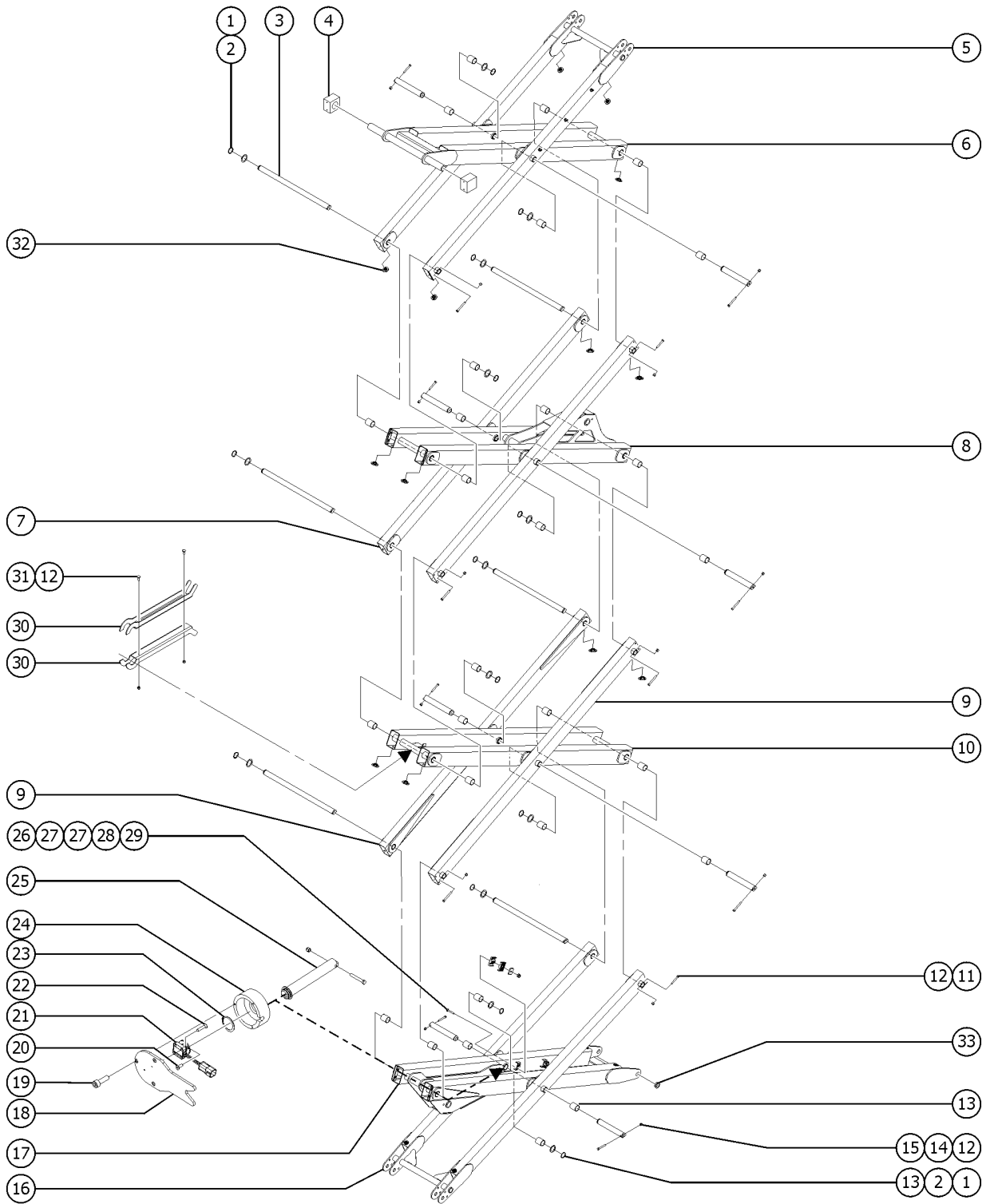
502.1 Scissor Components, GS-3369 RT, View 1



Item	Part No.	Description	Qty.
1	18383GT	SNAP RING,EXTERNAL,1.5 DIA to SN GS69F-19661	14
1B	825796GT	SNAP RING,EXTERNAL,1.50,ZAG from SN GS69F-19662	14
2	T108139GT	WASHER,FLAT,1.510X2.125 to SN GS69F-19661	14
2B	1260941GT	WASHER,SHIM,1.54X2.00X.125,ZAG from SN GS69F-19662	14
3	148434GT	PIN,END LINK,GS69	6
4	112708GT	SLIDER BLOCK, GS69	2
5	1254199GT	WELDMENT,LINK,TOP OUTER,GS69	
6	1256593GT	ASSY,LINK,INR #4-3369,#5-4069 (includes item #13)	
7	1254198GT	WELDMENT,LINK,OUTER #2,3,4	
8	1256594GT	ASSY,LINK,INNER #3,GRAY,3369 (includes item #13)	
9	1254204GT	WLDMT,LINK,OUTER,#2 (decals not included, refer to section 100)	
10	1256587GT	ASSY,LINK,INNER #2,GRAY,GS69 (includes item #13)	
11	6326GT	SCREW,HHC,3/8-16 X 3 to SN GS69F-19661	
11B	1260940GT	SCREW,HHC,3/8-16X3,8,ZAG from SN GS69F-19662	
12	4828GT	NUT, NYLOCK, 3/8-16 to SN GS69F-19661	
12B	1274166GT	NUT,NYLOCK,3/8-16,C,ZAG from SN GS69F-19662	
13	T108138GT	BEARING,1.50IDX1.75ODX2.00L	28
14	148433GT	PIN,CENTER LINK,GS69	8
15	14033GT	SCREW, HHC, 3/8-16 X 2.75 to SN GS69F-19661	
15B	1256848GT	SCREW,HHC,3/8-16X2.75,8,ZAG from SN GS69F-19662	
16	1254190GT	WELDMENT,LINK,OUTER #1	
17	1256586GT	ASSY,LINK,INNER #1,GRAY,GS69 (includes items #13 and #33)	
18	1288162GT	PLATE,LOCK,ANGLE SENSE,GS69 from SN GS69F-18000	1
19	1295341GT	SCREW,SHC,10-24X.625,F837,18-8,SS from SN GS69F-18000	3
20	1295339GT	SCREW,FHS,M3-.5X8,DIN7991,A2-70,SS from SN GS69F-18000	2
21	1293266GT	ASSY,ROTARY SENSOR,130DEG,CW,CCW from SN GS69F-18000	1
22	1295340GT	SCREW,FHS,M3-.5X14,DIN7991,A2-70,SS from SN GS69F-18000	2
23	18383GT	SNAP RING,EXTERNAL,1.5 DIA to SN GS69F-19661	1



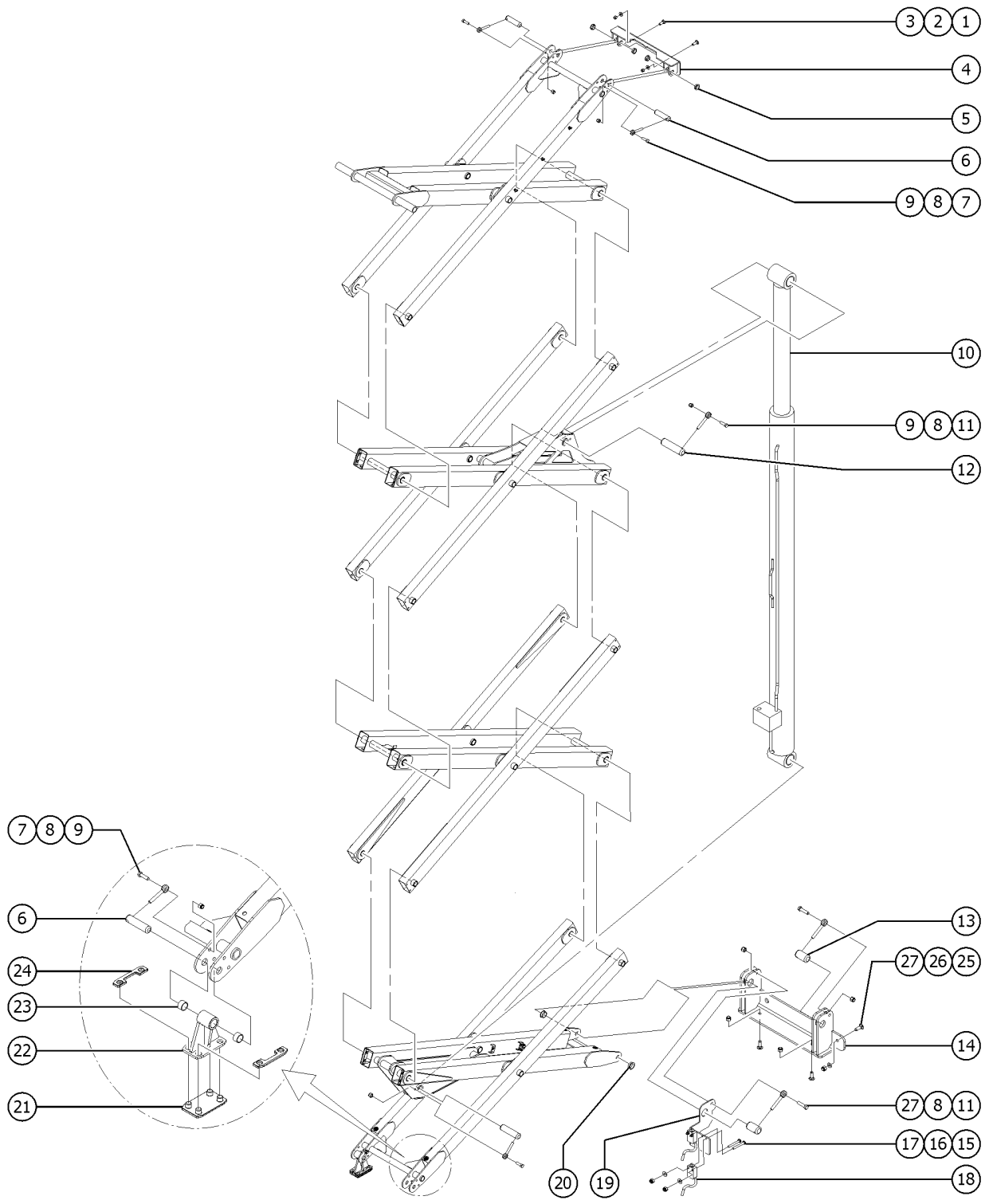
502.1 Scissor Components, GS-3369 RT, View 1



Item	Part No.	Description	Qty.
23B	825796GT	SNAP RING,EXTERNAL,1.50,ZAG from SN GS69F-19662	
24	1288047GT	HOUSING,ANGLE SENSOR,1.50PIN from SN GS69F-18000	1
25	1294247GT	ASSY,AS LINK PIN,MID,GS69 from SN GS69F-18000	1
25-	1288048GT	PIN,ANGLE SENSOR,1.50X10.70	
25-	18383GT	SNAP RING,EXTERNAL,1.5 DIA to SN GS69F-19661	
25-	825796GT	SNAP RING,EXTERNAL,1.50,ZAG from SN GS69F-19662	
25-	T108139GT	WASHER,FLAT,1.510X2.125 to SN GS69F-19661	
25-	1260941GT	WASHER,SHIM,1.54X2.00X.125,ZAG from SN GS69F-19662	
25-	14033GT	SCREW,HHC,3/8-16 X 2.75 to SN GS69F-19661	
25-	1256848GT	SCREW,HHC,3/8-16X2.75,8,ZAG from SN GS69F-19662	
25-	4828GT	NUT,NYLOCK,3/8-16 to SN GS69F-19661	
25-	1274166GT	NUT,NYLOCK,3/8-16,C,ZAG from SN GS69F-19662	
26	96905GT	BOLT,CARRIAGE,1/4-20 X 2.5, G2 to SN GS69F-19661	4
26B	1255797GT	BOLT,CARRIAGE,1/4-20X2.5,ZAG from SN GS69F-19662	4
27	78736GT	CLAMP,2 HOSE,PLASTIC,5/8	8
28	228103GT	PLATE,BACKING,LINKS	4
29	6889GT	NUT,LP NYLOCK,1/4-20 to SN GS69F-19661	4
29B	1274165GT	NUT,NYLOCK,1/4-20,C,ZAG from SN GS69F-19662	4
30	1254192GT	FORMING,SERVICE CHOCK	2
31	64154GT	BOLT,CARRIAGE,3/8-16 X 1.00, G5 to SN GS69F-19661	2
31B	824125GT	BOLT,CARRIAGE,3/8-16 X 1, 5, ZAG from SN GS69F-19662	2
32	T109734GT	BUMPER,LINK,GS69	
33	112350GT	BEARING,FLG,1.50IDX1.75ODX.5LG	



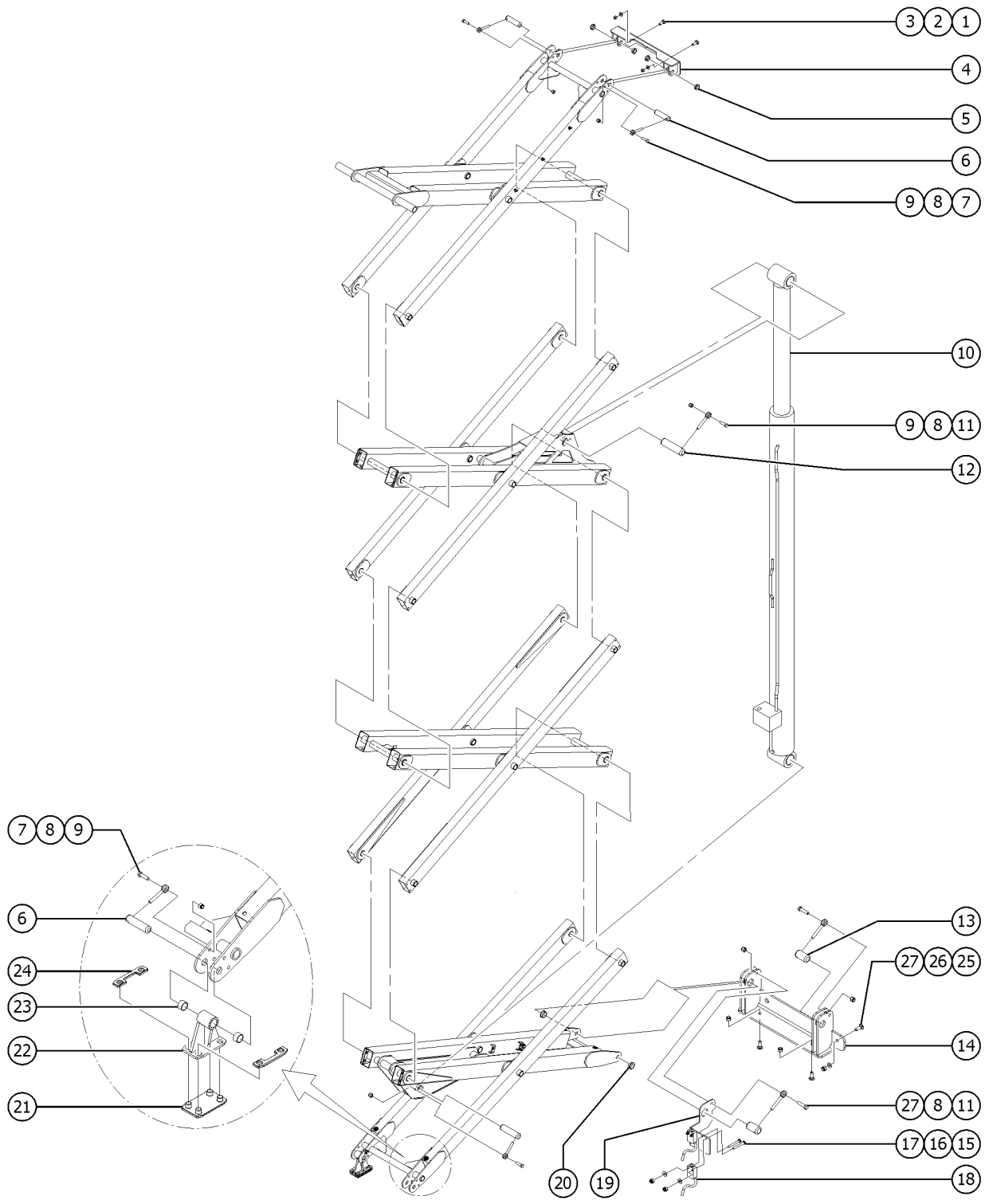
503.1 Scissor Components, GS-3369 RT, View 2



Item	Part No.	Description	Qty.
1	96977GT	BOLT,CARRIAGE,1/2-13X1.50,GR5 to SN GS69F-19661	
1B	1256179GT	BOLT,CARRIAGE,1/2-13X1.5,5,ZAG from SN GS69F-19662	
2	6097GT	WASHER, FLAT, USS, 3/8", Y to SN GS69F-19661	
2B	1255760GT	WASHER,FLAT,1/2,USS,ZAG from SN GS69F-19662	
3	4828GT	NUT, NYLOCK, 3/8-16 to SN GS69F-19661	
3B	1274320GT	NUT,NYLOCK,1/2-13,C,ZAG from SN GS69F-19662	
4		Ref. Platform Pivot Weldment,33/4069 (refer to 602.1)	1
5	112375GT	BEARING,FL,1.25IDX1.50ODX.44LG	4
6	112115GT	PIN,1.25 DIA X 5.00 LG,1 HOLE	4
7	22788GT	SCREW,HHC,1/2-13 X 1.75 to SN GS69F-19661	
7B	1256168GT	SCREW,HHC,1/2-13X1.75,8,ZAG from SN GS69F-19662	
8	1256267GT	ROD END,.5 X 3.75,ZAG	8
9	6198GT	NUT, NYLOCK, 1/2-13 to SN GS69F-19661	
9B	1274320GT	NUT,NYLOCK,1/2-13,C,ZAG from SN GS69F-19662	
10		Ref. Lift Cylinders (refer to 705.1)	
11	6096GT	SCREW,HHC,1/2-13 X 2 GR5 to SN GS69F-19661	
11B	1255782GT	SCREW,HHC,1/2-13X2.0,8,ZAG from SN GS69F-19662	
12	112121GT	PIN,CYLINDER,LONG	2
13	112116GT	PIN,1.5 DIA X 2.75 LG,1 HOLE	2
14	1254203GT	WLDMT,CHASSIS LINK PVT,33/4069	1
15	49821GT	SCREW,PHILLIPS,PHM,8-32 X 1.25 to SN GS69F-17999	
16	35461GT	WASHER,FLAT,MS,#8,Y to SN GS69F-17999	
17	18605GT	NUT,NYLOCK,8-32 to SN GS69F-17999	
18	148236GT	SWITCH,LIMIT,PLUNGER,SMALL to SN GS69F-17999	2
19	1254202GT	FORMING,DOWN LIMIT SWITCH MNT to SN GS69F-17999	1
20	112350GT	BEARING,FLG,1.50IDX1.75ODX.5LG	2
21	112099GT	WEAR PAD,SLIDER FOOT,LOWER	2
22	1254191GT	WELDMENT,SLIDER FT, GS33/4069	2



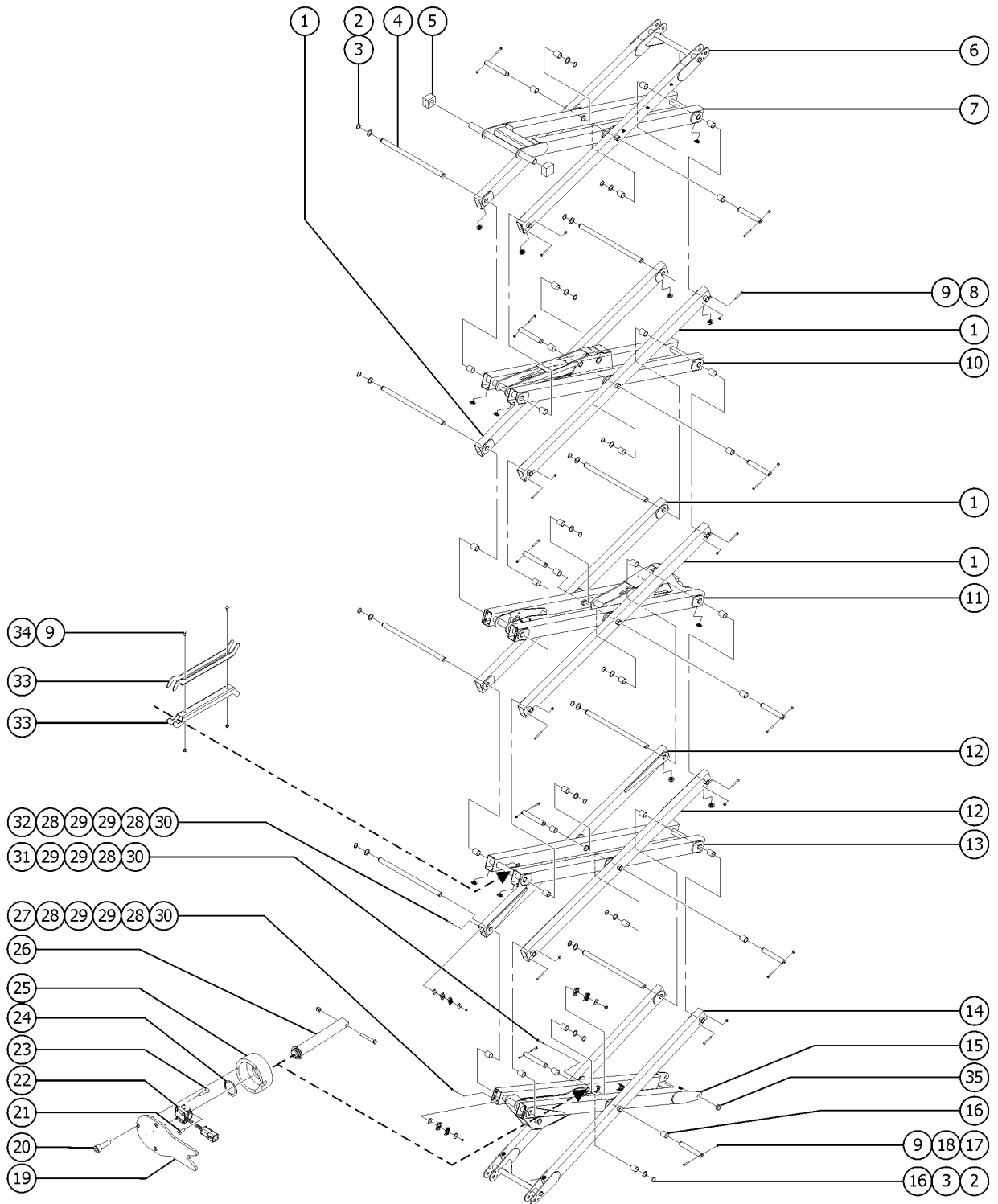
503.1 Scissor Components, GS-3369 RT, View 2



<i>Item</i>	<i>Part No.</i>	<i>Description</i>	<i>Qty.</i>
23	30434GT	BEARING,1.25IDX1.50ODX0.88L	4
24	112100GT	WEAR PAD,SLIDER FOOT,UPPER	4
25	96203GT	BOLT,CARRIAGE,1/2-13X1.75, G5	
26	6095GT	WASHER,FLAT,USS,1/2",Y	
27	6198GT	NUT, NYLOCK, 1/2-13 from SN GS69F-19662	6



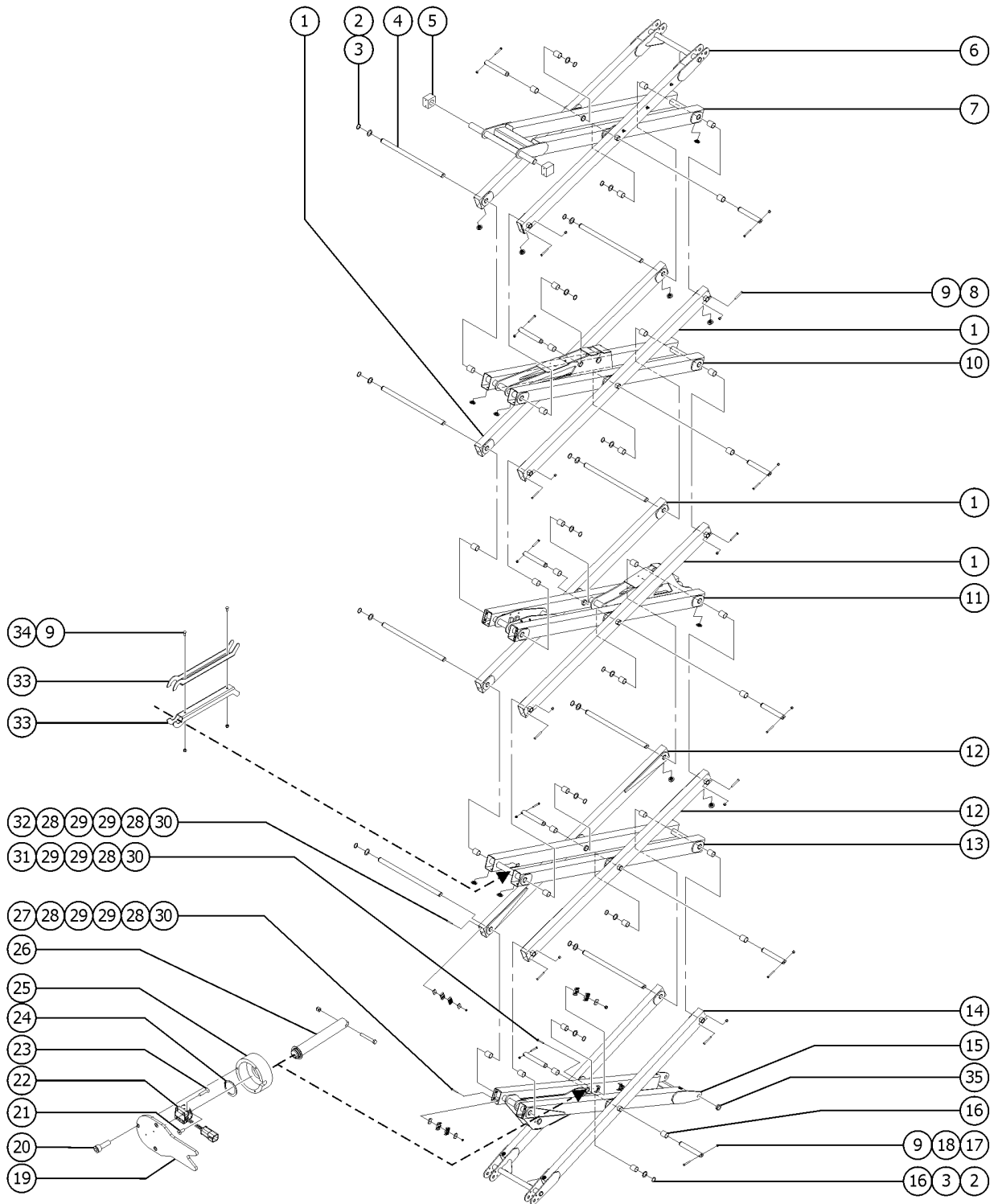
504.1 Scissor Components, GS-4069 RT, View 1



Item	Part No.	Description	Qty.
1	1254198GT	WELDMENT, LINK, OUTER #2,3,4	4
2	18383GT	SNAP RING, EXTERNAL, 1.5 DIA to SN GS69F-19661	18
2B	825796GT	SNAP RING, EXTERNAL, 1.50, ZAG from SN GS69F-19662	18
3	T108139GT	WASHER, FLAT, 1.510X2.125 to SN GS69F-19661	
3B	1260941GT	WASHER, SHIM, 1.54X2.00X.125, ZAG from SN GS69F-19662	
4	148434GT	PIN, END LINK, GS69	8
5	112708GT	SLIDER BLOCK, GS69	2
6	112076GT	WELDMENT, LINK, TOP OUTER, GS69	1
7	1256593GT	ASSY, LINK, INR #4-3369, #5-4069 (includes item #16)	1
8	6326GT	SCREW, HHC, 3/8-16 X 3 to SN GS69F-19661	
8B	1260940GT	SCREW, HHC, 3/8-16X3, 8, ZAG from SN GS69F-19662	
9	4828GT	NUT, NYLOCK, 3/8-16 to SN GS69F-19661	
9B	1274166GT	NUT, NYLOCK, 3/8-16, C, ZAG from SN GS69F-19662	
10	1256598GT	ASSY, LINK, INNER #4, GRAY, 4069 (includes item #16)	1
11	1256597GT	ASSY, LINK, INNER #3, GRAY, 4069 (Genie blue) (includes item #16)	1
12	1254204GT	WLDMT, LINK, OUTER, #2 (decals not included, refer to section 100)	1
13	1256587GT	ASSY, LINK, INNER #2, GRAY, GS69 (includes item #16)	1
14	1254190GT	WELDMENT, LINK, OUTER #1	1
15	1256586GT	ASSY, LINK, INNER #1, GRAY, GS69 (includes item #16 and #35)	1
16	T108138GT	BEARING, 1.50IDX1.75ODX2.00L	
17	14033GT	SCREW, HHC, 3/8-16 X 2.75 to SN GS69F-19661	
17B	1256848GT	SCREW, HHC, 3/8-16X2.75, 8, ZAG from SN GS69F-19662	
18	148433GT	PIN, CENTER LINK, GS69	10
19	1288162GT	PLATE, LOCK, ANGLE SENSE, GS69 from SN GS69F-18000	1
20	1295341GT	SCREW, SHC, 10-24X.625, F837, 18-8, SS from SN GS69F-18000	3
21	1295339GT	SCREW, FHS, M3-.5X8, DIN7991, A2-70, SS from SN GS69F-18000	2
22	1293266GT	ASSY, ROTARY SENSOR, 130DEG, CW, CCW from SN GS69F-18000	1
23	1295340GT	SCREW, FHS, M3-.5X14, DIN7991, A2-70, SS from SN GS69F-18000	2



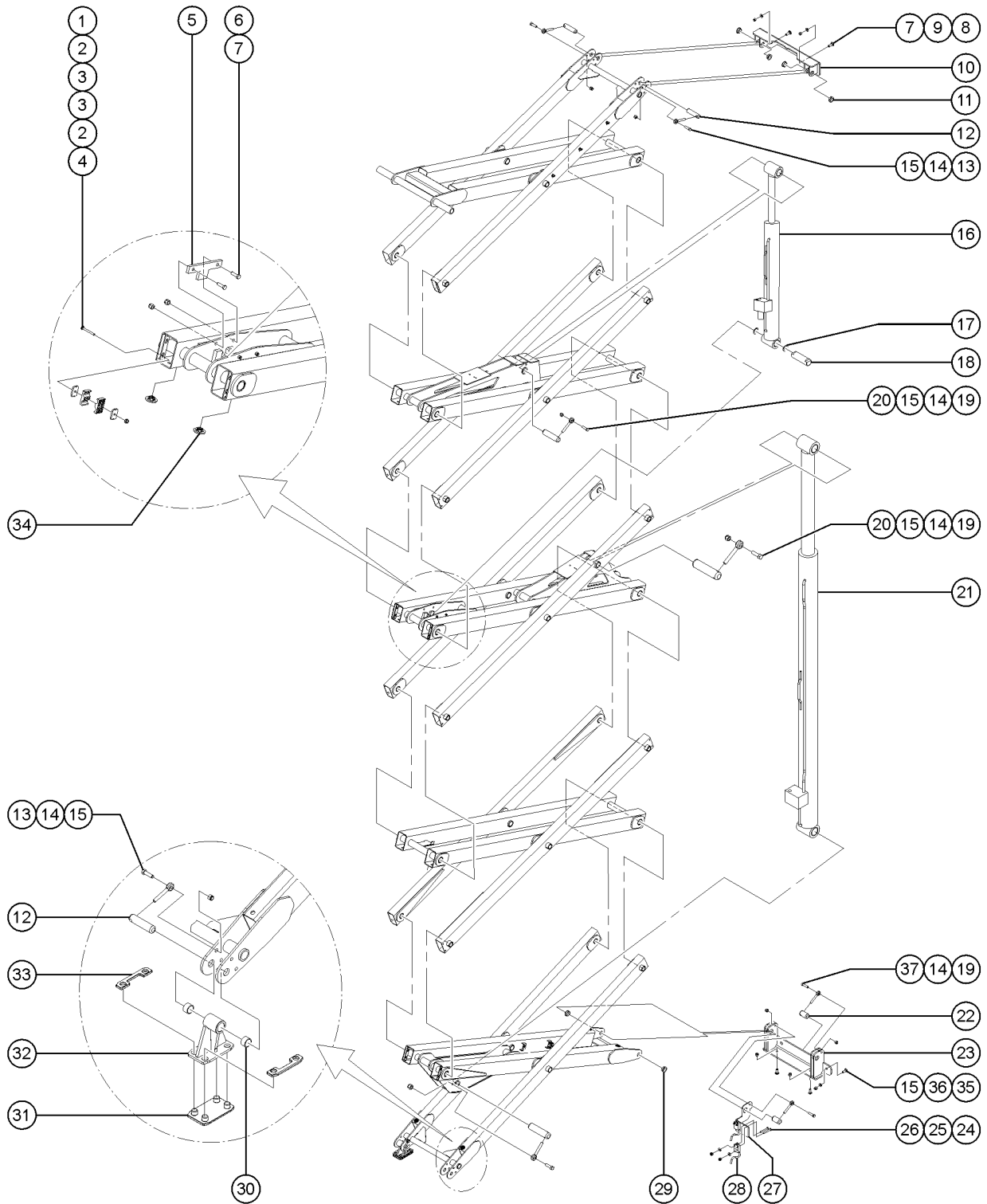
504.1 Scissor Components, GS-4069 RT, View 1



Item	Part No.	Description	Qty.
24	18383GT	SNAP RING,EXTERNAL,1.5 DIA to SN GS69F-19661	1
24B	825796GT	SNAP RING,EXTERNAL,1.50,ZAG from SN GS69F-19662	
25	1288047GT	HOUSING,ANGLE SENSOR,1.50PIN from SN GS69F-18000	1
26	1294247GT	ASSY,AS LINK PIN,MID,GS69 from SN GS69F-18000	1
26-	1288048GT	PIN,ANGLE SENSOR,1.50X10.70	
26-	18383GT	SNAP RING,EXTERNAL,1.5 DIA to SN GS69F-19661	
26-	825796GT	SNAP RING,EXTERNAL,1.50,ZAG from SN GS69F-19662	
26-	T108139GT	WASHER,FLAT,1.510X2.125 to SN GS69F-19661	
26-	1260941GT	WASHER,SHIM,1.54X2.00X.125,ZAG from SN GS69F-19662	
26-	14033GT	SCREW,HHC,3/8-16 X 2.75 to SN GS69F-19661	
26-	1256848GT	SCREW,HHC,3/8-16X2.75,8,ZAG from SN GS69F-19662	
26-	4828GT	NUT,NYLOCK,3/8-16 to SN GS69F-19661	
26-	1274166GT	NUT,NYLOCK,3/8-16,C,ZAG from SN GS69F-19662	
27	96905GT	BOLT,CARRIAGE,1/4-20 X 2.5, G2 to SN GS69F-19661	
27B	1255797GT	BOLT,CARRIAGE,1/4-20X2,5,ZAG from SN GS69F-19662	
28	228103GT	PLATE,BACKING,LINKS	8
29	78736GT	CLAMP,2 HOSE,PLASTIC,5/8	12
30	6889GT	NUT,LP NYLOCK,1/4-20	
31	96905GT	BOLT,CARRIAGE,1/4-20 X 2.5, G2	4
32	4266GT	SCREW,HHC,1/4-20 X 2	
33	1254192GT	FORMING,SERVICE CHOCK	2
34	64154GT	BOLT,CARRIAGE,3/8-16 X 1.00, G5 to SN GS69F-19661	
34B	824125GT	BOLT,CARRIAGE,3/8-16 X 1, 5, ZAG from SN GS69F-19662	
35	112350GT	BEARING,FLG,1.50IDX1.75ODX.5LG	2



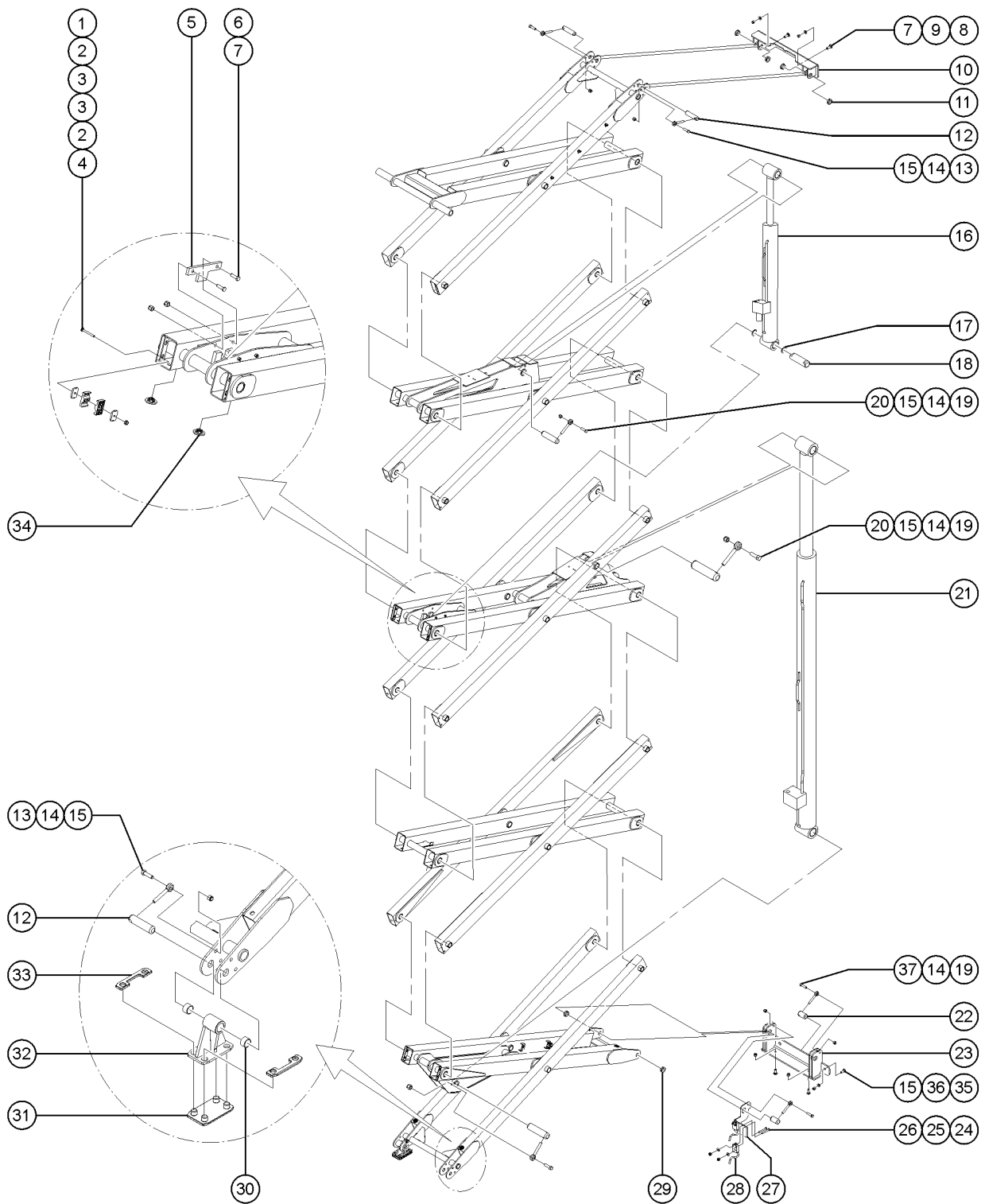
505.1 Scissor Components, GS-4069 RT, View 2



Item	Part No.	Description	Qty.
1	96905GT	BOLT, CARRIAGE, 1/4-20 X 2.5, G2	
2	228103GT	PLATE, BACKING, LINKS	6
3	78736GT	CLAMP, 2 HOSE, PLASTIC, 5/8	6
4	6889GT	NUT, LP NYLOCK, 1/4-20	
5	1254201GT	PLATE, UPR CYL, PIN RETAINR 4069	2
6	6019GT	SCREW, HHC, 3/8-16 X 1.25 GRD 5	
7	4828GT	NUT, NYLOCK, 3/8-16 to SN GS69F-19661	
7B	1274320GT	NUT, NYLOCK, 1/2-13, C, ZAG from SN GS69F-19662	
8	96977GT	BOLT, CARRIAGE, 1/2-13X1.50, GR5 to SN GS69F-19661	
8B	1256179GT	BOLT, CARRIAGE, 1/2-13X1.5, 5, ZAG from SN GS69F-19662	
9	6097GT	WASHER, FLAT, USS, 3/8", Y to SN GS69F-19661	
9B	1255760GT	WASHER, FLAT, 1/2, USS, ZAG from SN GS69F-19662	
10		Ref. Platform Pivot Weldment, 33/4069 (refer to 602.1)	1
11	112375GT	BEARING, FL, 1.25ID X 1.50OD X .44LG	
12	112115GT	PIN, 1.25 DIA X 5.00 LG, 1 HOLE	4
13	22788GT	SCREW, HHC, 1/2-13 X 1.75 to SN GS69F-19661	
13B	1256168GT	SCREW, HHC, 1/2-13X1.75, 8, ZAG from SN GS69F-19662	
14	1256267GT	ROD END, .5 X 3.75, ZAG	9
15	6198GT	NUT, NYLOCK, 1/2-13 to SN GS69F-19661	
15B	1274320GT	NUT, NYLOCK, 1/2-13, C, ZAG from SN GS69F-19662	
16		Ref. Lift Cylinders (refer to 705.1)	
17	39127GT	WASHER, SCIS ARM, 1.79X2.25X.120	2
18	235122GT	PIN, UPPER CYLINDER	1
19	6096GT	SCREW, HHC, 1/2-13 X 2 GR5 to SN GS69F-19661	
19B	1255782GT	SCREW, HHC, 1/2-13X2.0, 8, ZAG from SN GS69F-19662	
20	112121GT	PIN, CYLINDER, LONG	3
21		Ref. Lift Cylinders (refer to 705.1)	
22	112116GT	PIN, 1.5 DIA X 2.75 LG, 1 HOLE	2



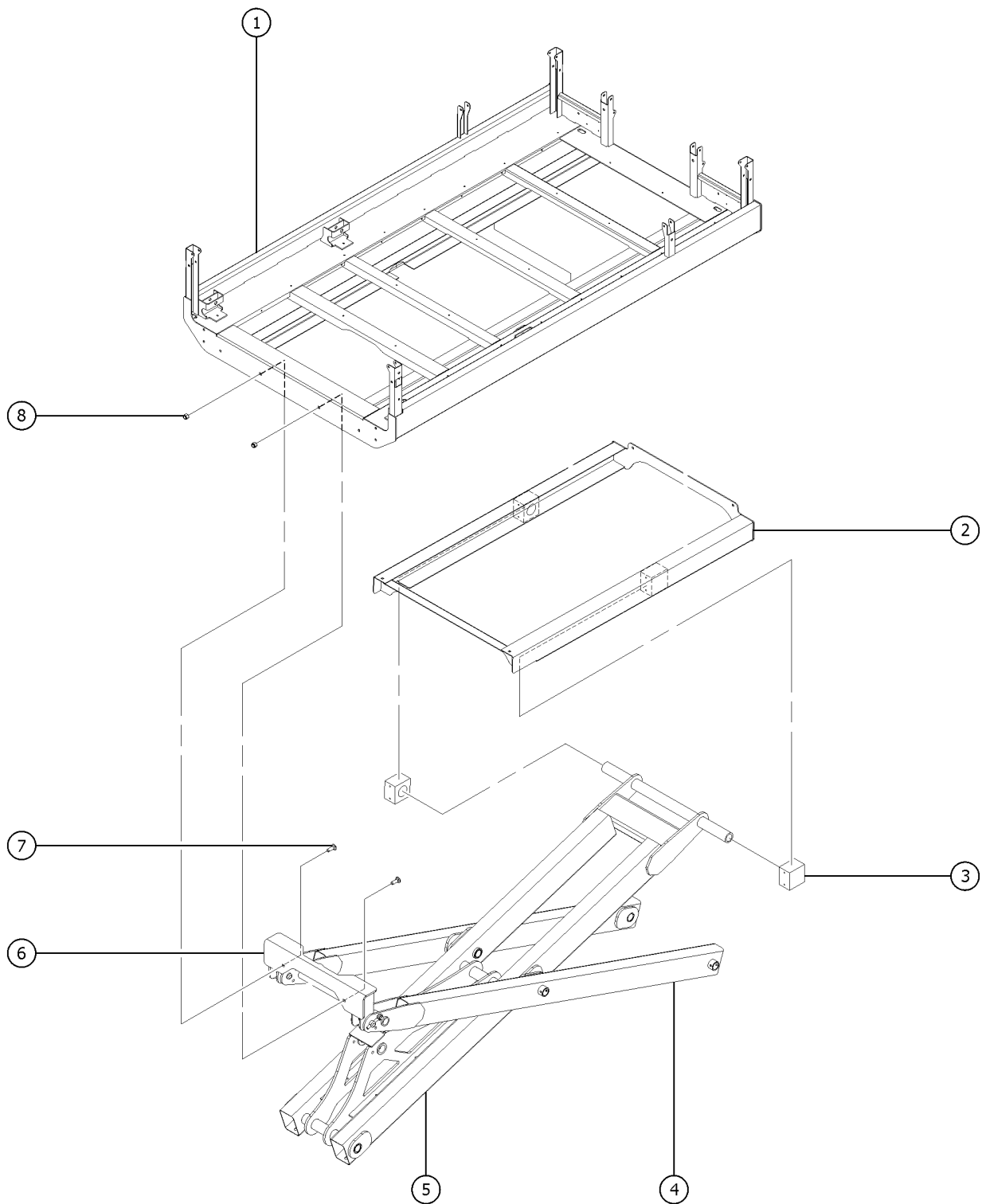
505.1 Scissor Components, GS-4069 RT, View 2



Item	Part No.	Description	Qty.
23	1254203GT	WLDMT,CHASSIS LINK PVT,33/4069	1
24	49821GT	SCREW,PHILLIPS,PHM,8-32 X 1.25	
		to SN GS69F-17999	
25	35461GT	WASHER,FLAT,MS,#8,Y	
		to SN GS69F-17999	
26	18605GT	NUT,NYLOCK,8-32	
		to SN GS69F-17999	
27	1254202GT	FORMING,DOWN LIMIT SWITCH MNT	1
		to SN GS69F-17999	
28	148236GT	SWITCH,LIMIT,PLUNGER,SMALL	2
		to SN GS69F-17999	
29	112350GT	BEARING,FLG,1.50IDX1.75ODX.5LG	2
30	30434GT	BEARING,1.25IDX1.50ODX0.88L	4
31	112099GT	WEAR PAD,SLIDER FOOT,LOWER	2
32	1254191GT	WELDMENT,SLIDER FT, GS33/4069	2
33	112100GT	WEAR PAD,SLIDER FOOT,UPPER	4
34	T109734GT	BUMPER,LINK,GS69	32
35	96203GT	BOLT,CARRIAGE,1/2-13X1.75, G5	
36	6095GT	WASHER,FLAT,USS,1/2",Y	
37	6198GT	NUT, NYLOCK, 1/2-13	2
		from SN GS69F-19662	



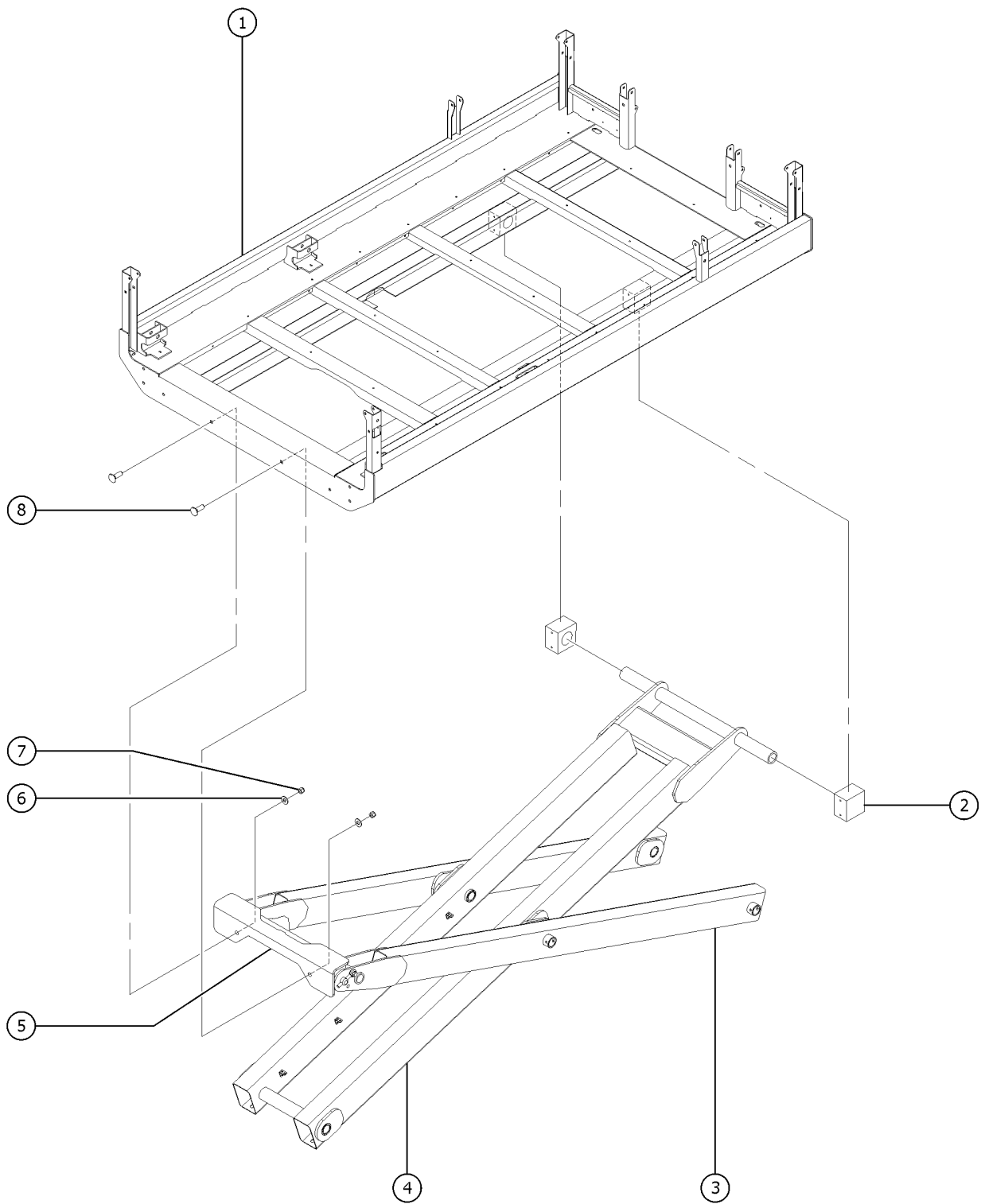
601.1 Platform Installation, GS-2669 RT, View 1



Item	Part No.	Description	Qty.
1	235170GT	MAIN PLAT DECK ASSY,2669,WO,ANSI GS-2669 RT (ANSI & CSA models with word decals)	
1-	235173GT	MAIN PLAT DECK ASSY,2669,WO,AUS GS-2669 RT (Australia models with word decals)	
1-	235176GT	MAIN PLAT DECK ASSY,2669,SY,ANSI GS-2669 RT (Asia & S. America models with symbol decals)	
1-	235179GT	MAIN PLAT DECK ASSY,2669,SY,CE GS-2669 RT (CE models with symbol decals)	
1-	112703GT	WELDMNT,MAIN PLATFORM,GS69 (decals not included, refer to section 100)	1
2	131874GT	WLDMNT,PLATFORM SPACER, 2669	1
3	112708GT	SLIDER BLOCK, GS69	2
4	112076GT	WELDMNT,LINK,TOP OUTER,GS69	1
5	112127GT	ASSY,LINK,INNER #3,BLUE,2669 (bearings included)	1
6	1254206GT	WELDMNT,PLATFORM PIVOT,2669	1
7	96977GT	BOLT,CARRIAGE,1/2-13X1.50,GR5 to SN GS69F-19661	2
7B	1256179GT	BOLT,CARRIAGE,1/2-13X1.5,5,ZAG from SN GS69F-19662	2
8	6198GT	NUT, NYLOCK, 1/2-13 to SN GS69F-19661	2
8B	1274320GT	NUT,NYLOCK,1/2-13,C,ZAG from SN GS69F-19662	2



602.1 Platform Installation, GS-3369 RT and GS-4069 RT, View 2

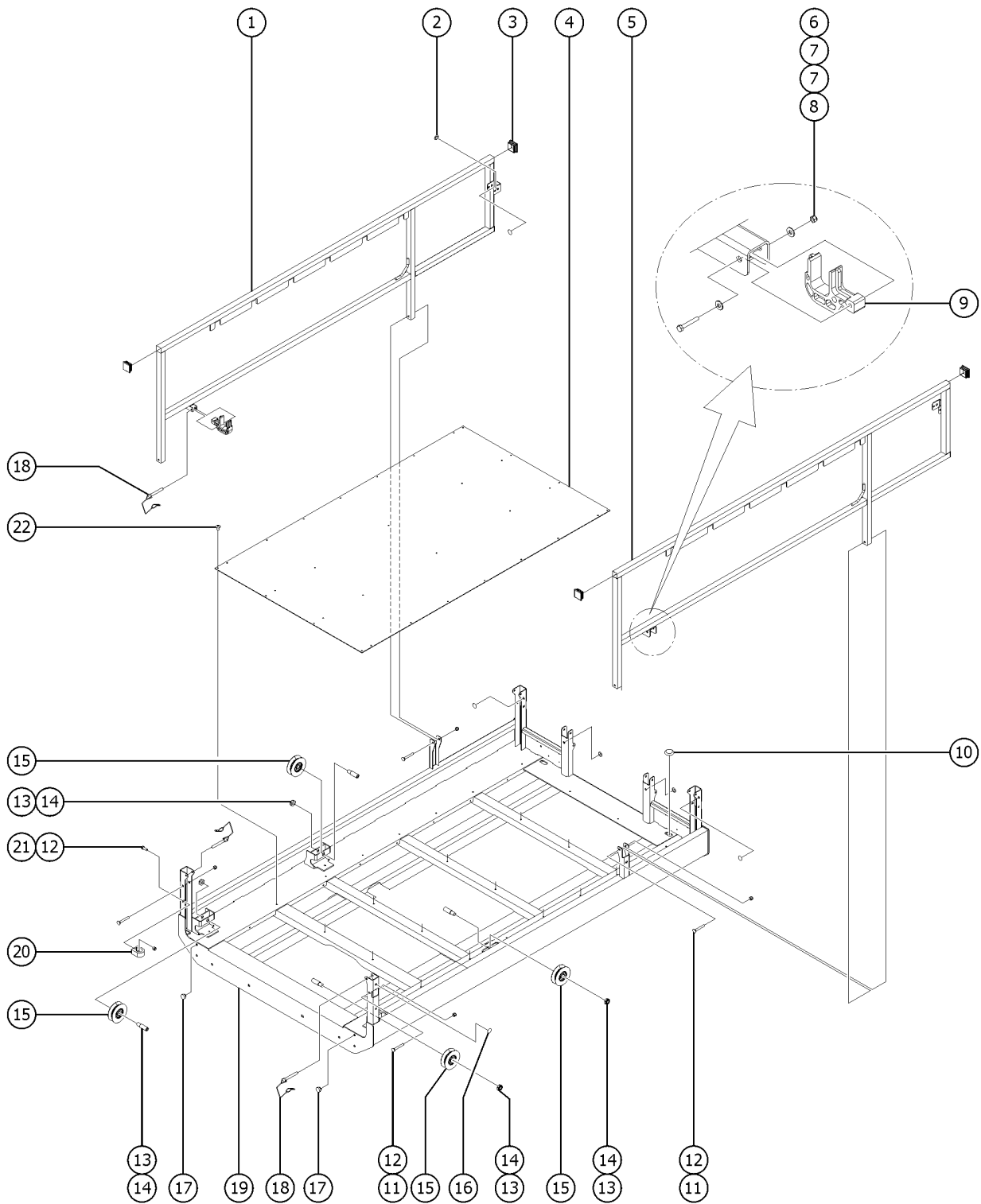


602.1 Platform Installation, GS-3369 RT and GS-4069 RT, View 2

Item	Part No.	Description	Qty.
1	235171GT	MAIN PLAT DECK ASSY,3369,WO,ANSI GS-3369 RT (ANSI & CSA models with word decals)	
1-	235174GT	MAIN PLAT DECK ASSY,3369,WO,AUS GS-3369 RT (Australia models with word decals)	
1-	235177GT	MAIN PLAT DECK ASSY,3369,SY,ANSI GS-3369 RT (Asia & S. America models with symbol decals)	
1-	235180GT	MAIN PLAT DECK ASSY,3369,SY,CE GS-3369 RT (CE models with symbol decals)	
1-	235172GT	MAIN PLAT DECK ASSY,4069,WO,ANSI GS-4069 RT (ANSI & CSA models with word decals)	
1-	235175GT	MAIN PLAT DECK ASSY,4069,WO,AUS GS-4069 RT (Australia models with word decals)	
1-	235178GT	MAIN PLAT DECK ASSY,4069,SY,ANSI GS-4069 RT (Asia & S. America models with symbol decals)	
1-	235181GT	MAIN PLAT DECK ASSY,4069,SY,CE GS-4069 RT (CE models with symbol decals)	
1-	112703GT	WELDMENT,MAIN PLATFORM,GS69 (decals not included, refer to section 100)	1
2	112708GT	SLIDER BLOCK, GS69	2
3	112076GT	WELDMENT,LINK,TOP OUTER,GS69	1
4	112134GT	ASSY,LINK,INR #4-3369,#5-4069 (bearings included)	1
5	1254196GT	WELDMENT,PLAT PIVOT,33/4069	1
6	6097GT	WASHER, FLAT, USS, 3/8", Y to SN GS69F-19661	2
6B	1255760GT	WASHER,FLAT,1/2,USS,ZAG from SN GS69F-19662	2
7	4828GT	NUT, NYLOCK, 3/8-16 to SN GS69F-19661	2
7B	1274320GT	NUT,NYLOCK,1/2-13,C,ZAG from SN GS69F-19662	2
8	96977GT	BOLT,CARRIAGE,1/2-13X1.50,GR5 to SN GS69F-19661	2
8B	1256179GT	BOLT,CARRIAGE,1/2-13X1.5,5,ZAG from SN GS69F-19662	2



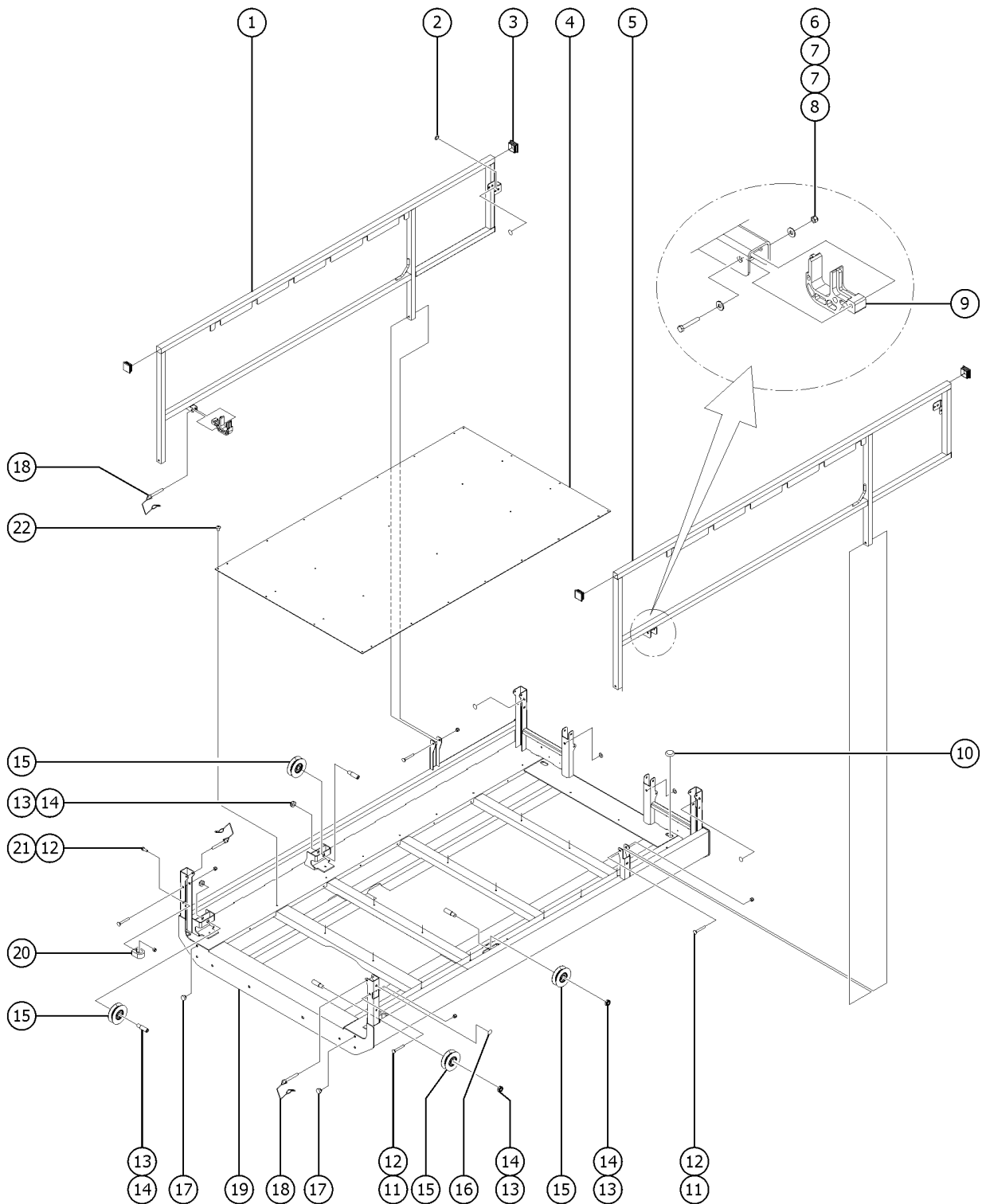
603.1 Platform Railing Installation



Item	Part No.	Description	Qty.
1	235331GT	MAIN PLAT RAIL ASSY,RT	
1-	131744GT	WELDMENT,MAIN RAIL,RIGHT (decals not included, refer to section 100)	1
1B	1286408GT	WELDMENT, PARALLEL GATE, MAIN RAIL, RIGHT	1
1B-	6708GT	SCREW,HHC,3/8-16 X 2.25	2
1B-	6097GT	WASHER, FLAT, USS, 3/8", Y	4
1B-	29080GT	SHIM,WEAR PAD,5X 1.5 16GA	2
1B-	7713GT	NUT, LP NYLOCK, 3/8-16	2
2	47478GT	BUMPER, RUBBER, 1"OD X .461H	10
3	79355GT	PLUG,TUBE,SQ 1.50X.065	5
4	131749GT	PLATE,GS69 DECK	1
5	235332GT	MAIN PLAT RAIL ASSY,LT	
5-	131745GT	WELDMENT,MAIN RAIL,LEFT (decals not included, refer to section 100)	1
6	6091GT	NUT, NYLOCK, 1/4-20	4
		to SN GS69F-19661	
6B	1277924GT	NUT,NYLOCK FLG,1/4-20,F,ZAG	
		from SN GS69F-19662	
7	6638GT	WASHER, FLAT, USS, 1/4"Y	8
		to SN GS69F-19661	
8	6637GT	SCREW,HHC,1/4-20 X 1.75	4
		to SN GS69F-19661	
8B	824082GT	SCREW, HHF, 1/4-20 X 1.75, 8, ZAG	4
		from SN GS69F-19662	
9	71376GT	RAIL SPACER, GS90	4
10	231251GT	PLUG,PLASTIC,1.00"DIA	1
11	112476GT	BOLT,CARRIAGE,3/8-16X2.75,G5	4
		to SN GS69F-19661	
11B	824094GT	SCREW, HHF, 3/8-16 X 2.75, 8, ZAG	4
		from SN GS69F-19662	
12	4828GT	NUT, NYLOCK, 3/8-16	5
		to SN GS69F-19661	
12B	1274166GT	NUT,NYLOCK,3/8-16,C,ZAG	5
		from SN GS69F-19662	
13	38028GT	NUT,LP NYLOCK,5/8-11	4
		to SN GS69F-19661	
13B	1283030GT	NUT,LP NYLOCK,5/8-11,2,ZAG	4
		from SN GS69F-19662	
14	87568GT	PIN, SHOULDER, 5/8-11 X 1.77	4
15	131416GT	V-ROLLER,NARROW,EXT DECK	4
16	47478GT	BUMPER, RUBBER, 1"OD X .461H	2



603.1 Platform Railing Installation

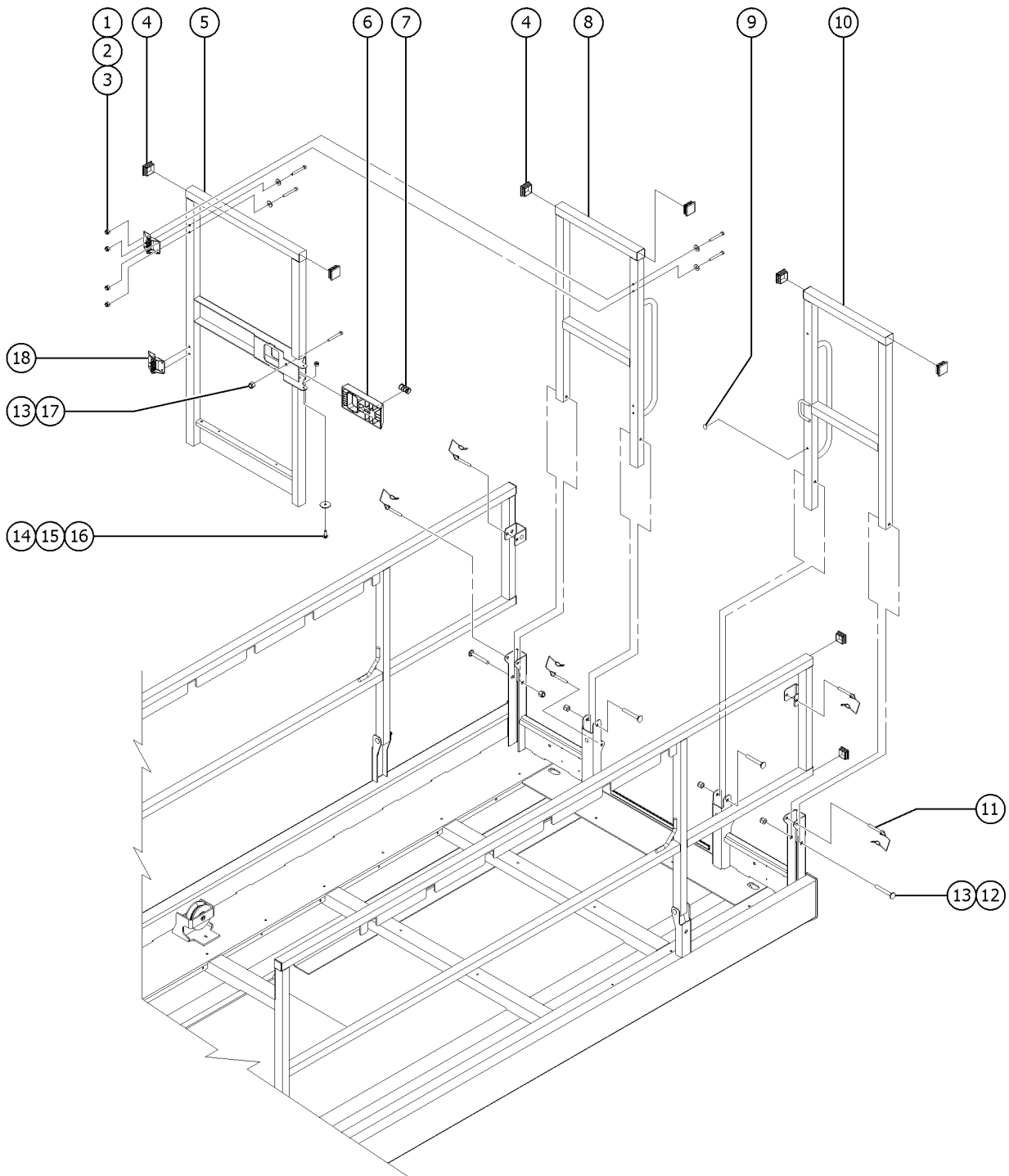


603.1 Platform Railing Installation

<i>Item</i>	<i>Part No.</i>	<i>Description</i>	<i>Qty.</i>
17	47230GT	BUMPER,RUBBER	2
18	66030GT	PIN, WIRE LOCK 3/8 X 2 -1/2 to SN GS69F-19661	6
18B	1259182GT	PIN,WIRE LOCK 3/8 X 2 -1/2,ZAG from SN GS69F-19662	6
19	112703GT	WELDMENT,MAIN PLATFORM,GS69 (Refer to 601.1 & 602.1)	1
20	87523GT	COIL CORD CLIP	1
21	6175GT	SCREW,HHC,3/8-16 X 1 to SN GS69F-19661	1
21B	824067GT	SCREW, HHC, 3/8-16 X 1, 8, ZAG from SN GS69F-19662	1
22	71315GT	RIVET,DRIVE, .25 X .25	24



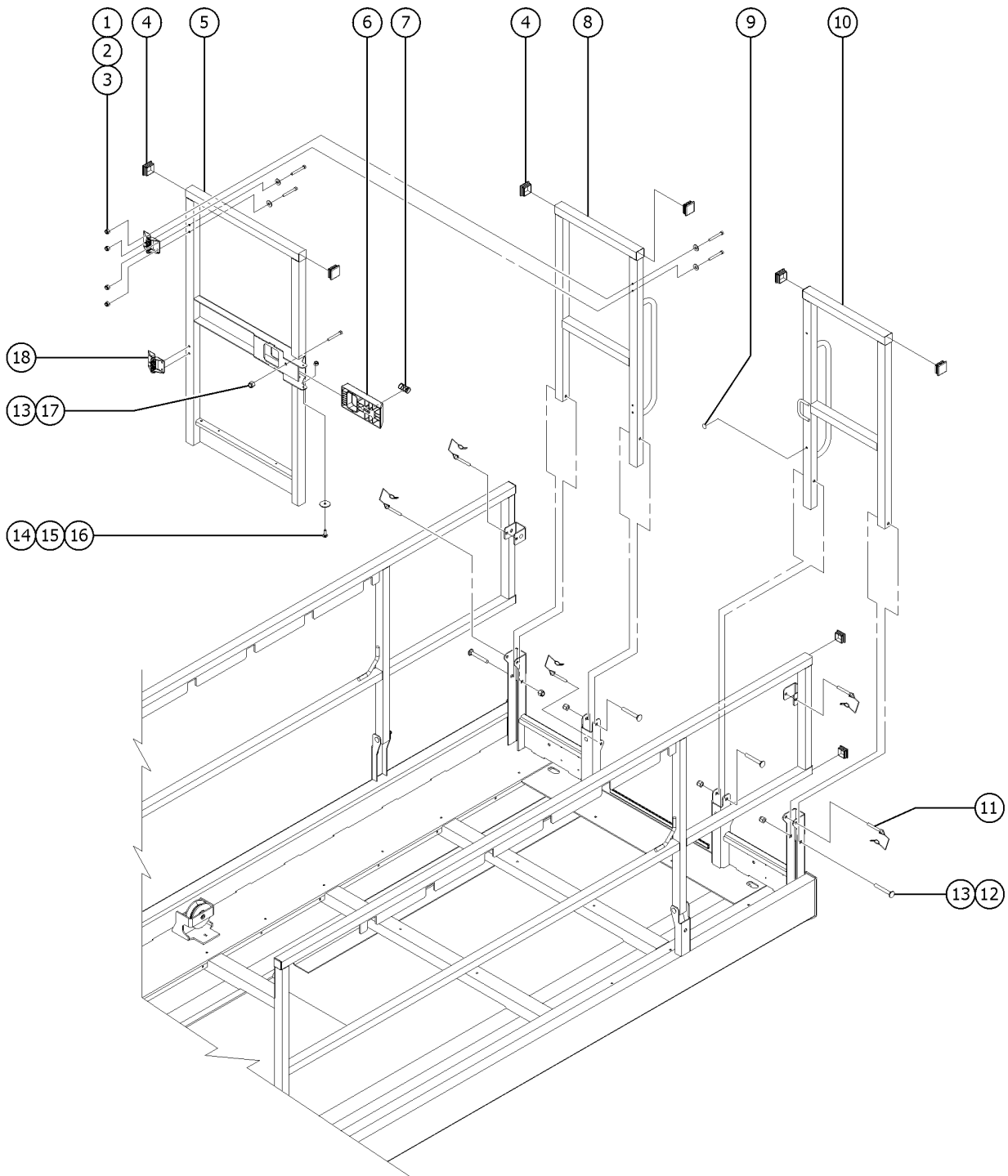
604.1 Platform Entry Gate



Item	Part No.	Description	Qty.
1	6889GT	NUT,LP NYLOCK,1/4-20 to SN GS69F-19661	8
1B	1283026GT	NUT,LP NYLOCK,1/4-20,2,ZAG from SN GS69F-19662	8
2	6638GT	WASHER, FLAT, USS, 1/4"Y to SN GS69F-19661	8
3	4266GT	SCREW,HHC,1/4-20 X 2 to SN GS69F-19661	8
3B	1253485GT	SCREW,HHF,1/4-20X2,8,ZAG from SN GS69F-19662	8
4	79355GT	PLUG,TUBE,SQ 1.50X.065	10
5	87320-SGT	WELDMENT,ENTRY GATE	1
6	112543GT	SLIDER, GATE CATCH	1
7	22446GT	SPRING, COMPRESSION .835 X 2	1
8	131747GT	WELDMENT,MAIN,A-RAIL,RIGHT	1
8B	1286406GT	REF. WELDMENT, PARALLEL GATE, MAIN, A-RAIL, RIGHT	1
9	87475GT	CABLE,PARKING BRAKE LEFT	6
10	131746GT	REF. WELDMENT,MAIN,A-RAIL,LEFT	1
11	66030GT	PIN, WIRE LOCK 3/8 X 2 -1/2 to SN GS69F-19661	5
11B	1259182GT	PIN,WIRE LOCK 3/8 X 2 -1/2,ZAG from SN GS69F-19662	5
12	112476GT	BOLT,CARRIAGE,3/8-16X2.75,G5 to SN GS69F-19661	4
12B	824094GT	SCREW, HHF, 3/8-16 X 2.75, 8, ZAG from SN GS69F-19662	4
13	4828GT	NUT, NYLOCK, 3/8-16 to SN GS69F-19661	5
13B	1274166GT	NUT,NYLOCK,3/8-16,C,ZAG from SN GS69F-19662	5
14	6878GT	BOLT,CARRIAGE,1/4-20 X .75,G2 to SN GS69F-19661	1
14B	824215GT	SCREW, PHPM, 10-32 X .75, ZAG from SN GS69F-19662, (to SN GS69F-22130)	1
14C	1260704GT	SCREW,FHS,1/4-20X1,F835,ZAG from SN GS69F-22131	1
15	47793GT	BUMPER, MODULE TRAY	1
16	1274168GT	NUT,NYLOCK,10-32,A,ZAG to SN GS69F-22130	1
16B	1274165GT	NUT,NYLOCK,1/4-20,C,ZAG from SN GS69F-22131	1
17	8178GT	SCREW, HHC, 3/8-16 X 2.5 to SN GS69F-19661	1
17B	1252978GT	SCREW,HHC,3/8-16X2.25,8,ZAG	1
17C	1260926GT	BOLT,CARRIAGE,3/8-16X2.25,5,ZAG from SN GS69F-22131	1



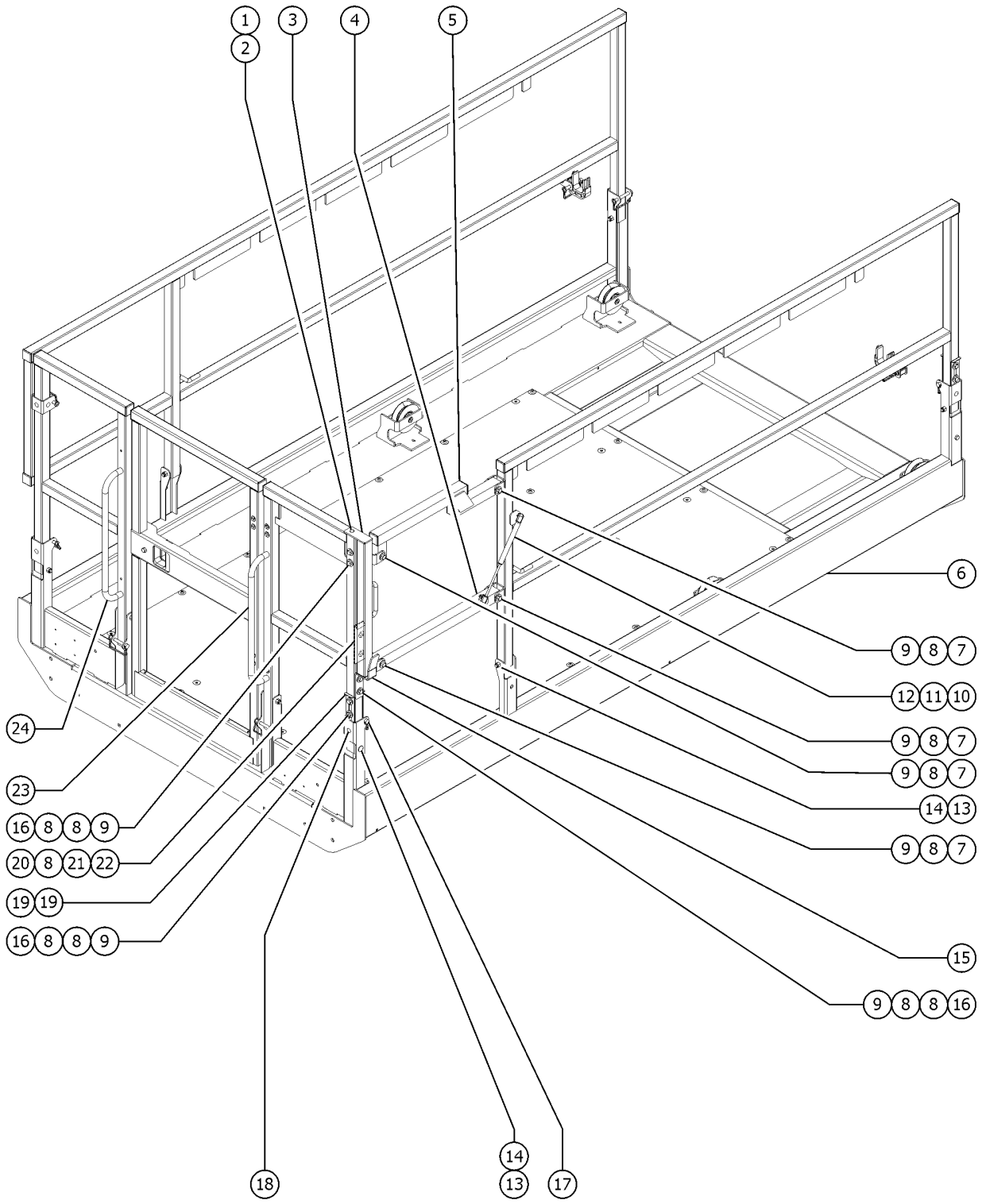
604.1 Platform Entry Gate



<i>Item</i>	<i>Part No.</i>	<i>Description</i>	<i>Qty.</i>
18	104804GT	HINGE, SPRING, LONG LEG	2



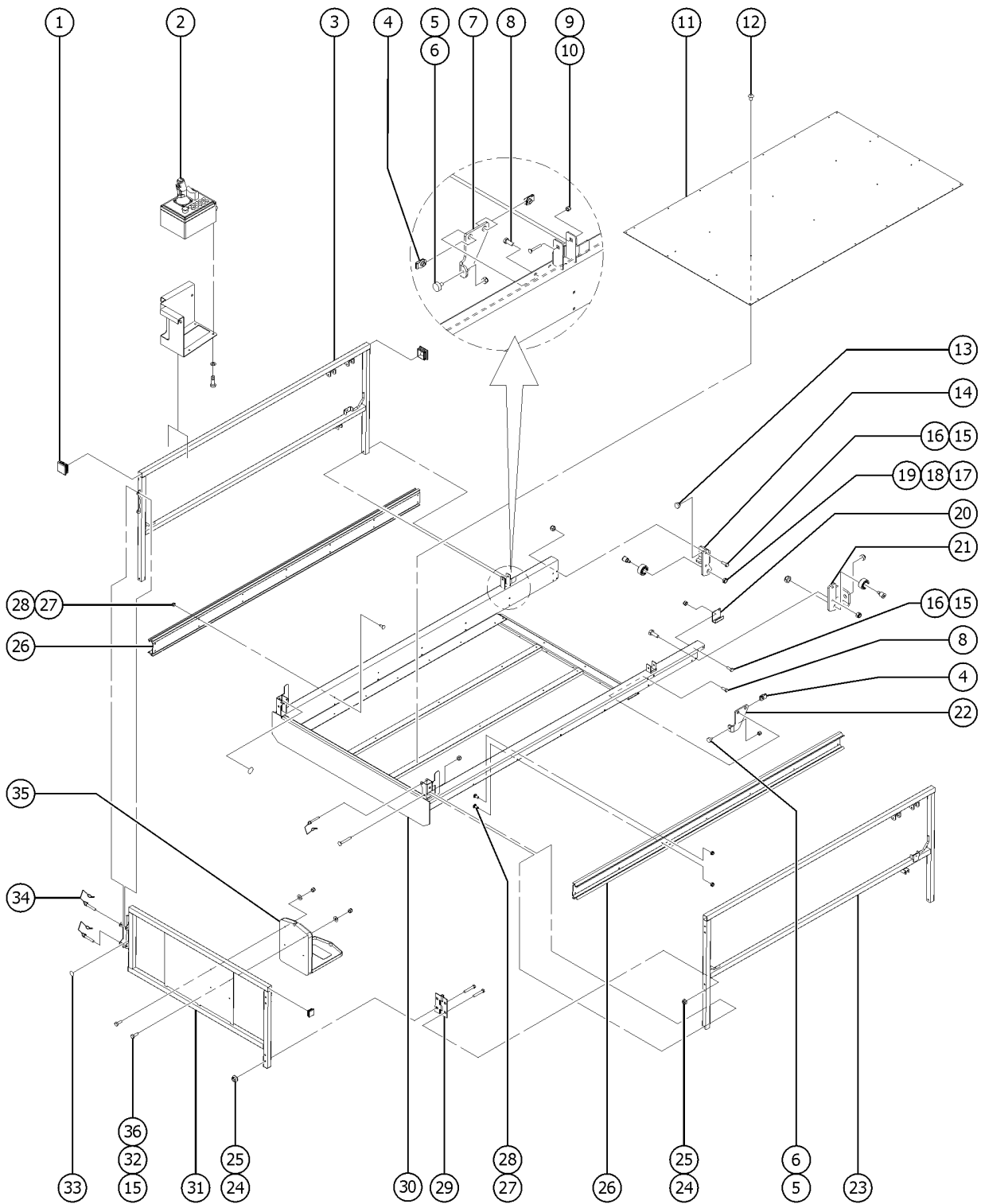
605.1 Platform Side Exit



Item	Part No.	Description	Qty.
1	124576GT	BOLT,CARRIAGE,1/4-20X1.00 G5	1
2	6889GT	NUT,LP NYLOCK,1/4-20	1
3	1286414GT	WELDMENT, PARALLEL GATE SIDE	1
3-	79355GT	PLUG,TUBE,SQ 1.50X.065	1
4	1286413GT	WELDMENT, PARALLEL GATE BOTTOM	1
5	1286397GT	WELDMENT, PARALLEL GATE TOP	1
5-	79355GT	PLUG,TUBE,SQ 1.50X.065	3
6	112703GT	WELDMENT,MAIN PLATFORM,GS69 does not include decals, please refer to Section 1	1
7	8178GT	SCREW, HHC, 3/8-16 X 2.5	4
8	6097GT	WASHER, FLAT, USS, 3/8", Y	18
9	7713GT	NUT, LP NYLOCK, 3/8-16	10
10	226802GT	GAS STRUT,20LB,13"EXT-9"CLOSED	1
11	40265GT	BALL STUD,GAS STRUT (38593)***	1
12	6002GT	NUT, LP NYLOCK, 5/16-18	1
13	112476GT	BOLT,CARRIAGE,3/8-16X2.75,G5	2
14	4828GT	NUT, NYLOCK, 3/8-16	2
15	1286403GT	FORMING, BASE STOPPER	1
16	6708GT	SCREW,HHC,3/8-16 X 2.25	6
17	66030GT	PIN, WIRE LOCK 3/8 X 2 -1/2	1
18	47478GT	BUMPER, RUBBER, 1"OD X .461H	1
19	29080GT	SHIM,WEAR PAD,5X 1.5 16GA	2
20	49772GT	WEAR PAD,6 X 1.5 X.50,W/INSERT	1
20-	48425GT	NUT,FLG-LRG,3/8-16,YZ	2
21	22700 GT	WASHER,LOCK,M10	2
22	5224GT	SCREW,HHC,3/8-16 X 2	2
23	1286406GT	REF. WELDMENT, PARALLEL GATE, MAIN, A-RAIL, RIGHT Refer to 604.1	1
24	131746GT	REF. WELDMENT,MAIN,A-RAIL,LEFT Refer to 604.1	



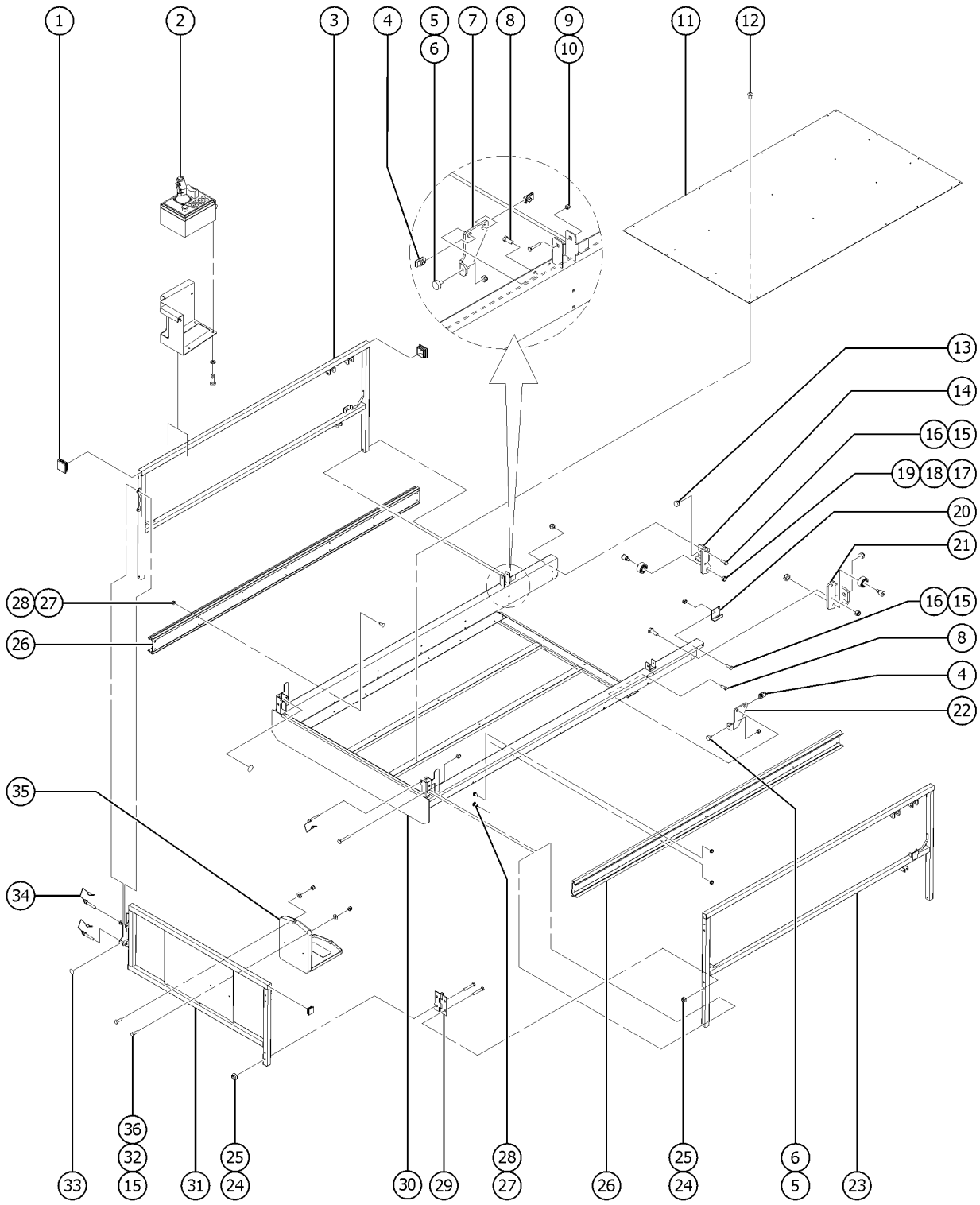
606.1 Platform Extension



Item	Part No.	Description	Qty.
-	33550GT	TAPE,WARNING,BLK/YEL, 50**** (CE and Australia models only)	1
1	79355GT	PLUG,TUBE,SQ 1.50X.065	8
2	231083GT	PLAT.CONTROL BOX.GS69 GEN.2*** (Refer to 609.1)	1
3	235090GT	PLAT SIDE EXT RAIL ASSY,RT	
3-	131743GT	WELDMENT,SIDE EXT RAIL,RIGHT (decals not included, refer to section 100)	1
4	29868GT	SPRING CLIP,3/8-16,.05-.20X.73,ZAG	4
5	79090GT	BUMPER, 1.00 X .375 X 5/16	2
6	6782GT	NUT, NYLOCK, 5/16-18	2
7	99268GT	FORMING,PLATFORM STOP.LEFT (CE models with no outriggers only)	1
8	6175GT	SCREW,HHC,3/8-16 X 1	4
9	112476GT	BOLT,CARRIAGE,3/8-16X2.75,G5 to SN GS69F-19661	4
9B	824094GT	SCREW, HHF, 3/8-16 X 2.75, 8, ZAG from SN GS69F-19662	4
10	4828GT	NUT, NYLOCK, 3/8-16 to SN GS69F-19661	4
10B	1274166GT	NUT,NYLOCK,3/8-16,C,ZAG from SN GS69F-19662	4
11	131749GT	PLATE,GS69 DECK	1
12	71315GT	RIVET,DRIVE, .25 X .25	24
13	47230GT	BUMPER,RUBBER	2
14	87570GT	FORMING,EXT DECK STOP,RIGHT	1
15	6090GT	SCREW, HHC, 1/4-20 X .75 to SN GS69F-19661	12
15B	824059GT	SCREW, HHC, 1/4-20 X .75, 8, ZAG from SN GS69F-19662	12
16	6091GT	NUT, NYLOCK, 1/4-20 to SN GS69F-19661	12
16B	1274165GT	NUT,NYLOCK,1/4-20,C,ZAG from SN GS69F-19662	12
17	7713GT	NUT, LP NYLOCK, 3/8-16 to SN GS69F-19661	2
17B	1283030GT	NUT,LP NYLOCK,5/8-11,2,ZAG from SN GS69F-19662	2
18	38016GT	ROLLER,PLASTIC,AWP96**	2
19	35706GT	BOLT,ROLLER,.470"(SHORT)	2
20	87675GT	FORMING,EXT DECK CATCH	2
21	87571GT	FORMING,EXT DECK STOP,LEFT	1



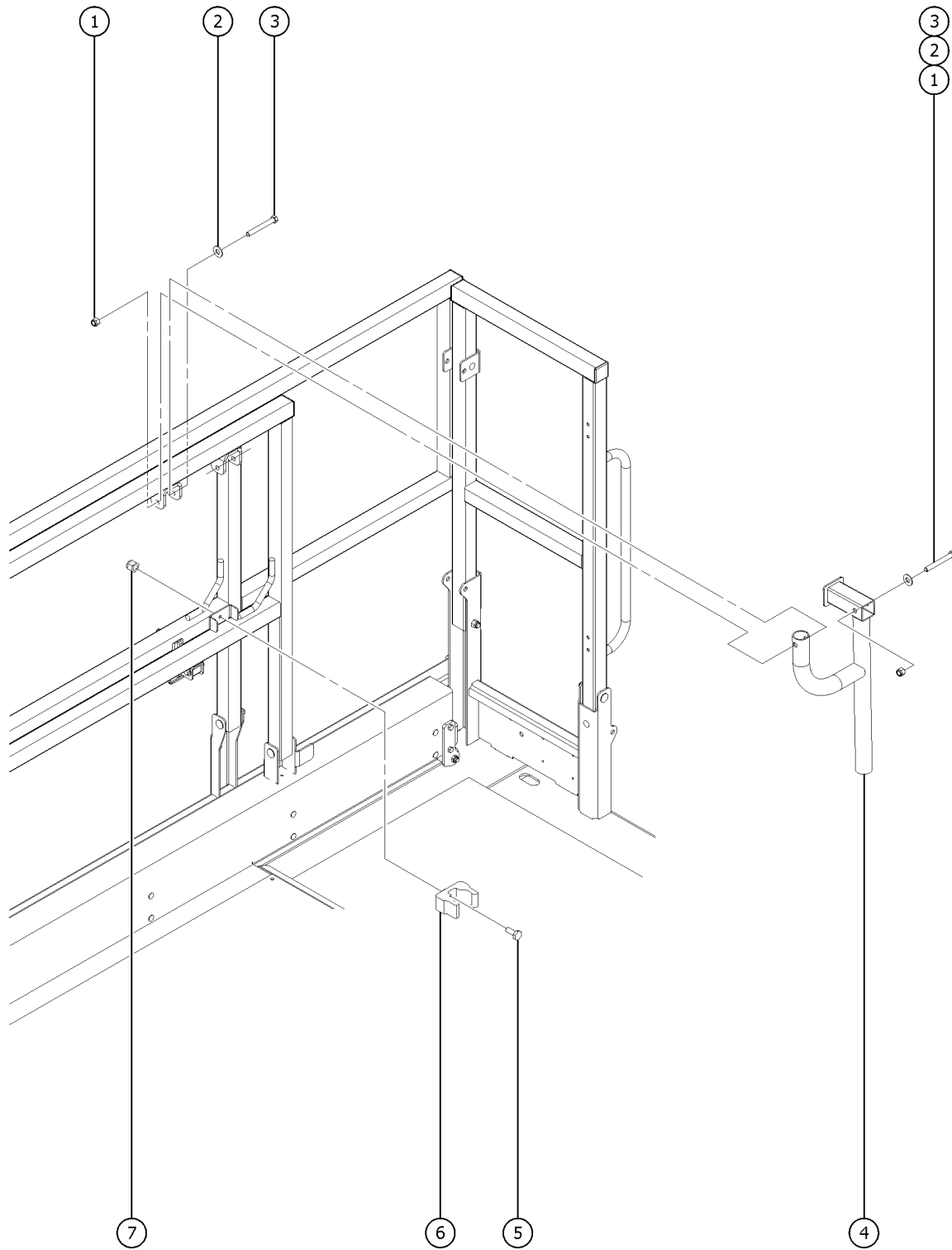
606.1 Platform Extension



Item	Part No.	Description	Qty.
22	99267GT	FORMING,PLATFORM STOP,RIGHT (CE models only)	1
23	235100GT	PLAT SIDE EXT RAIL ASSY,LT	
23-	131741GT	WELDMENT,SIDE EXT RAIL,LEFT (decals not included, refer to section 100)	1
24	48425GT	NUT,FLG-LRG,3/8-16,YZ to SN GS69F-19661	8
24B	1274322GT	NUT,NYLOCK FLG,3/8-16,F,ZAG from SN GS69F-19662	8
25	1260926GT	BOLT,CARRIAGE,3/8-16X2.25,5,ZAG to SN GS69F-21736	8
25B	1256693GT	SCREW,HHF,3/8-16X2.25,8,ZAG from SN GS69F-21737	8
26	131751GT	EXTRUSION,ALUM,V-ROLLER TRK	2
27	87645GT	BOLT,CARRIAGE,1/4-20 X .63,G2 to SN GS69F-19661	28
27B	1260963GT	BOLT,CARRIAGE,1/4-20X.63,5,ZAG from SN GS69F-19662	28
28	6889GT	NUT,LP NYLOCK,1/4-20 to SN GS69F-19661	28
28B	1283026GT	NUT,LP NYLOCK,1/4-20,2,ZAG from SN GS69F-19662	28
29	55517GT	HINGE, GSRT90 BOX	2
30	131735GT	WELDMENT,EXT.DECK,GS69	1
31	235097GT	PLAT EXT DECK RAIL ASSY,END,WO (ANSI & CSA models with word decals)	1
31-	235098GT	PLAT EXT DECK RAIL ASSY,END,WO (Australia models with word decals)	1
31-	235099GT	PLAT EXT DECK RAIL ASSY,END,SY (Asia, S. America & CE models with symbol decals)	1
31-	131742GT	WELDMENT,EXT DECK RAIL,END (decals not included, refer to section 100)	1
32	6638GT	WASHER, FLAT, USS, 1/4"Y	4
33	47478GT	BUMPER, RUBBER, 1"OD X .461H	6
34	66030GT	PIN, WIRE LOCK 3/8 X 2 -1/2 to SN GS69F-19661	4
34B	1259182GT	PIN,WIRE LOCK 3/8 X 2 -1/2,ZAG from SN GS69F-19662	6
35	44743GT	MANUAL BOX W/DECALS*** USA/Canada/Australia	1
35B	24514GT	BOX, INSTRUCTION STORAGE** Europe/Asia/South America (decals required; refer to Section100)	1
36	1277924GT	NUT,NYLOCK FLG,1/4-20,F,ZAG from SN GS69F-19662	4



607.1 Platform Extension Deck Lock

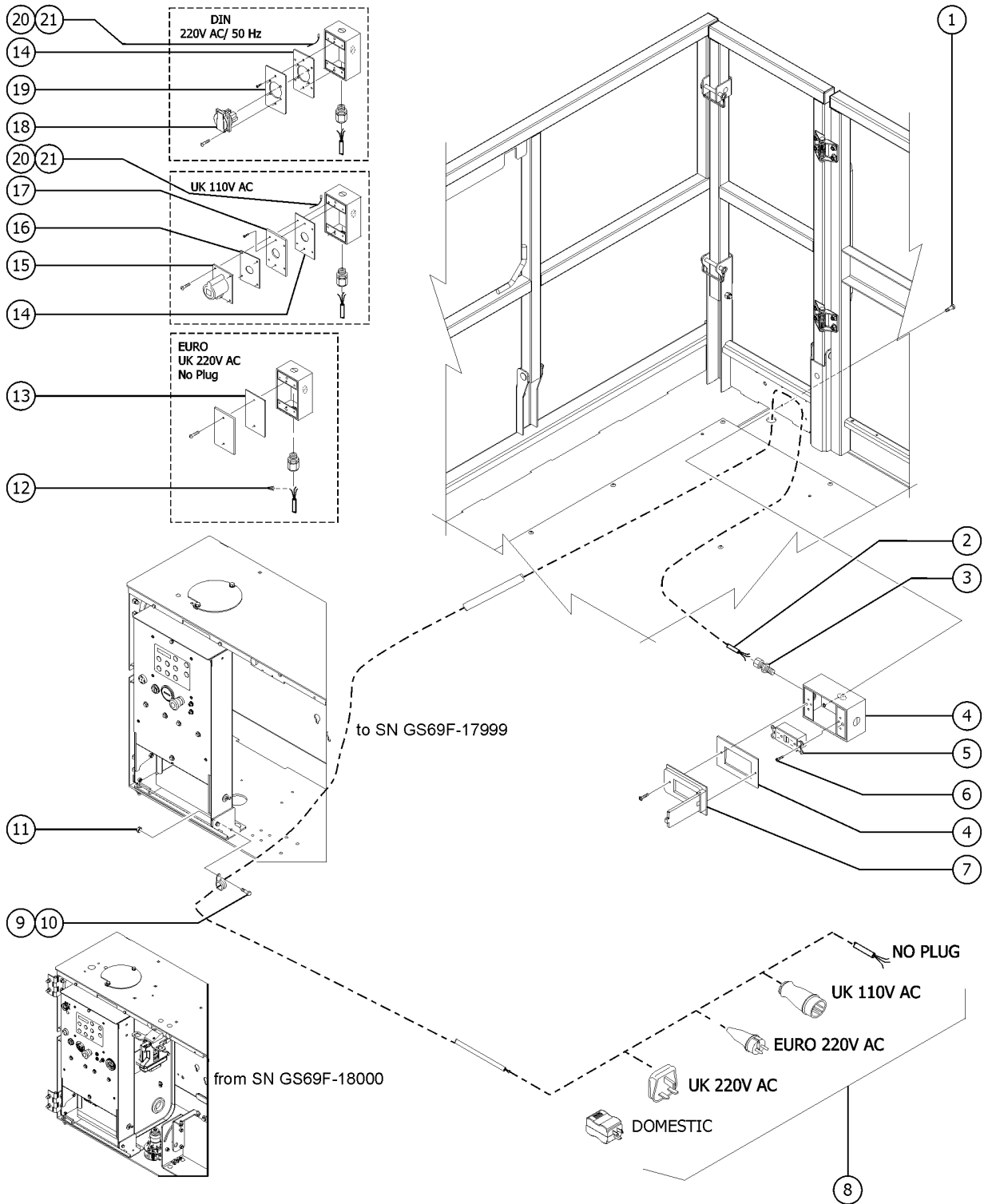


607.1 Platform Extension Deck Lock

Item	Part No.	Description	Qty.
1	4828GT	NUT, NYLOCK, 3/8-16 to SN GS69F-19661	4
1B	1274166GT	NUT, NYLOCK, 3/8-16, C, ZAG from SN GS69F-19662	4
2	6097GT	WASHER, FLAT, USS, 3/8", Y	4
3	6326GT	SCREW, HHC, 3/8-16 X 3 to SN GS69F-19661	4
3B	824095GT	SCREW, HHF, 3/8-16 X 3, 8, ZAG from SN GS69F-19662	4
4A	148422GT	WLDMT, EXT DECK HANDLE, R	1
4B	T108039GT	WLDMT, EXT DECK HANDLE, L (left side)	1
5	8914GT	SCREW, HHC, 1/4-20 X .625 to SN GS69F-19661	2
5B	1268957GT	SCREW, HHC, 1/4-20X.63, 8, ZAG from SN GS69F-19662	2
6	T108074GT	UHMW, EXT LATCH ARM CATCH	2
7	6889GT	NUT, LP NYLOCK, 1/4-20 to SN GS69F-19661	2
7B	1283026GT	NUT, LP NYLOCK, 1/4-20, 2, ZAG from SN GS69F-19662	2



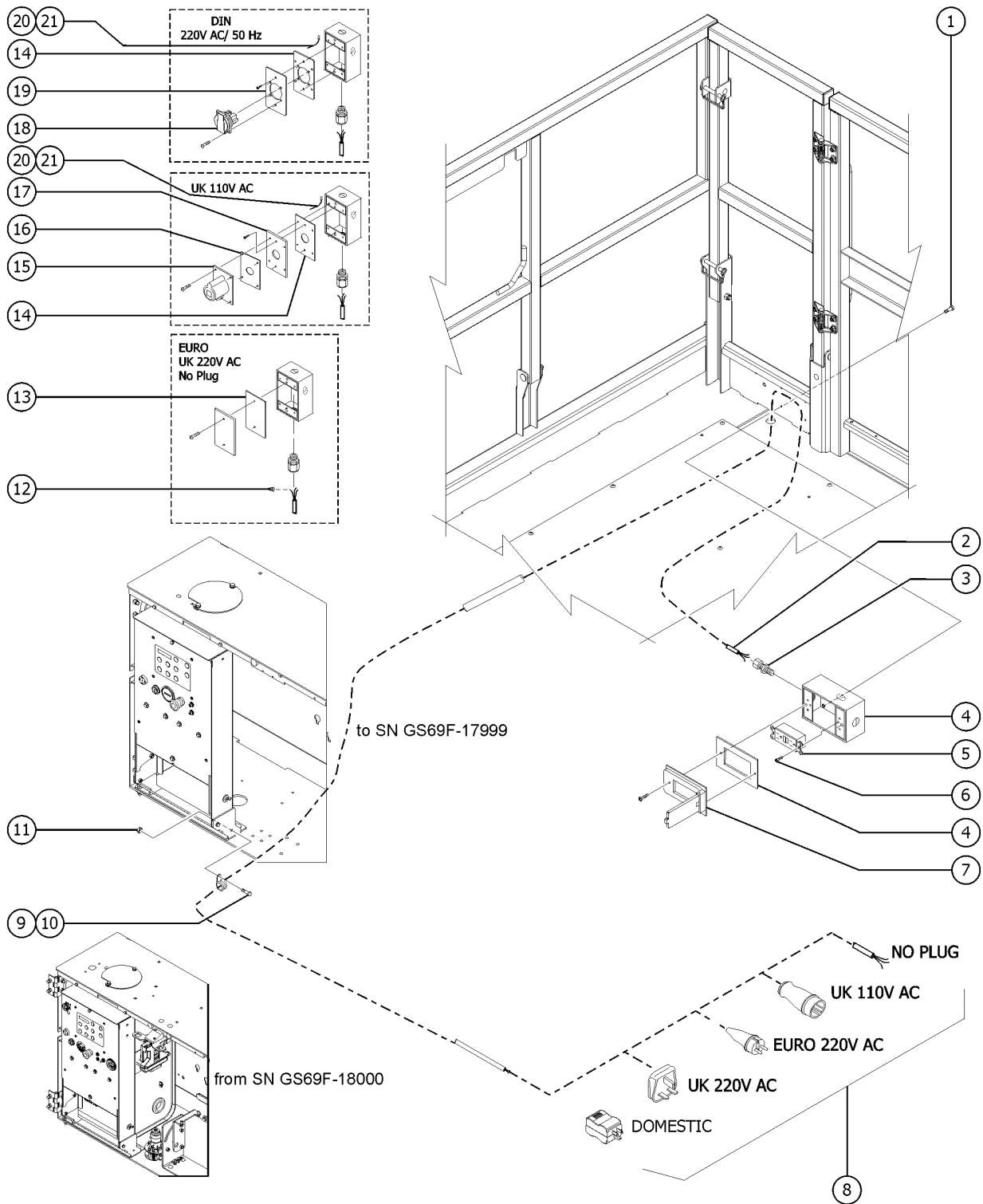
608.1 Power to Platform, GS-2669



Item	Part No.	Description	Qty.
--	33724GT	KIT,GASKET,UK POWER TO PLAT (includes items 14 and 16)	
1	112772GT	SCREW,PHM,8-32X.438 To SNGS69F-19870	
1	57075GT	SCREW, PHIL, 8-32 X .50, SELF TAP From SNGS69F-19871	
2	43956GT	WIRE CABLE, 14/GA/3 CON. TPE JKT* GS-2669	624 in ches
3	7056GT	CONN, SQZ, 1/2NPT, 0.38-0.50,SM	
4	10775GT	T-BOX, 2.75 X 4.5 X 2.0** (no longer available, replaced with 1310378GT)	1
4-	1310378GT	SPRING CLIP,10-24,.025-.125X.468,ZAG	1
5	13585GT	OUTLET, 110V (North America)	1
6	7127GT	SCREW,PHILLIPS,PHM,6-32 X .75	
7	45437GT	COVER,GFCI,WEATHERPROOF (North America; includes gasket and mounting fasteners)	1
8	6595GT	PLUG,ELECTRICAL,DOMESTIC	1
8B	1280665GT	PLUG, TYPE F, 230A, 50HZ, 16A, IP44	
8B-	1262911GT	SLEEVE, CABLE-END, 14AWG, 2.5MM not included in 1280665GT	3
8B-	13597GT	GRIP, CABLE not included in 1280665GT	1
8C	87193GT	PLUG, AUSTRALIAN	
8D	144161GT	SCREW,HHF,1/4-20X.75,8,ZAG	
8D-	1262911GT	SLEEVE, CABLE-END, 14AWG, 2.5MM not included in 144161GT	3
8E	25388GT	PLUG,FUSED,250V,13AMP,U.K.**	
8E-	1262911GT	SLEEVE, CABLE-END, 14AWG, 2.5MM not included in 25388GT	3
8-		FUSE,13 AMP,220V PLUG (component no longer available for plug 25388) refer to BS1362 BUSS TDC180-13A	
8-		NO PLUG Ref. No Plug - Consult Factory	
9	6090GT	SCREW, HHC, 1/4-20 X .75	
10	6091GT	NUT, NYLOCK, 1/4-20	
11	45470GT	CLAMP,0.31,#5 X 1/4,RUB CUSH	1
12	6626GT	WIRE CAP,ORANGE	3
13	10777GT	COVER, BLANK (includes mounting fasteners)	1
14	66355GT	GASKET, UK & DIN PWR. TO PLAT	1



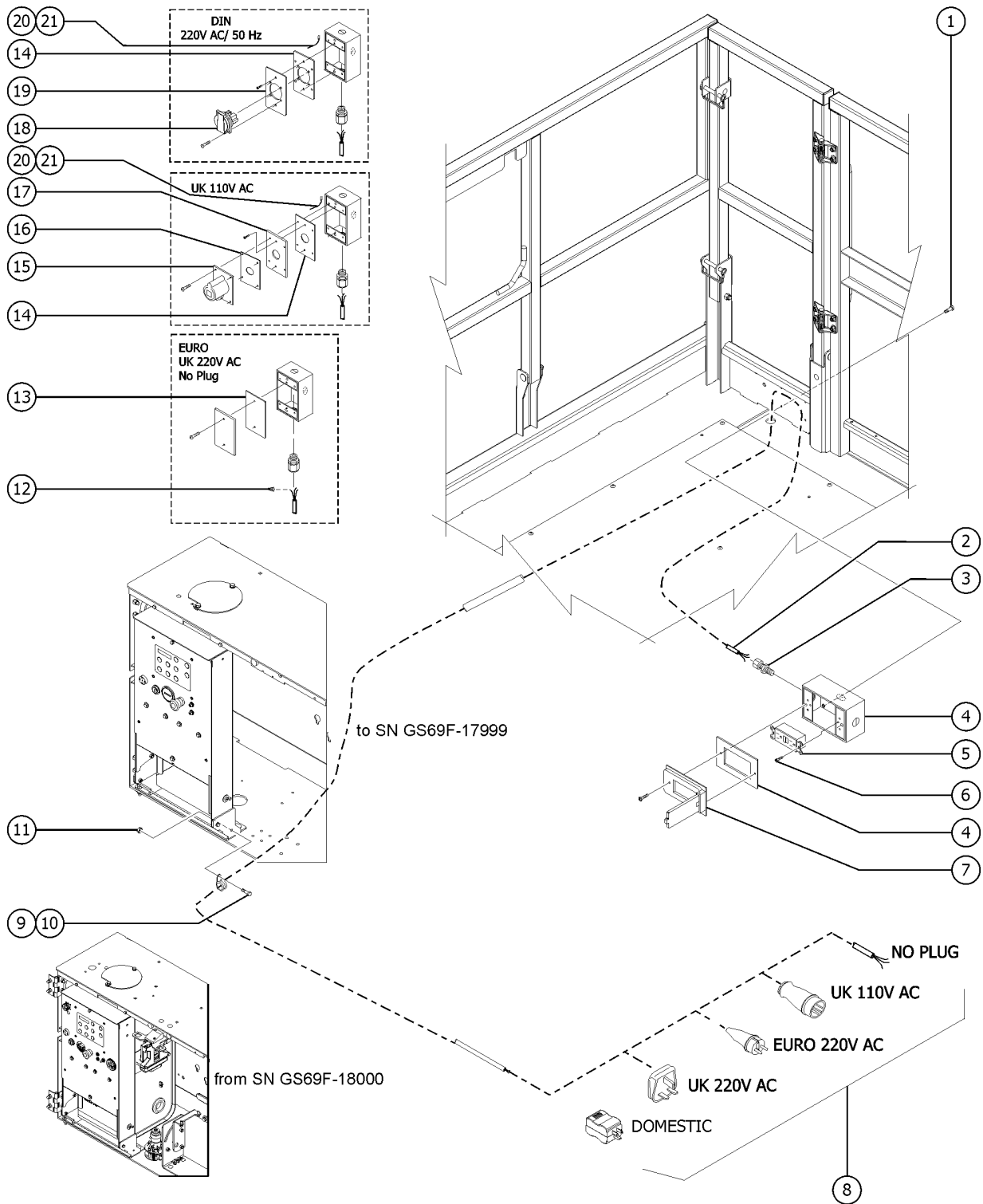
608.1 Power to Platform, GS-2669



<i>Item</i>	<i>Part No.</i>	<i>Description</i>	<i>Qty.</i>
15	T112560GT	ASSEMBLY, SENSOR, PROX, CONTACT ALARM	
15-	1262911GT	SLEEVE, CABLE-END, 14AWG, 2.5MM not included in T112560GT	2
15-	1312776GT	HOLDER, SENSOR not included in T112560GT	1
16	66356GT	GASKET, UK RECEPTACLE	1
17	33629GT	PLATE,UK POWER TO PLATFORM	1
18	66353GT	NUT,1/4-20,8,ZAG	1
19	96236GT	PLATE,AC ADAPTER,DIN/UK***	1
20	55089GT	CONTACT ALARM WIRE ASSY, LARGE from SN 10974	6 in ch es
21	13597GT	GRIP, CABLE from SN 10974	1



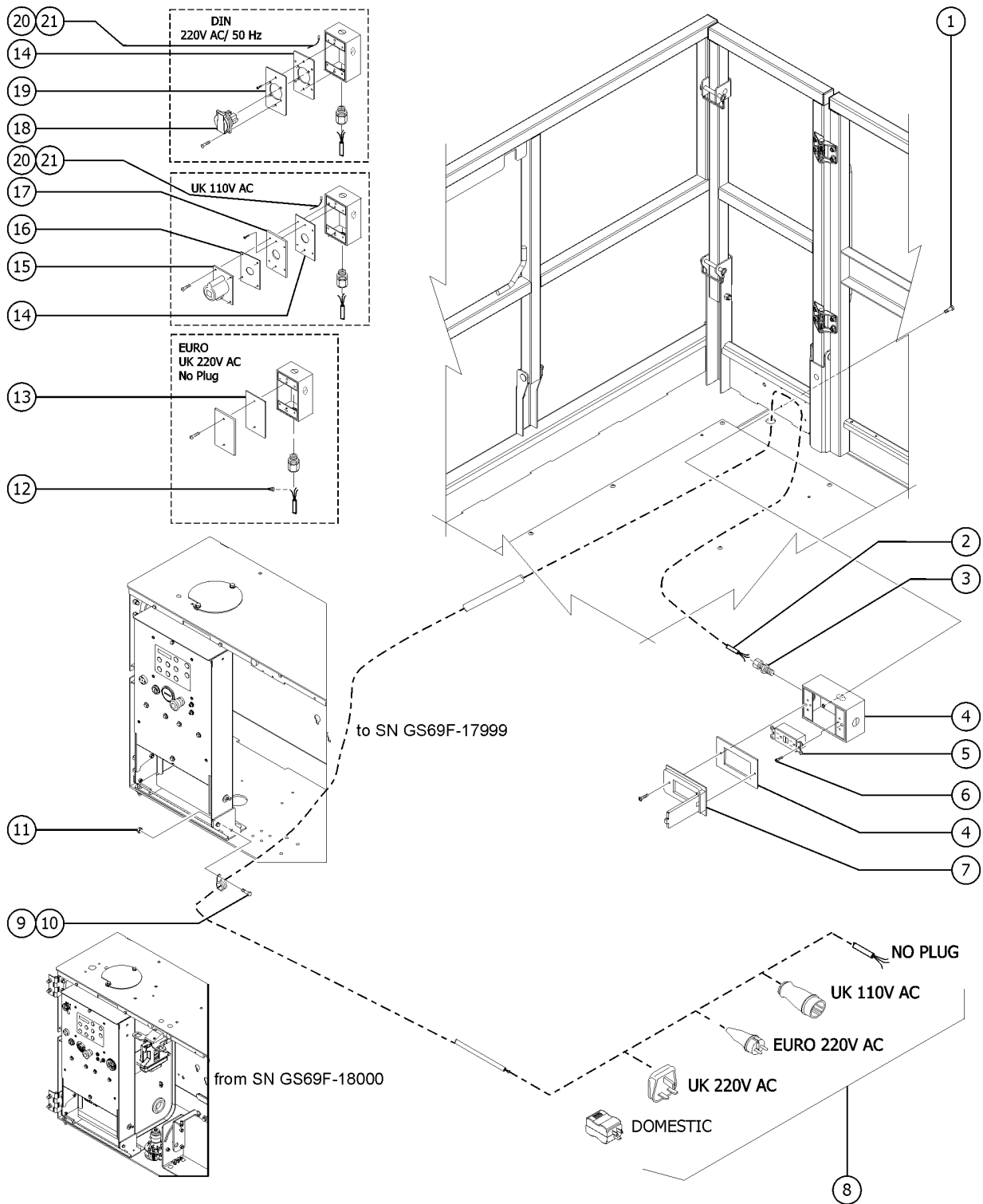
608.2 Power to Platform, GS-3369



Item	Part No.	Description	Qty.
--	33724GT	KIT,GASKET,UK POWER TO PLAT (includes items 14 and 16)	
1	112772GT	SCREW,PHM,8-32X.438 To SNGS69F-19870	
1	57075GT	SCREW, PHIL, 8-32 X .50, SELF TAP From SNGS69F-19871	
2B	43956GT	WIRE CABLE, 14/GA/3 CON. TPE JKT* GS-3369	756 in ch es
3	7056GT	CONN, SQZ, 1/2NPT, 0.38-0.50,SM	
4	10775GT	T-BOX, 2.75 X 4.5 X 2.0** (no longer available, replaced with 1310378GT)	1
4-	1310378GT	SPRING CLIP,10-24,.025-.125X.468,ZAG	1
5	13585GT	OUTLET, 110V (North America)	1
6	7127GT	SCREW,PHILLIPS,PHM,6-32 X .75	
7	45437GT	COVER,GFCI,WEATHERPROOF (North America; includes gasket and mounting fasteners)	1
8	6595GT	PLUG,ELECTRICAL,DOMESTIC	1
8B	1280665GT	PLUG, TYPE F, 230A, 50HZ, 16A, IP44	
8B-	1262911GT	SLEEVE, CABLE-END, 14AWG, 2.5MM not included in 1280665GT	2
8B-	36878GT	TERMINAL,FORK,BLUE (BULK) not included in 1280665GT	1
8C	87193GT	PLUG, AUSTRALIAN	
8D	144161GT	SCREW,HHF,1/4-20X.75,8,ZAG	
8D-	1262911GT	SLEEVE, CABLE-END, 14AWG, 2.5MM not included in 144161GT	3
8E	25388GT	PLUG,FUSED,250V,13AMP,U.K.**	
8E-	1262911GT	SLEEVE, CABLE-END, 14AWG, 2.5MM not included in 25388GT	3
8-		FUSE,13 AMP,220V PLUG (component no longer available) refer to BS1362 BUSS TDC180-13A	
8-		NO PLUG Ref. No Plug - Consult Factory	
9	6090GT	SCREW, HHC, 1/4-20 X .75	
10	6091GT	NUT, NYLOCK, 1/4-20	
11	45470GT	CLAMP,0.31,#5 X 1/4,RUB CUSH	1
12	6626GT	WIRE CAP,ORANGE	3
13	10777GT	COVER, BLANK (includes mounting fasteners)	1
14	66355GT	GASKET, UK & DIN PWR. TO PLAT	1



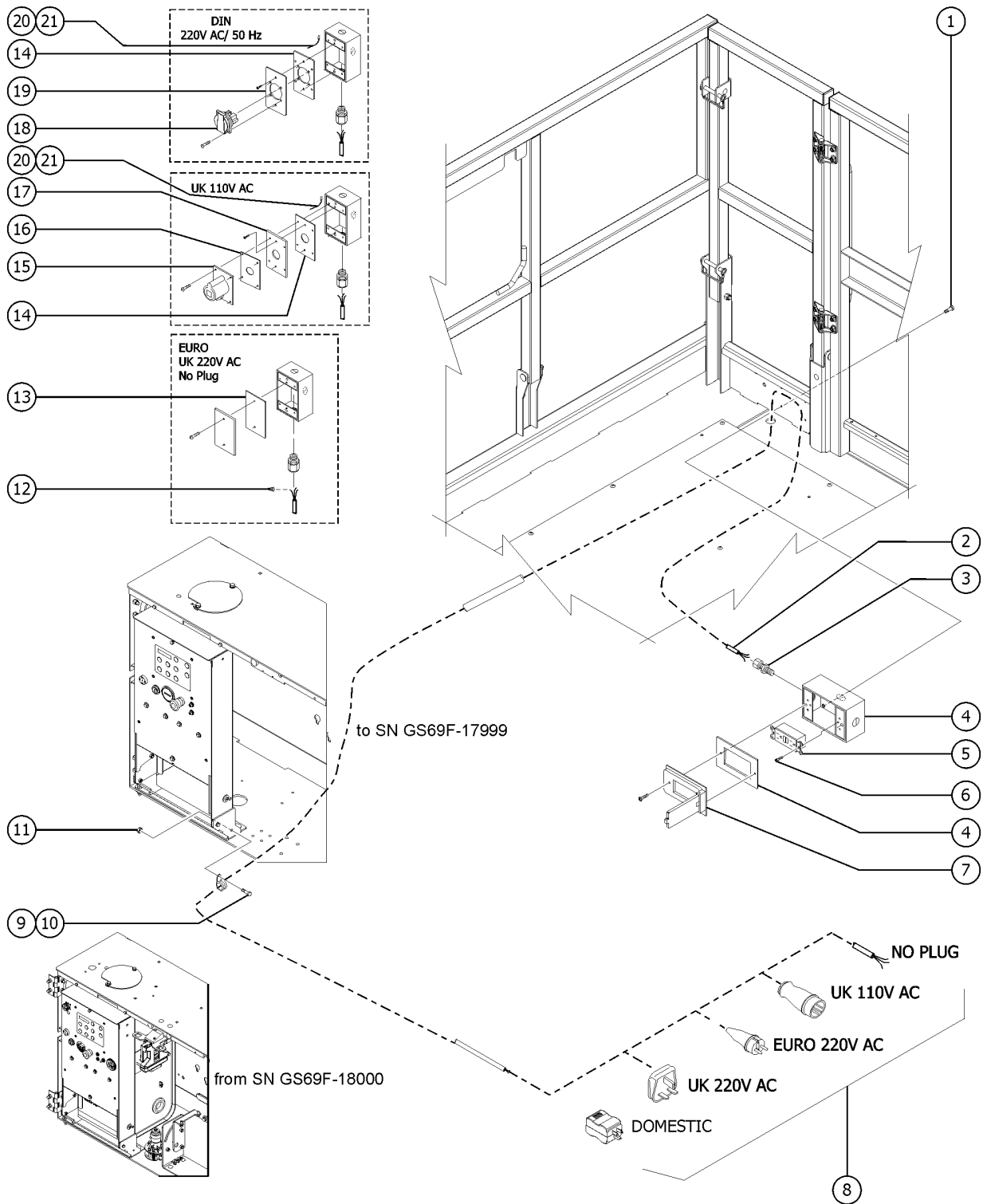
608.2 Power to Platform, GS-3369



<i>Item</i>	<i>Part No.</i>	<i>Description</i>	<i>Qty.</i>
15	T112560GT	ASSEMBLY, SENSOR, PROX, CONTACT ALARM	1
15-	1262911GT	SLEEVE, CABLE-END, 14AWG, 2.5MM	2
		not included in 1262911GT	
15-	1312776GT	HOLDER, SENSOR	1
		not included in 1262911GT	
16	66356GT	GASKET, UK RECEPTACLE	1
17	33629GT	PLATE,UK POWER TO PLATFORM	1
18	66353GT	NUT,1/4-20,8,ZAG	1
19	96236GT	PLATE,AC ADAPTER,DIN/UK***	1



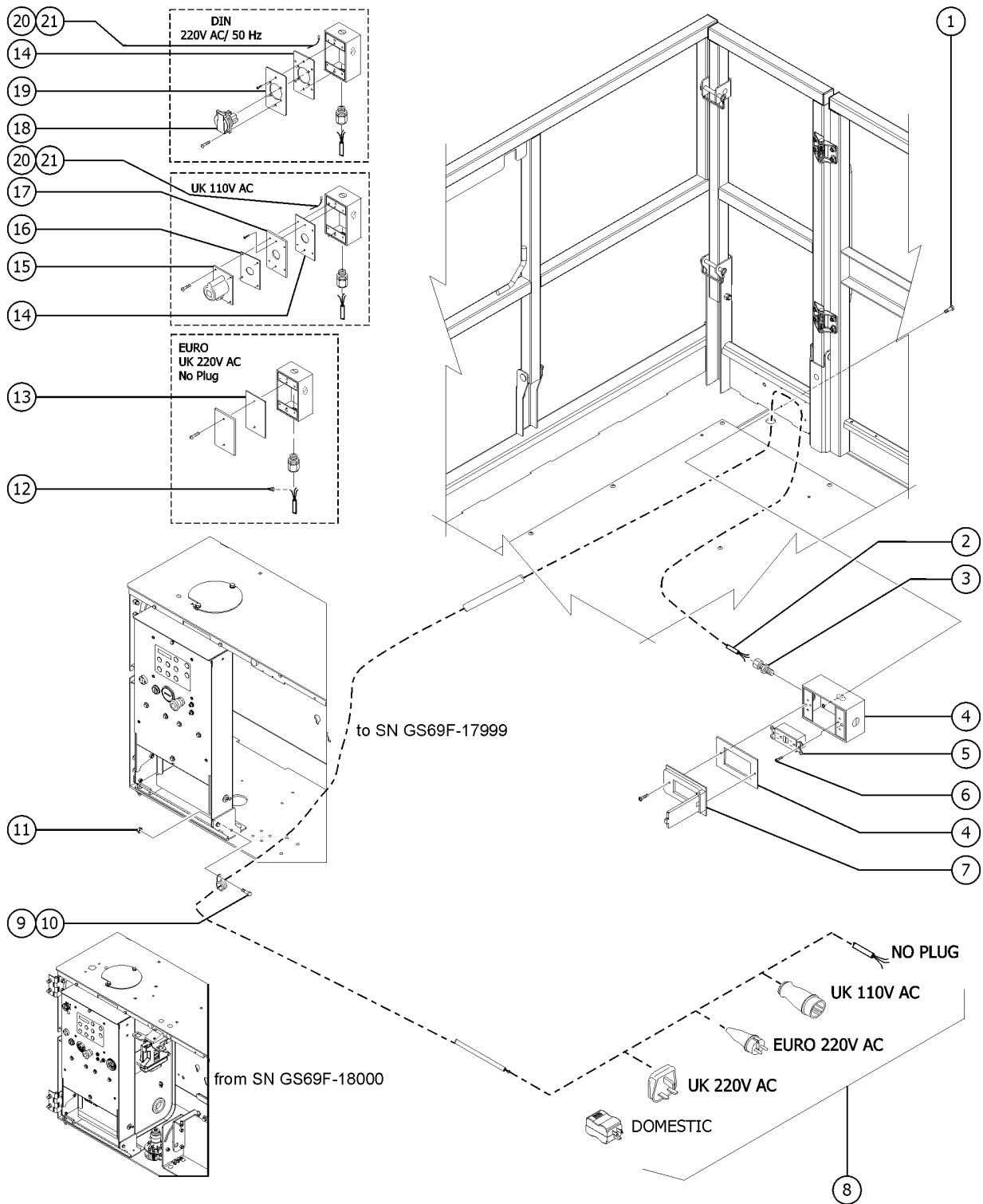
608.3 Power to Platform, GS-4069



Item	Part No.	Description	Qty.
--	33724GT	KIT,GASKET,UK POWER TO PLAT (includes items 14 and 16)	
1	112772GT	SCREW,PHM,8-32X.438 To SNGS69F-19870	
1	57075GT	SCREW, PHIL, 8-32 X .50, SELF TAP From SNGS69F-19871	
2C	43956GT	WIRE CABLE, 14/GA/3 CON. TPE JKT* GS-4069	900 in ch es
3	7056GT	CONN, SQZ, 1/2NPT, 0.38-0.50,SM	
4	10775GT	T-BOX, 2.75 X 4.5 X 2.0**	1
4-	1310378GT	SPRING CLIP,10-24,.025-.125X.468,ZAG	1
5	13585GT	OUTLET, 110V (North America)	1
6	7127GT	SCREW,PHILLIPS,PHM,6-32 X .75	
7	45437GT	COVER,GFCI,WEATHERPROOF (North America; includes gasket and mounting fasteners)	1
8	6595GT	PLUG,ELECTRICAL,DOMESTIC	1
8B	1280665GT	PLUG, TYPE F, 230A, 50HZ, 16A, IP44	
8B-	1262911GT	SLEEVE, CABLE-END, 14AWG, 2.5MM not included in 1280665GT	2
8B-	36878GT	TERMINAL,FORK,BLUE (BULK) not included in 1280665GT	1
8C	87193GT	PLUG, AUSTRALIAN	
8D	144161GT	SCREW,HHF,1/4-20X.75,8,ZAG	
8D-	1262911GT	SLEEVE, CABLE-END, 14AWG, 2.5MM not included in 144161GT	3
8E	25388GT	PLUG,FUSED,250V,13AMP,U.K.**	
8E-	1262911GT	SLEEVE, CABLE-END, 14AWG, 2.5MM not included in 25388GT	
8-		FUSE,13 AMP,220V PLUG (component no longer available) refer to BS1362 BUSS TDC180-13A	
8-		No Plug Ref. No Plug - Consult Factory	
9	6090GT	SCREW, HHC, 1/4-20 X .75	
10	6091GT	NUT, NYLOCK, 1/4-20	
11	45470GT	CLAMP,0.31,#5 X 1/4,RUB CUSH	1
12	6626GT	WIRE CAP,ORANGE	3
13	10777GT	COVER, BLANK (includes mounting fasteners)	1
14	66355GT	GASKET, UK & DIN PWR. TO PLAT	1



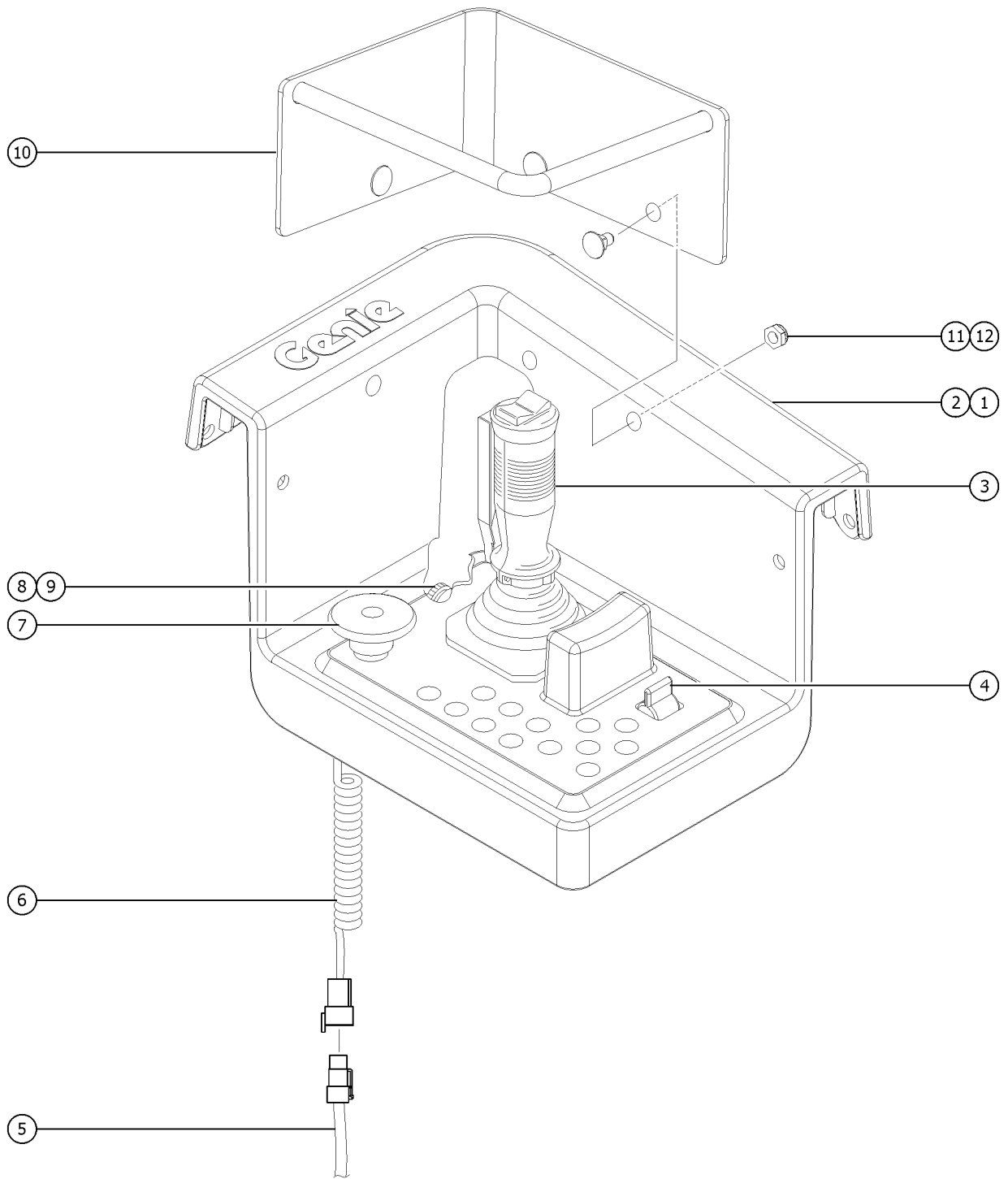
608.3 Power to Platform, GS-4069



<i>Item</i>	<i>Part No.</i>	<i>Description</i>	<i>Qty.</i>
15	T112560GT	ASSEMBLY, SENSOR, PROX, CONTACT ALARM	1
15-	1262911GT	SLEEVE, CABLE-END, 14AWG, 2.5MM	2
		not included in T112560GT	
15-	1312776GT	HOLDER, SENSOR	1
		not included in T112560GT	
16	66356GT	GASKET, UK RECEPTACLE	1
17	33629GT	PLATE,UK POWER TO PLATFORM	1
18	66353GT	NUT,1/4-20,8,ZAG	1
19	96236GT	PLATE,AC ADAPTER,DIN/UK***	1



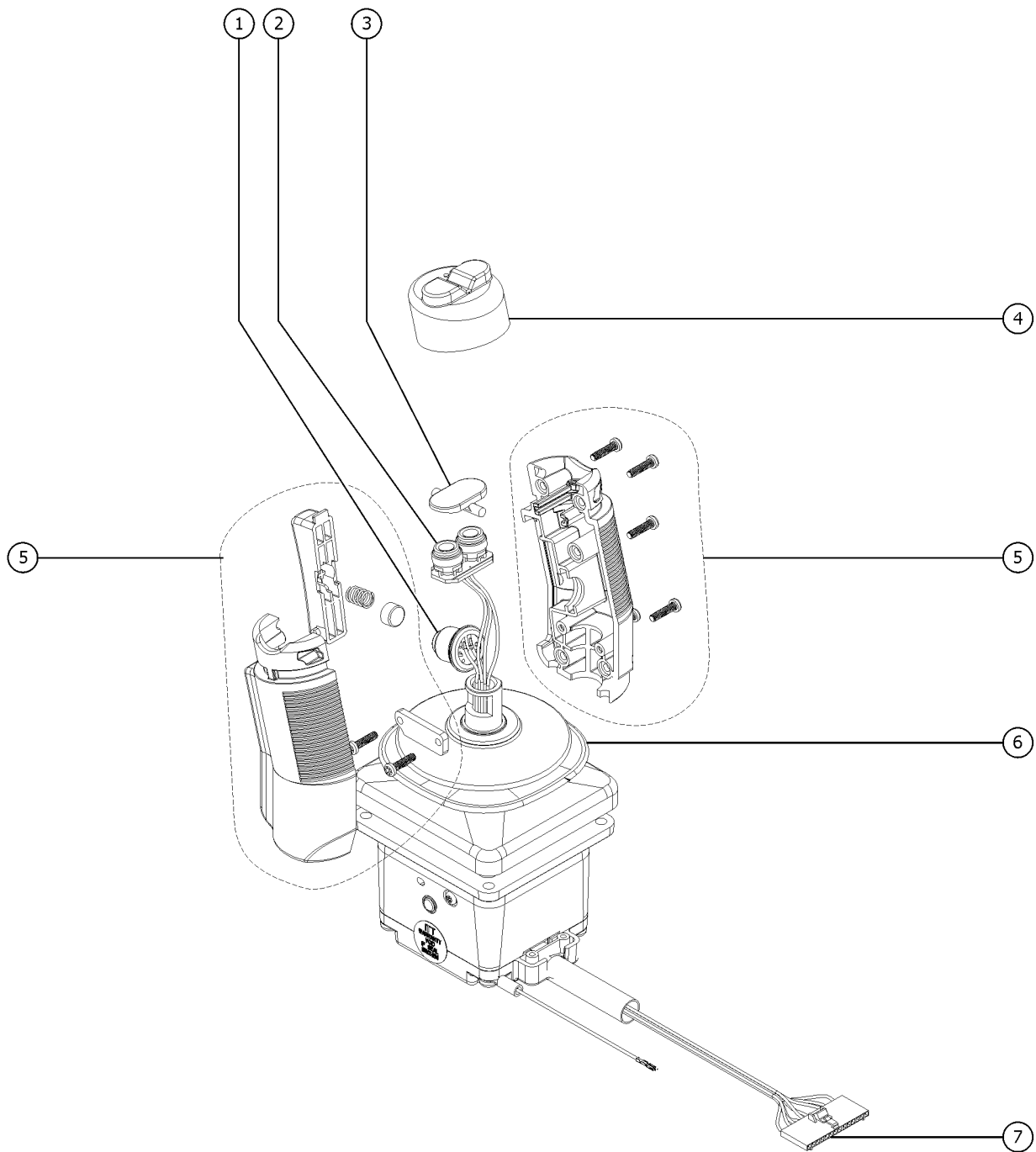
609.1 Platform Controls



Item	Part No.	Description	Qty.
-	231083GT	PLAT.CONTROL BOX.GS69 GEN.2*** Complete	
-	230808GT	DECAL,PLAT CONTROL PANEL GS69	
-	99163GT	PCB,RT PLATFORM CONTROLS***	
-	105662GT	CLEAR SWITCH ACTUATOR	
-	T108044GT	CLEAR SWITCH ACTUATOR(QTY 10)	
1	87566GT	HOUSING,RT PLATFORM CONTROLS** (top)	1
2	87567GT	COVER,RT PLATFORM CONTROLS*** (bottom)	1
3		Ref. Joystick Controller (refer to 609.1)	
4	99164GT	ANALOG ROCKER ASSEMBLY***	1
5		Ref. Control Cable Assembly (refer to 408.1)	
6	144065GT	KIT,GEN 5 COIL CORD (kit, includes connector, coil cord, instructions, dielectric grease and cable tie; see below)	1
7	66812GT	BUTTON,PUSH,RED MUSHROOM HEAD	1
7-	66817GT	E-STOP W/ NC CONTACT	
7-	66818GT	CONTACT,NC	
8	62164GT	ALARM ASSY,12VDC,ITT,4 PIN**** 72326 nut included	1
9	72326GT	NUT - PLASTIC, RING FOR ALARMS	1
10	823341GT	KIT, PLAT CTRL GUARD RT includes items 11 and 12	1
10-	825187GT	WELDMENT, PLT CTRL GUARD	1
11	1260963GT	BOLT,CARRIAGE,1/4-20X.63,5,ZAG	3
12	1277924GT	NUT,NYLOCK FLG,1/4-20,F,ZAG	3



610.1 Platform Controls Joystick

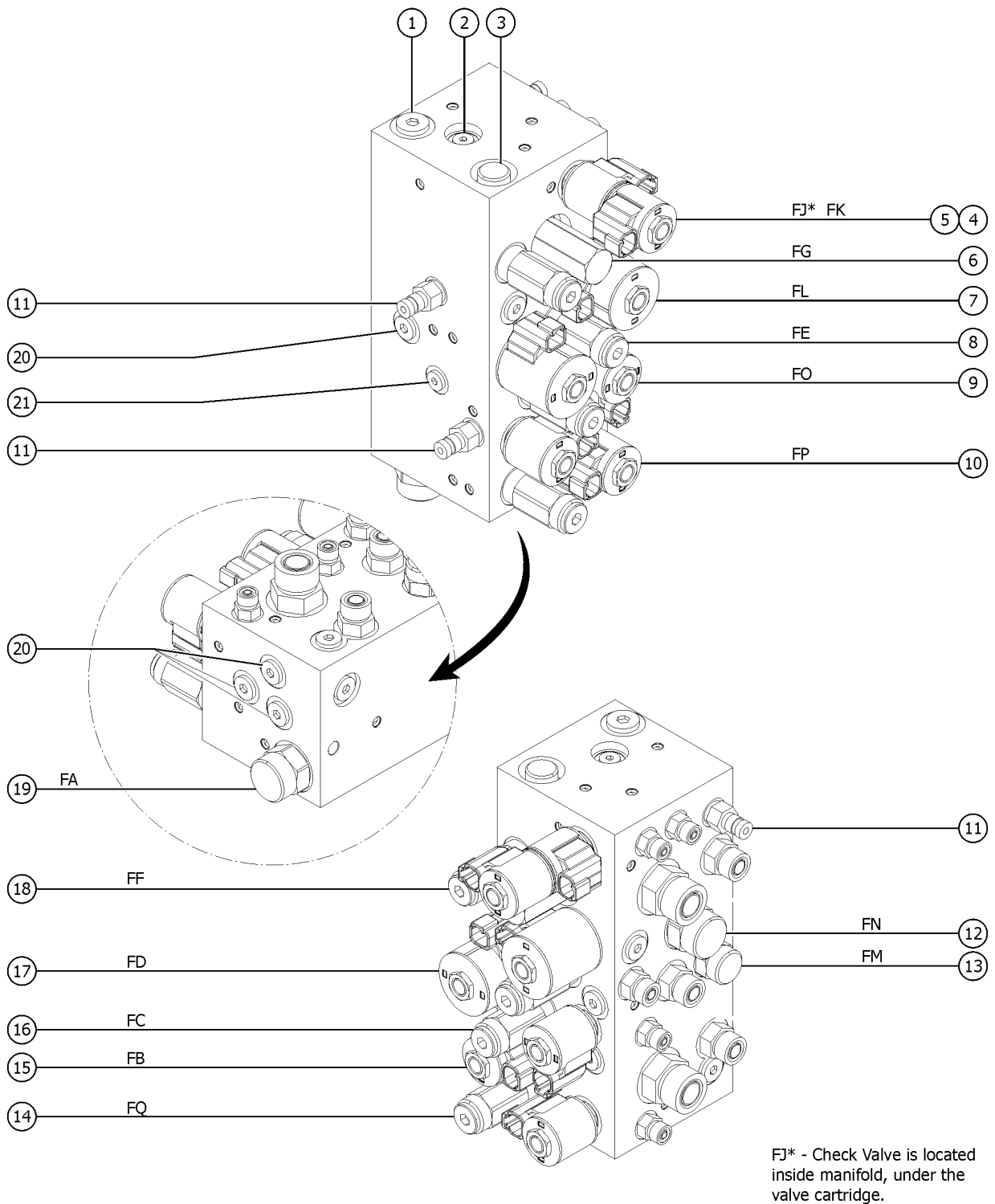


610.1 Platform Controls Joystick

<i>Item</i>	<i>Part No.</i>	<i>Description</i>	<i>Qty.</i>
A-	78903GT	JOYSTICK,SINGL AXIS,HALL,SLAB* OEM Joystick	
B-	78903HGT	JOYSTICK,SINGL AXIS,POT,SLAB aftermarket joystick	
1	105171GT	KIT,JOYSTICK ENABLE SWITCH	1
2	105108GT	STEER SWITCH REPAIR KIT***	1
3	105109GT	TURN SWITCH ACTUATOR,JOYSTICK**	1
4	97015GT	BOOT,THUMB ROCKER***	1
5	97014GT	JOYSTICK HANDLE SET, COMPLETE	1
6	97013GT	BOOT, JOYSTICK~	1
7	105172GT	KIT, PLATFORM PC RECEPT/SOC	1



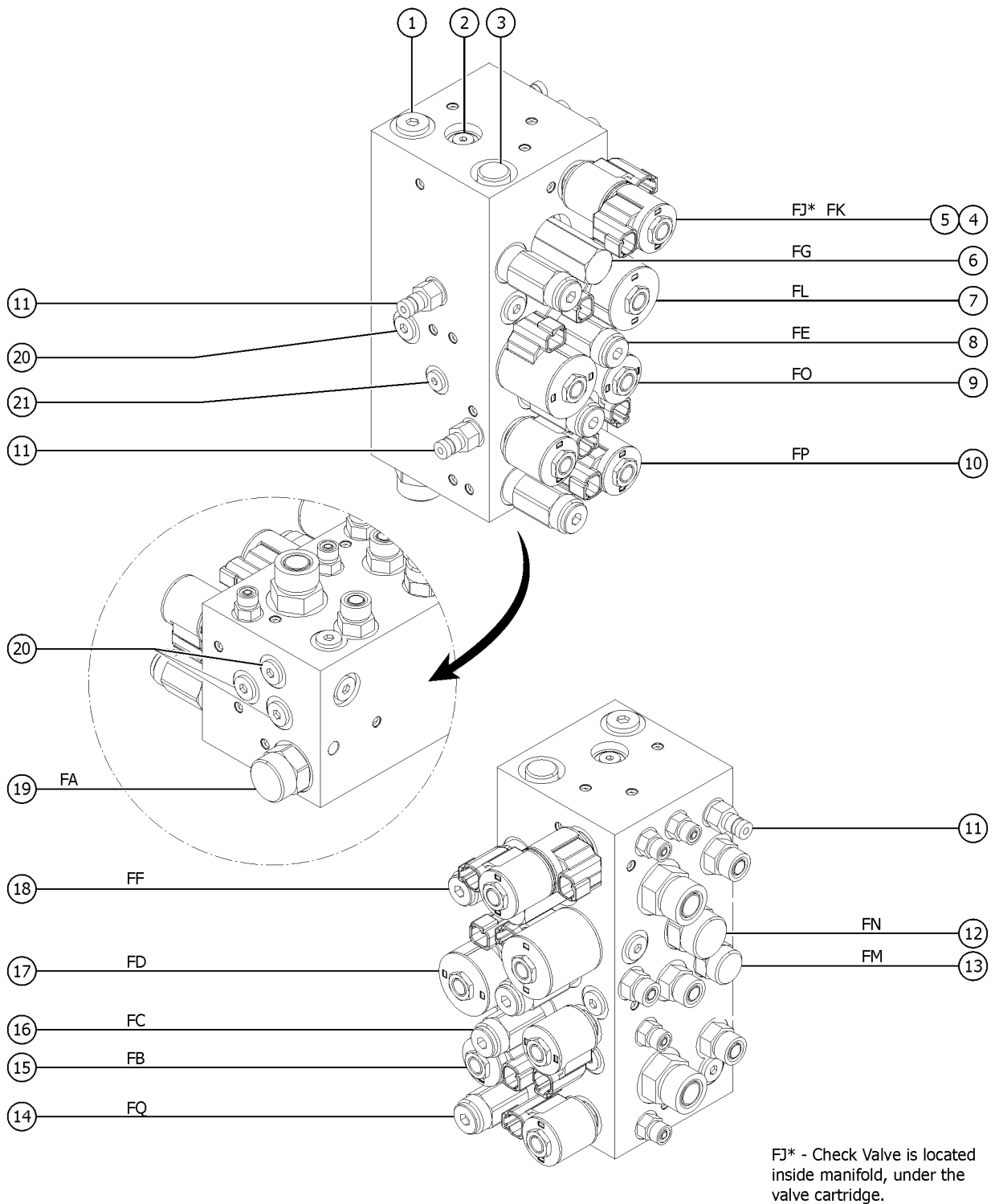
701.1 Function Manifold



Item	Part No.	Description	Qty.
--		Use the letter callouts to cross-reference with the Service Manual.	
--	T107408GT	ASSY,FUNCTION MANIFOLD,GS69 (manifold, complete)	
--	49612GT	O-RING KIT (ORFS FITTINGS)	
--	49613GT	PLUG AND CAP KIT-SERVICE,ORFS*	
1	234613GT	PLUG, PORT SAE #8 HEX SOCKET	1
2	52907GT	VALVE-CHECK, #4 SAE, 5 PSI* (FH, Differential sensing circuit)	1
2-	62341GT	SEAL KIT,52907,SIZE 4, 2 WAY	
3	234598GT	REGULATOR, FLOW 2GPM use until exhausted	1
3-	44228GT	SEAL KIT, VALVE	
3B	62346GT	VALVE,FLOW REGULATOR, 2.0 GPM* (FI, Controls flow to steer circuit), (replaces 234598GT)	1
4	234600GT	VALVE, SOLENOID, 5W-3P (FK, Steer left / right)	1
4-	230983GT	VITON SEAL KIT, VALVE	
4-	44174GT	NUT-COIL SHORT	
4-	104759GT	COIL,12VDC #8 DTSCH IP69 ECOIL (sold separately)	
4-	97372GT	SPACER, COIL	
5	234599GT	VALVE, CHECK, DROP IN (FJ, Steer circuit)	1
6	234602GT	VALVE, DIRECTIONAL, P-COMP (FG, Proportional valve circuit)	
6-	234601GT	KIT, SEAL	
7	234603GT	VALVE, ELEC-PROP, 2W NC (FL, Lift / Drive circuit)	
7-	44224GT	SEAL KIT, VALVE	
7-	44174GT	NUT-COIL SHORT	
7-	231092GT	COIL,10VDC #10 DTSCH NO DIODE (sold separately)	
8	52374GT	VALVE,RELIEF,3000PSI,GS68PUMP1 (FE, Lift circuit)	
8-	44227GT	SEAL KIT, VALVE	
9	62815GT	VALVE,SOLENOID,2POS 3 WAY*** (FO, Oscillate right)	1
9-	52371GT	SEAL KIT, VALVE	
9-	44174GT	NUT-COIL SHORT	
9-	104759GT	COIL,12VDC #8 DTSCH IP69 ECOIL (sold separately)	



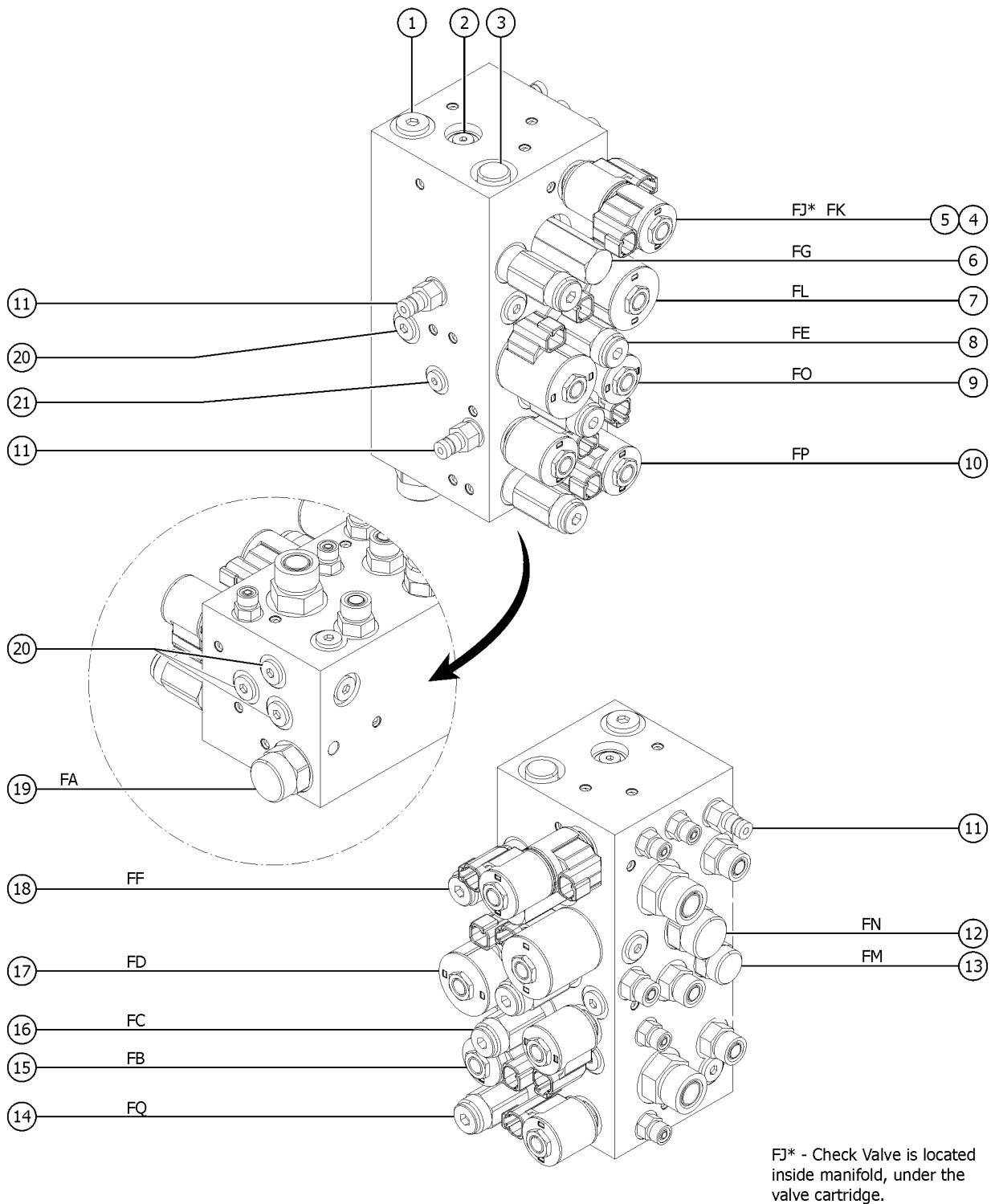
701.1 Function Manifold



Item	Part No.	Description	Qty.
10	62815GT	VALVE,SOLENOID,2POS 3 WAY*** (FP, Oscillate left)	1
10-	52371GT	SEAL KIT, VALVE	
10-	44174GT	NUT-COIL SHORT	
10-	104759GT	COIL,12VDC #8 DTSCH IP69 ECOIL (sold separately)	
11	48997GT	NIPPLE,DIAGNOSTIC,#4 (testing port)	
11-	20224GT	DIAGNOSTIC FEMALE Q-DSCNT (pressure guage not included)	
11-	48880GT	CAP,DIAGNOSTIC NIPPLE	
12	234605GT	VALVE, FLOW CONTROL, P-COMP (FN, Lift / Drive Circuit)	1
12-	234604GT	KIT, SEAL	
13	234606GT	REGULATOR, FLOW, 6GPM (FM, Meters flow to functions)	1
13-	52378GT	SEAL KIT,SOLENOID(52377)	
14	234607GT	VALVE, PRESS. CNTRL 15GPM (FQ, Oscillate circuit)	1
14-	62337GT	SEAL KIT, VALVE	
15	52902GT	VALVE-SOLENOID,2POS/2WAY (FB, Oscillate float)	1
15-	44228GT	SEAL KIT, VALVE	
15-	44174GT	NUT-COIL SHORT	
15-	104759GT	COIL,12VDC #8 DTSCH IP69 ECOIL (sold separately)	
16	234608GT	VALVE, RELIEF, 3300 PSI (FC, Oscillate circuit)	1
16-	44227GT	SEAL KIT, VALVE	
17	234609GT	VALVE, SOLENOID 3W-2P (FD, Platform up)	1
17-	62337GT	SEAL KIT, VALVE	
17-	44174GT	NUT-COIL SHORT	
17-	231092GT	COIL,10VDC #10 DTSCH NO DIODE (sold separately)	
18	115206GT	RELIEF VALVE (FF, System relief)	1
18-	44224GT	SEAL KIT, VALVE	
19	234610GT	REGULATOR, FLOW, 25GPM (FA, Oscillate circuit)	1
19-	62339GT	SEAL KIT,62329,SIZE 12, 3 WAY	
20	234611GT	PLUG, PORT SAE#6 HX SOCK.	10



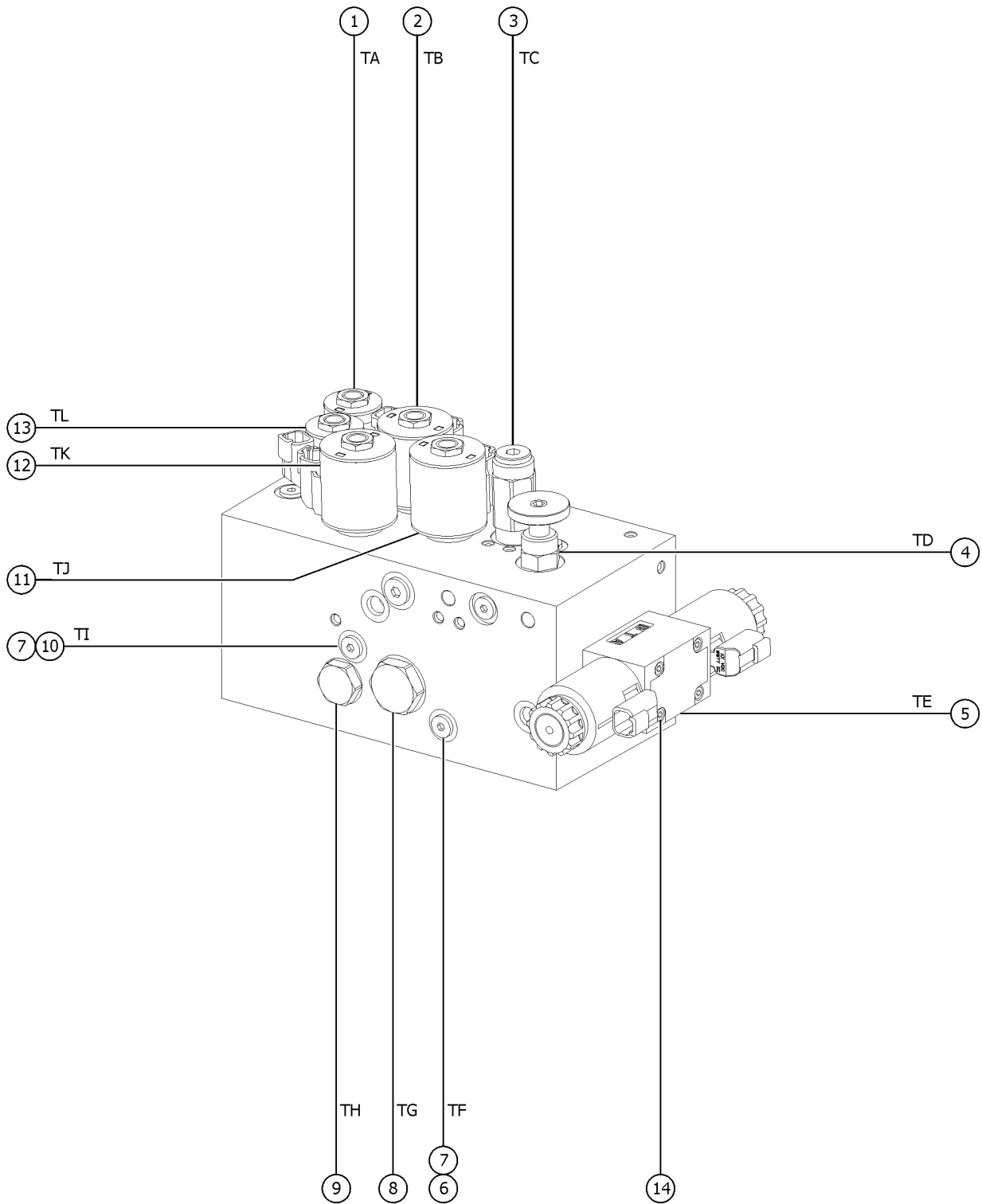
701.1 Function Manifold



<i>Item</i>	<i>Part No.</i>	<i>Description</i>	<i>Qty.</i>
21	97187GT	PLUG	



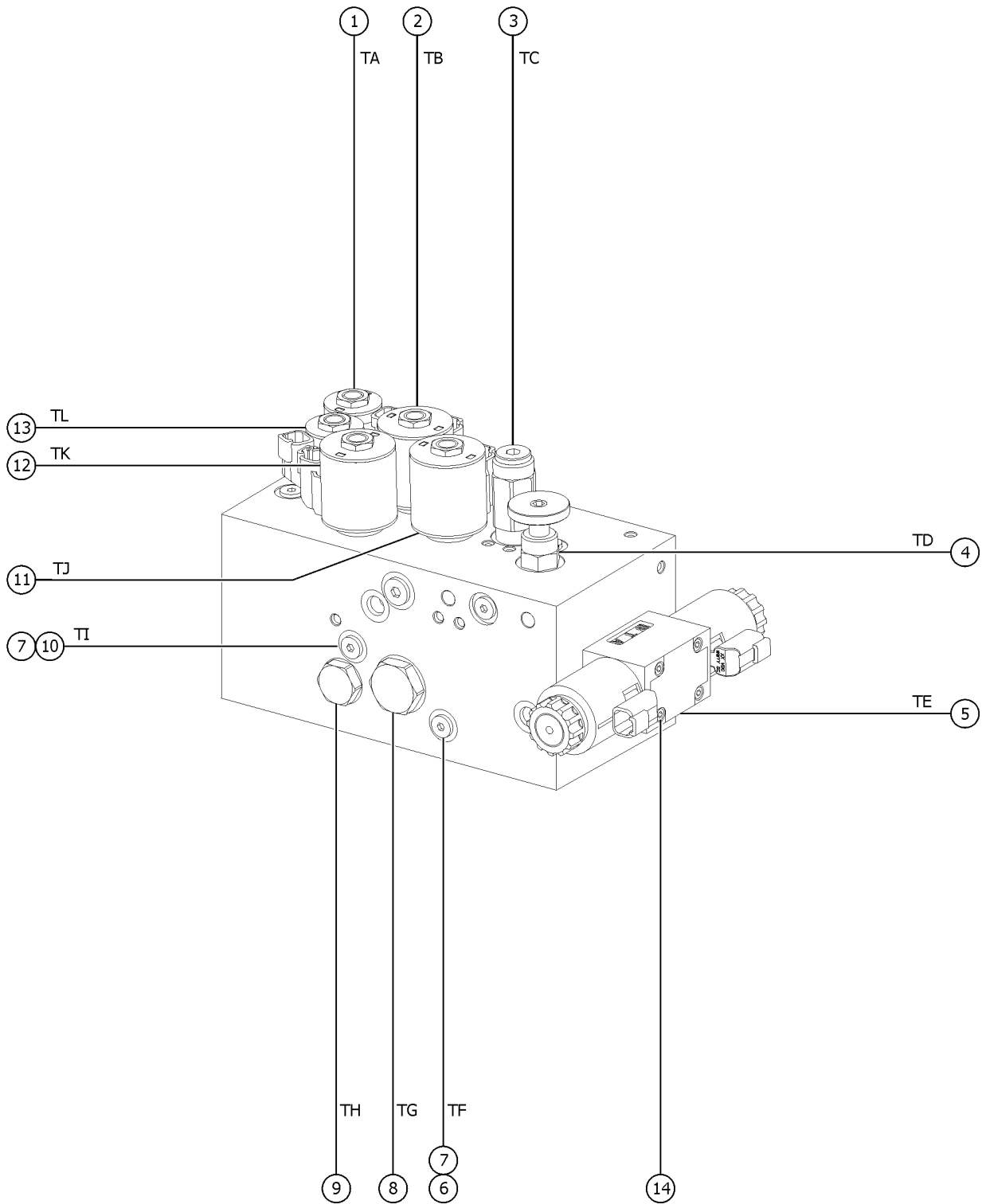
702.1 Traction Manifold, View 1



Item	Part No.	Description	Qty.
--		Use the letter callouts to cross-reference with the Service Manual.	
--	T113085GT	ASSY, TRACTION MANIFOLD, GS69 (manifold, complete)	
1	52897GT	VALVE, SOLENOID, 2POS/3WAY*** (TA, Brake release)	1
1-	52371GT	SEAL KIT, VALVE	
1-	104759GT	COIL, 12VDC #8 DTSCH IP69 ECOIL	
1-	44174GT	NUT-COIL SHORT	
2	234769GT	VALVE, SOLENOID, 4W-2P (TB, Steer end drive motor circuit)	1
2-	44230GT	SEAL KIT-P.N.44169,44172,44171	
2-	104760GT	COIL, 12VDC #10DTSCH IP69 ECOIL	
2-	44174GT	NUT-COIL SHORT	
3	234770GT	VALVE, RELIEF, BI-DIR 8GPM (TC, Drive pressure circuit)	1
3-	52371GT	SEAL KIT, VALVE	
4	234771GT	VALVE, NEEDLE, 10GPM (TD, Enables towing ability)	
4-	44228GT	SEAL KIT, VALVE	
5	97368GT	VLV, SOL, DO3, REXROTH, 3POS 4 WAY (TE, Drive forward / reverse)	1
5-	102395GT	SEAL KIT, REXROTH DO3 VALVE	
5-	104764GT	COIL, 12V D03 ZENER DIODE	
5-	102396GT	NUT-COIL, REXROTH DO3 VALVE	
6	52910GT	ORIFICE PLUG, 0.060 (TF, Equalizes pressure on both sides of flow divider/combiner valve 17)	1
7	97187GT	PLUG	2
8	234773GT	VALVE, FLOW DIV/COMB, 75-25 (TG, Controls flow to flow divider / combiner valves 8 and 17)	1
8-	234772GT	KIT, SEAL	
9	234774GT	VALVE, FLOW DIV/COMB, 50-50, 12GPM (TH, Controls flow to steer end drive motors in forward and reverse)	1
9-	44230GT	SEAL KIT-P.N.44169,44172,44171	
10	52910GT	ORIFICE PLUG, 0.060 (TI, Equalizes pressure on both sides of flow divider/combiner valve 8)	1
11	52377GT	VALVE, SOLENOID, 2POS2WY, NCGS68* (TJ, Allows flow to bypass divider/combiner valve 7 in high drive)	1
11-	52378GT	SEAL KIT, SOLENOID(52377)	
11-	104760GT	COIL, 12VDC #10DTSCH IP69 ECOIL	



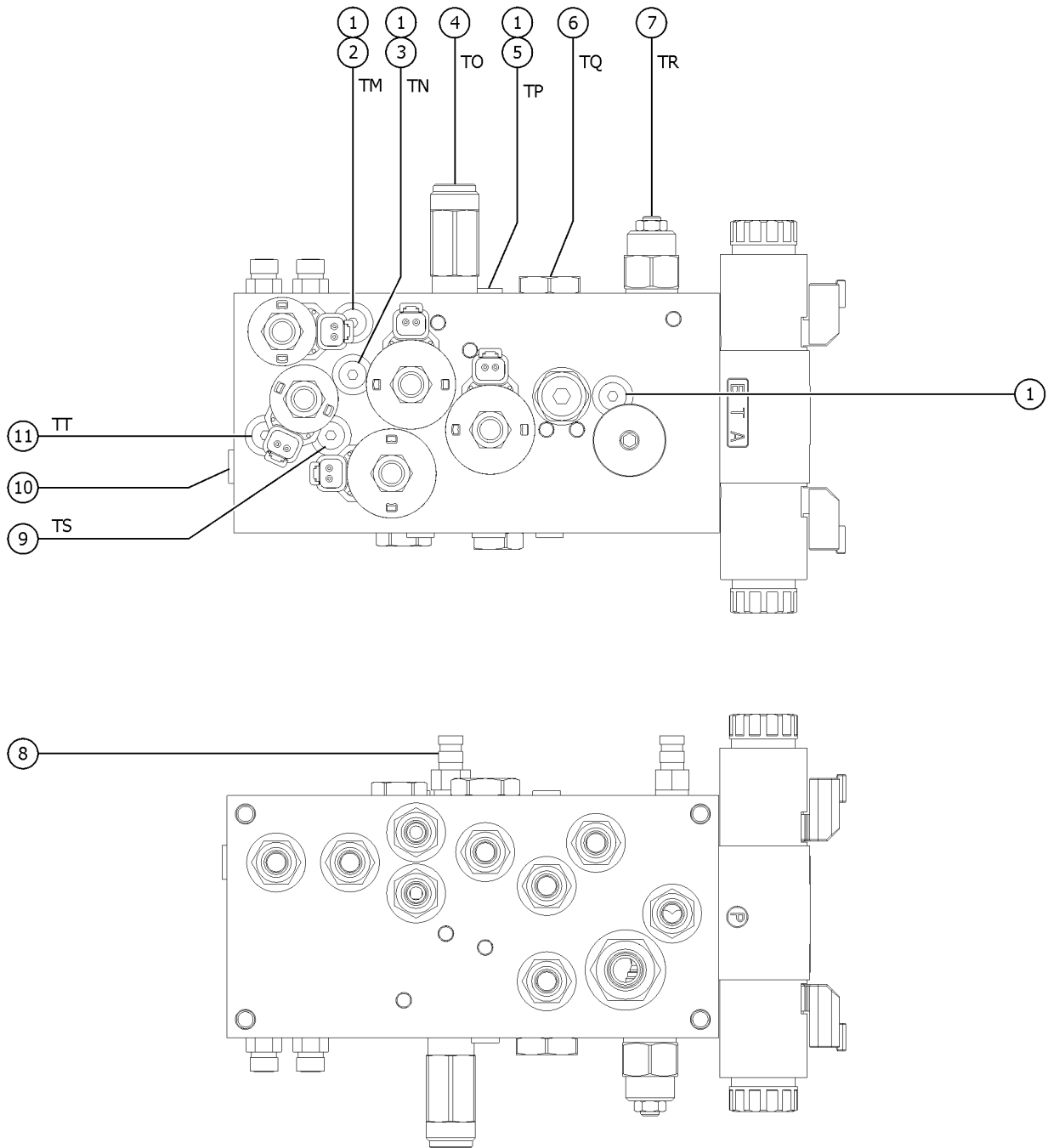
702.1 Traction Manifold, View 1



<i>Item</i>	<i>Part No.</i>	<i>Description</i>	<i>Qty.</i>
11-	44174GT	NUT-COIL SHORT	
12	52377GT	VALVE,SOLENOID,2POS2WY,NCGS68* (TK, Allows flow to loop the steer end motors in high drive)	1
12-	52378GT	SEAL KIT,SOLENOID(52377)	
12-	104760GT	COIL,12VDC #10DTSCH IP69 ECOIL	
12-	44174GT	NUT-COIL SHORT	
13	52897GT	VALVE,SOLENOID, 2POS/3WAY*** (TL, Two speed circuit)	1
13-	52371GT	SEAL KIT, VALVE	
13-	104759GT	COIL,12VDC #8 DTSCH IP69 ECOIL	
13-	44174GT	NUT-COIL SHORT	
14	234777GT	BOLT, D03 MOUNTING	4



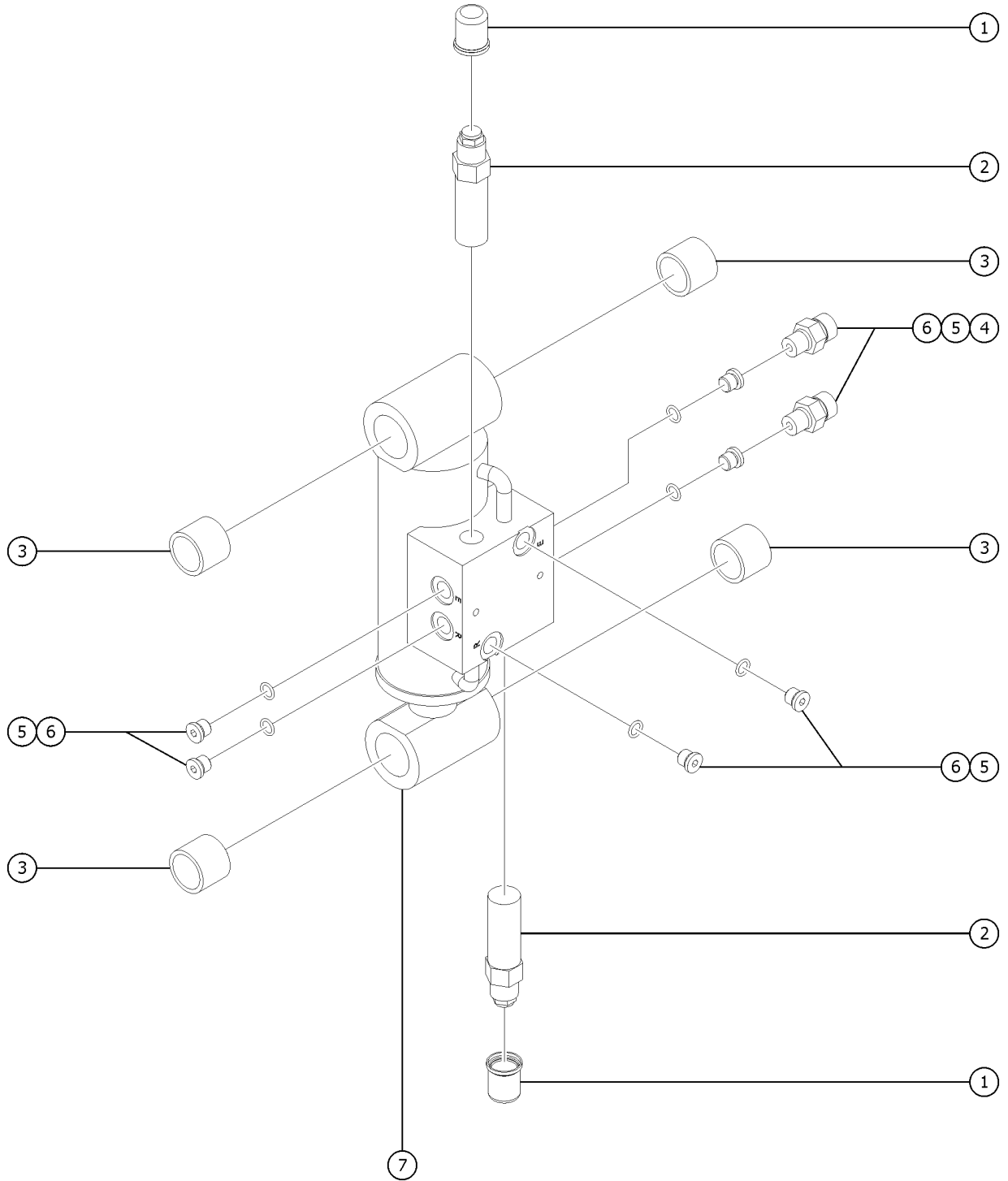
703.1 Traction Manifold, View 2



Item	Part No.	Description	Qty.
-		Use the letter callouts to cross-reference with the Service Manual.	
-		Ref., ASSY, TRACTION MANIFOLD, GS69 (refer to 702.1)	
1	97187GT	PLUG	4
2	101067GT	ORIFICE PLUG, 030, 1/16-27 NPT (TM, Brake release)	1
3	101067GT	ORIFICE PLUG, 030, 1/16-27 NPT (TN, Two-speed circuit)	1
4	234775GT	VALVE, PRESS. REDUCING, 250PSI (TO, Two-speed and brake circuit)	1
4-	105695GT	SEAL KIT	
5	62207GT	ORIFICE PLUG, 0.035 (TP, Equalizes pressure on both sides of flow divider/combiner valve 7)	1
6	234776GT	VALVE, FLOW DIV/COMB, 50-50, 24GPM (TQ, Controls flow to non-steer end drive motors in forward and reverse)	1
6-	234772GT	KIT, SEAL	
7	229079GT	VALVE, CV 4.5:1, 3500 PSI (TR, Traction relief)	1
7-	102685GT	SEAL KIT, SUN T-2A CP VALVE	
8	48997GT	NIPPLE, DIAGNOSTIC, #4 (testing port)	1
9	52907GT	VALVE-CHECK, #4 SAE, 5 PSI* (TS, Two-speed circuit)	1
9-	62341GT	SEAL KIT, 52907, SIZE 4, 2 WAY	
10	234611GT	PLUG, PORT SAE#6 HX SOCK.	1
11	52907GT	VALVE-CHECK, #4 SAE, 5 PSI* (TT, Brake circuit)	1
11-	62341GT	SEAL KIT, 52907, SIZE 4, 2 WAY	



704.1 Oscillate Cylinders, All Models

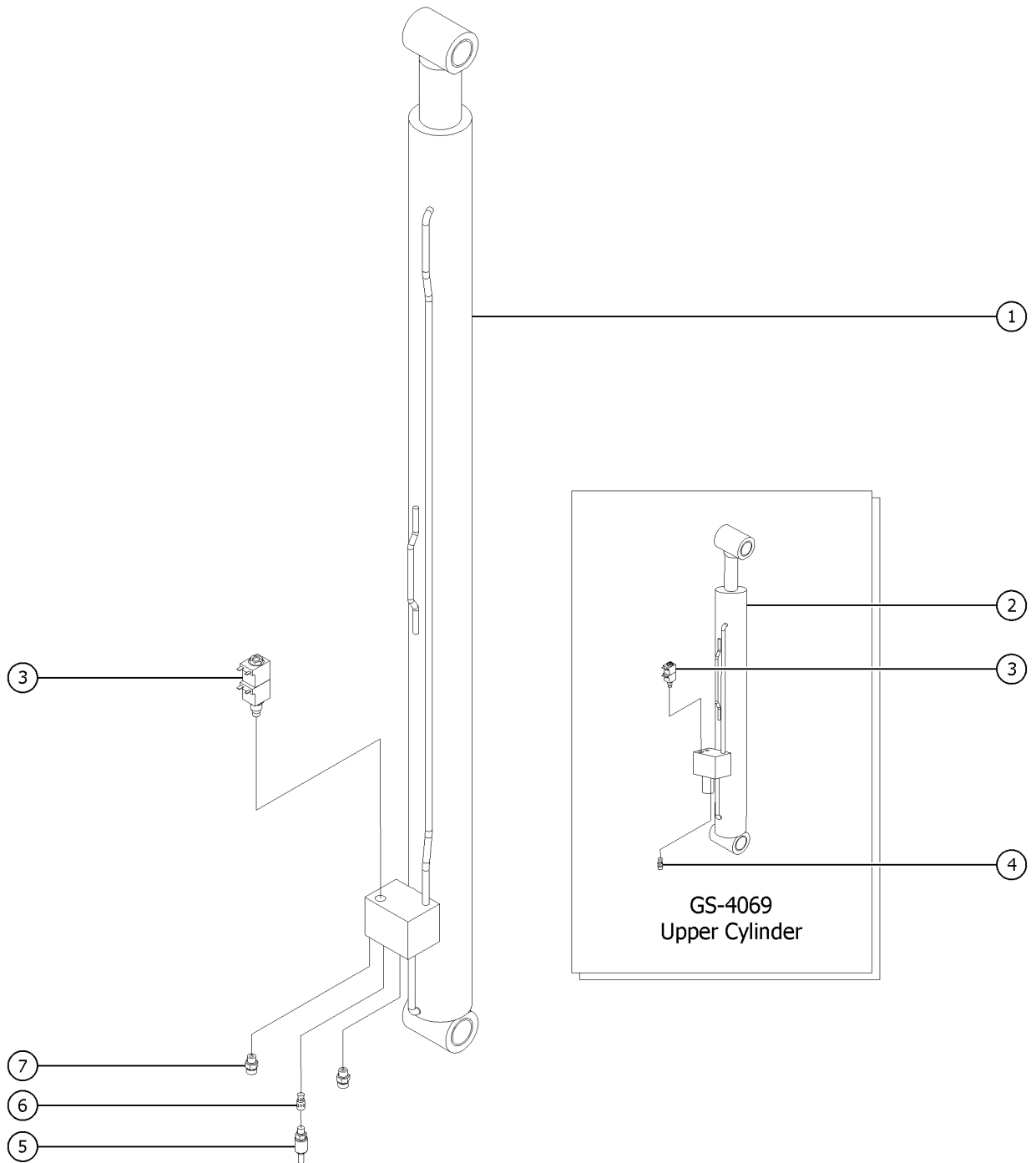


704.1 Oscillate Cylinders, All Models

Item	Part No.	Description	Qty.
1	128085GT	CAP,SERIES 1 CB VALVE,SINGLE**	2
2	115402GT	VALVE,COUNTERBALNCE,3800 PSI	2
3	227492GT	BEARING,1.00IDX1.25ODX1.00L	4
4	48905GT	CONNECTOR, 520120-4	2
5	39882GT	PLUG, HEX SOCKET, 090109B-4	6
6	53500GT	O-RING-4	6
7	131621GT	CYLINDER,OSCILATING,GS69 Not available as a service part, please order 1298672, Identifier: PN 131621 stamped on cylinder manifold, (to SN GS69F-17644)	1
7-	226380GT	SEAL KIT,226380 Available as a service part, Identifier: PN 131621 stamped on cylinder manifold	
7B	1298672GT	CYLINDER,OSCILLATE,GS69 Available as a service part, Identifier: MFG.CODE-YEAR-MONTH-1298672 stamped on rod side of barrel, (from SN GS69F-17645)	1
7B-	1298673GT	SEAL KIT,OSCILLATE,GS69 Available as a service part, Identifier: MFG.CODE-YEAR-MONTH-1298672 stamped on rod side of barrel	



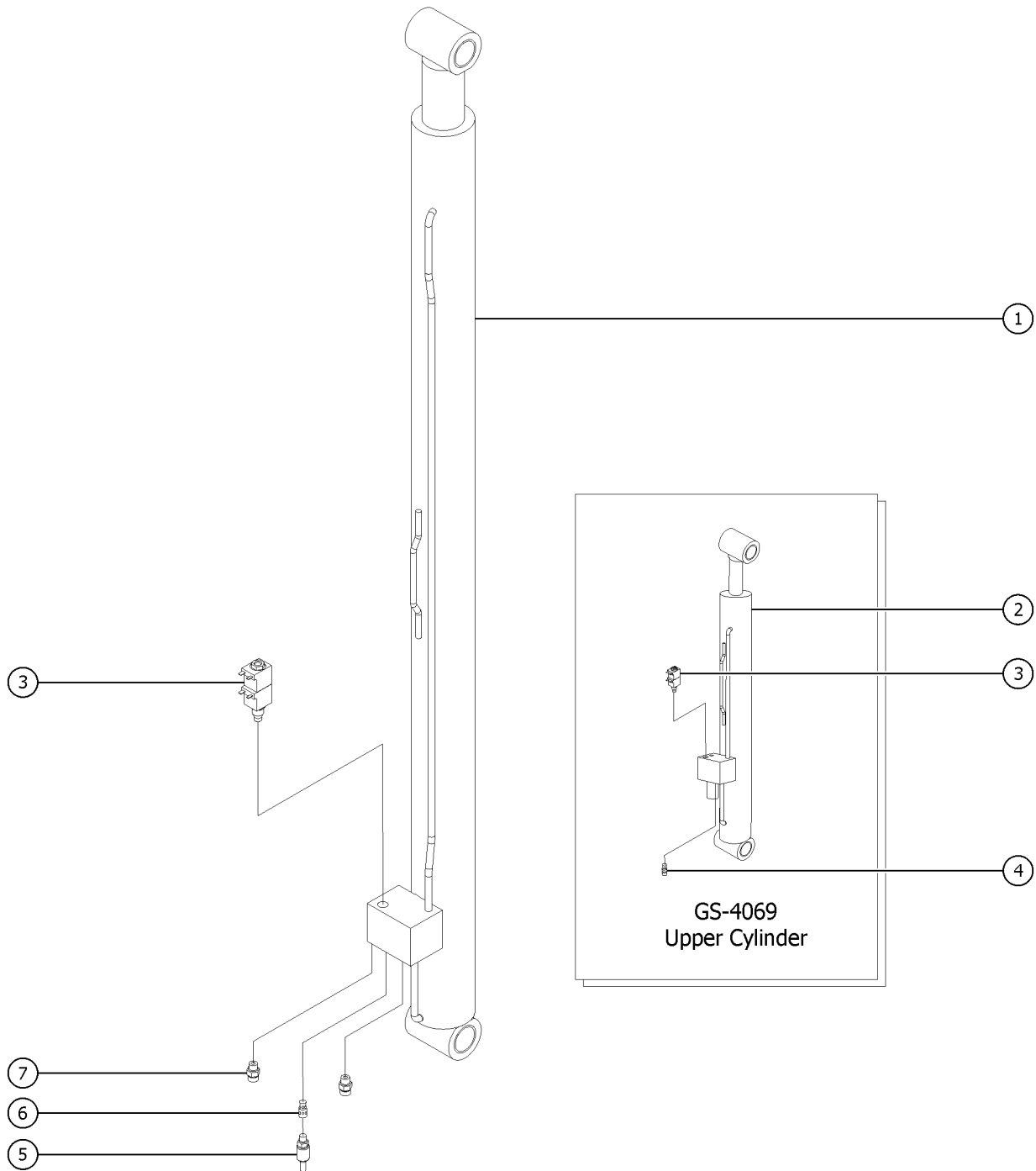
705.1 Lift Cylinders, GS-2669, GS-3369



Item	Part No.	Description	Qty.
1	131920GT	CYLINDER, LIFT, LOWER, GS69	1
1-	226378GT	SEAL KIT,LIFT,LOWER (131920) for 131920	
1-	119620GT	BEARING,1.75IDX2.00ODX1.50L for 131920	4
3	1265332GT	VALVE, NC PROP POPPET, 12VDC (valve assy w/12V coil)	
3-	104759GT	COIL,12VDC #8 DTSCH IP69 ECOIL	
3-	1265367GT	VALVE, NC PROPORTIONAL POPPET for 1265332 (valve only)	
3-	44227GT	SEAL KIT, VALVE	
3-	1306744GT	NUT, COIL, ZINC PLATING	
4	55558GT	ORIFICE LONG M. 0.37*** CE/AUS only	1
5	104935GT	SWITCH, PRESSURE,0-3000PSI ADJ (refer to 408.1 for harness assembly) (to SN GS69F-18192)	1
5B	1306264GT	SENSOR,PRESSURE,3625,P92S,DT04 from SN GS69F-18193	1
6	230858GT	ORIFICE, LONG, .086"	
6B	214817GT	ORIFICE, LONG, .076" CE/AUS only	
7	48916GT	CONN, 520120-6	1



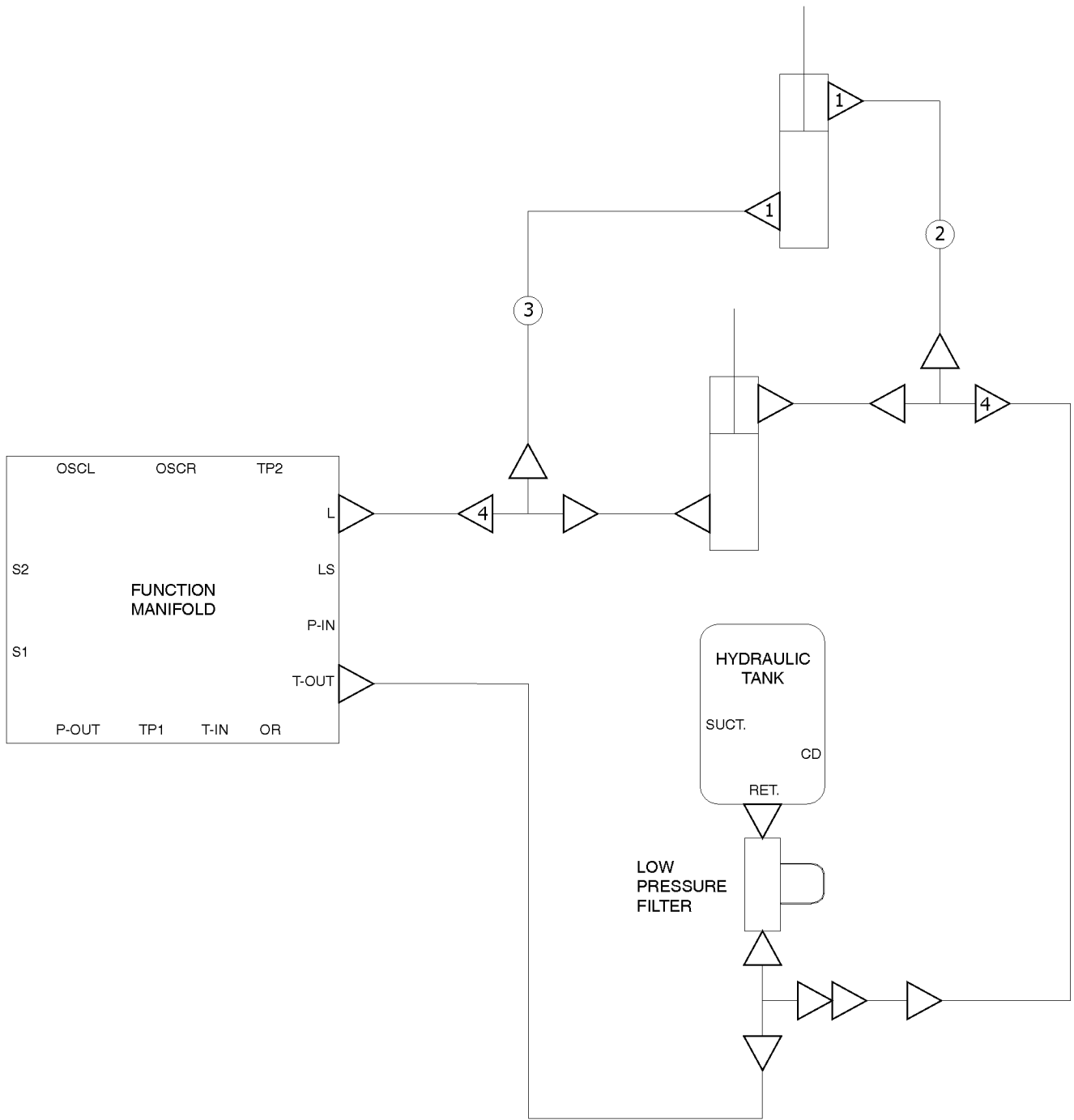
705.2 Lift Cylinders, GS-4069



Item	Part No.	Description	Qty.
1	131920GT	CYLINDER, LIFT, LOWER, GS69	1
1-	226378GT	SEAL KIT,LIFT,LOWER (131920) for 131920	
1-	119620GT	BEARING,1.75IDX2.00ODX1.50L for 131920	4
2	131921GT	CYLINDER,LIFT,UPPER,4069 GS-4069 RT	1
2-	226379GT	SEAL KIT,LIFT,UPPER (131921) (for 131921)	
2-		VALVE, RELIEF, 2500PSI (for 131921) (no longer available (contact customer service))	
2-	1309602GT	VALVE, RELIEF, 2500PSI	1
2-	44227GT	SEAL KIT, VALVE for 97130	
3	1265332GT	VALVE, NC PROP POPPET, 12VDC (valve assy w/single 12V coil)	
3-	1265367GT	VALVE, NC PROPORTIONAL POPPET for 1265332 (valve only)	
3-	104759GT	COIL,12VDC #8 DTSCH IP69 ECOIL for 1265332	
3-	1306744GT	NUT, COIL, ZINC PLATING for 1265332	
3-	44227GT	SEAL KIT, VALVE for 1265332	
4	55559GT	ORIFICE LONG M.0.046** GS-4069 RT (ANSI to SN GS69F-17999)	1
4B	55558GT	ORIFICE LONG M. 0.37*** CE/AUS (ANSI from SN GS69F-18000)	1
5	104935GT	SWITCH, PRESSURE,0-3000PSI ADJ (refer to 408.1 for harness assembly) (to SN GS69F-17999)	1
5B	1306264GT	SENSOR,PRESSURE,3625,P92S,DT04 from SN GS69F-18000	
6	230858GT	ORIFICE, LONG, .086" ANSI to SN GS69F-17999	
6B	214817GT	ORIFICE, LONG, .076" CE/AUS (ANSI from SN GS69F-18000)	
7	48916GT	CONN, 520120-6	1



706.1 Hydraulic Hoses and Fittings, Lift Cylinder, GS-4069 RT



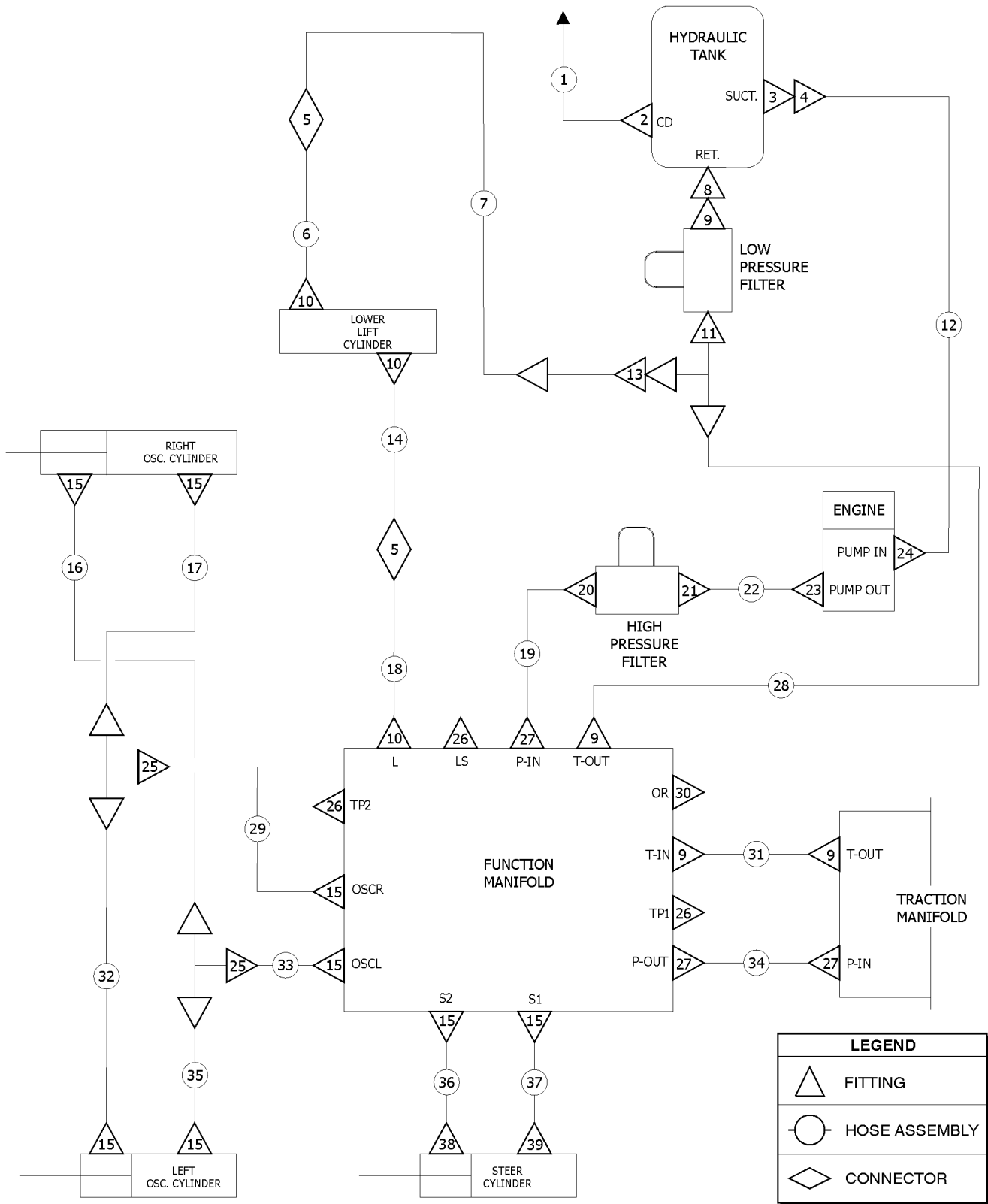
LEGEND	
	FITTING
	HOSE ASSEMBLY
	CONNECTOR

706.1 Hydraulic Hoses and Fittings, Lift Cylinder, GS-4069 RT

<i>Item</i>	<i>Part No.</i>	<i>Description</i>	<i>Qty.</i>
1	48916GT	CONN, 520120-6	2
2	227479GT	HOSE ASSY,RET(ULCYL)-RET(TEE) (components: 48812, 48816, 48753 @ 410 inches)	1
3	227478GT	HOSE ASSY,PRESS(TEE)-PRESS(ULC (components: 48812, 48816, 56776 @ 410 inches)	1
4	227614GT	CONN,520120-20	2



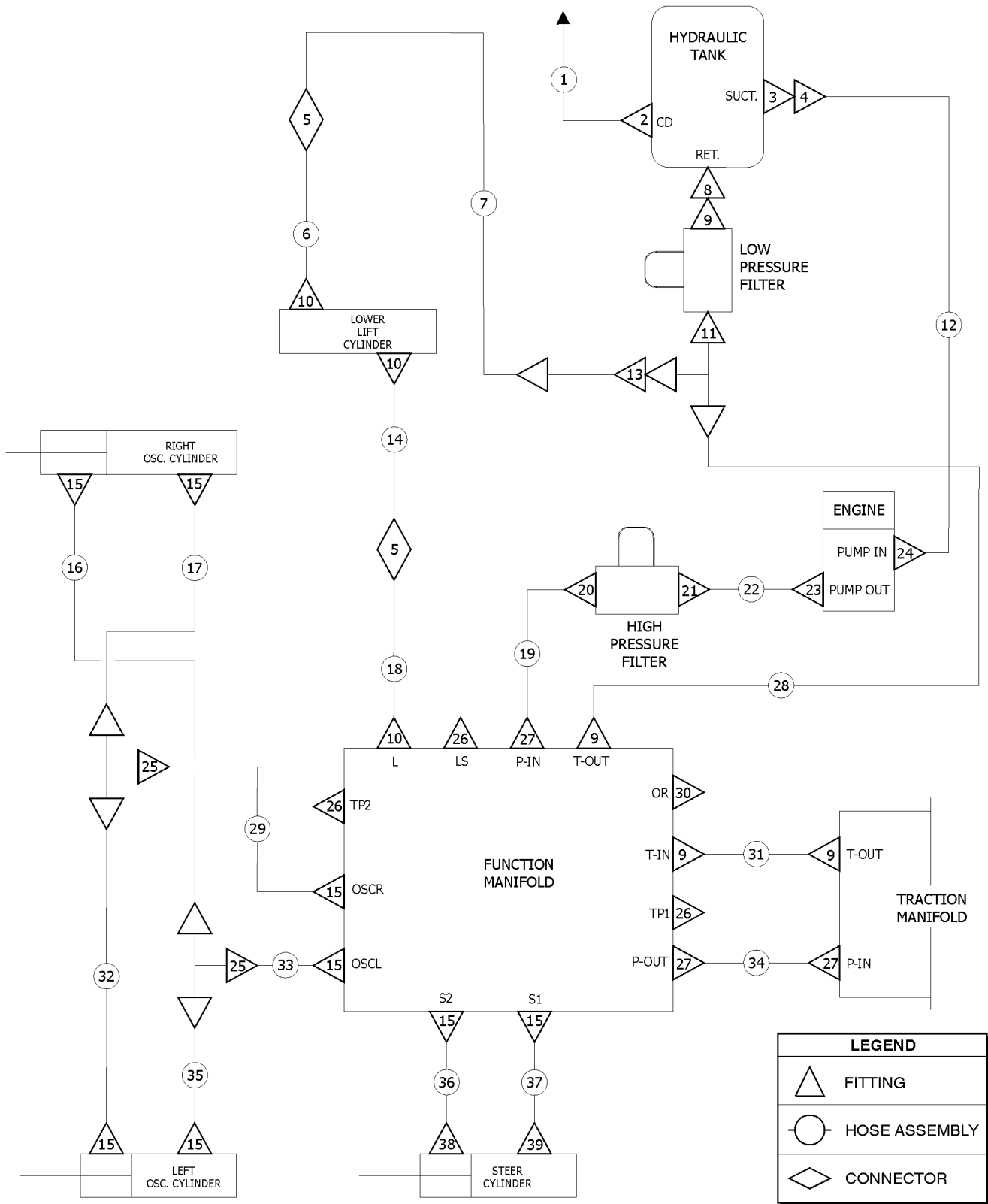
707.1 Hydraulic Hoses and Fittings, View 1



Item	Part No.	Description	Qty.
1	227462GT	HOSE ASSY, CD(TEE)-CD(TANK) (components: 77949, 77949, 75631 @ 72 inches)	1
2	48915GT	ELBOW,90D,520220-6	1
3	147419GT	KIT,STRAINER REPLACEMENT	1
4	229625GT	CONN, LONG, ORFS-ORB, -16-16	1
5	227613GT	UNION,BULKHEAD,ORFS,-6-6	2
6	227473GT	HOSE ASSY,RET(LLCYL)-RET(TEE) (components: 48812, 48812, 48753 @ 128 inches)	1
7	227474GT	HOSE ASSY,RET(TEE)-TANK (components: 48812, 48812, 48753 @ 75 inches)	1
8	229305GT	CONN, FFSS-MORB, 520181-12	1
9	48960GT	FITTING,CONN,520120-12***	3
10	48916GT	CONN, 520120-6	3
11	48961GT	TEE,RUN,520428-12	1
12A	1273617GT	HOSE ASSY, HYD, 90D,90D,PERP (components: 229624, 229624, 48764 @ 48 inches) (diesel only)	1
12B	1273618GT	HOSE ASSY, HYD, 90D,90D,PRLL (components: 229624, 229624, 48764@48 inches) (dual fuel only)	1
13	87033GT	REDUCER,520123-12-6	1
14	227472GT	HOSE ASSY,PRESS(TEE)-PRESS(LLC (components: 48812, 48812, 56776 @ 128 inches)	1
15	48905GT	CONNECTOR, 520120-4	8
16	227611GT	HOSE ASSY,OSC(TEE)-E(R.OSC.CYL (components: 48800, 48802, 48751 @ 19.5 inches)	1
17	227612GT	HOSE ASSY,OSC(TEE)-R(R.OSC.CYL (components: 48800, 48802, 48751 @ 19.5 inches)	1
18	227471GT	HOSE ASSY,LIFT(F.MF)-P(TEE) (components: 48812, 48812, 56776 @ 62 inches)	1
19	227477GT	HOSE ASSY,HP FILTER-P.IN(F.MF) (components: 48822, 48826, 56777 @ 65 inches)	1
20	48947GT	ELBOW,90D,520220-8-12	1
21	48948GT	CONN,520120-8-12	1
22	227476GT	HOSE ASSY,OUT(PUMP)-HP FILTER (components: 48822, 48826, 56777 @ 43 inches)	1
23	139877GT	ELBOW,90D,520220-8-10	1
24A	48984GT	CONN,520120-16 (Diesel only)	1
24B	48983GT	ELBOW,90D,520220-16 (Dual fuel only)	1
25	48909GT	TEE,BULKHEAD,RUN,520958-4	2
26	48997GT	NIPPLE,DIAGNOSTIC,#4	3



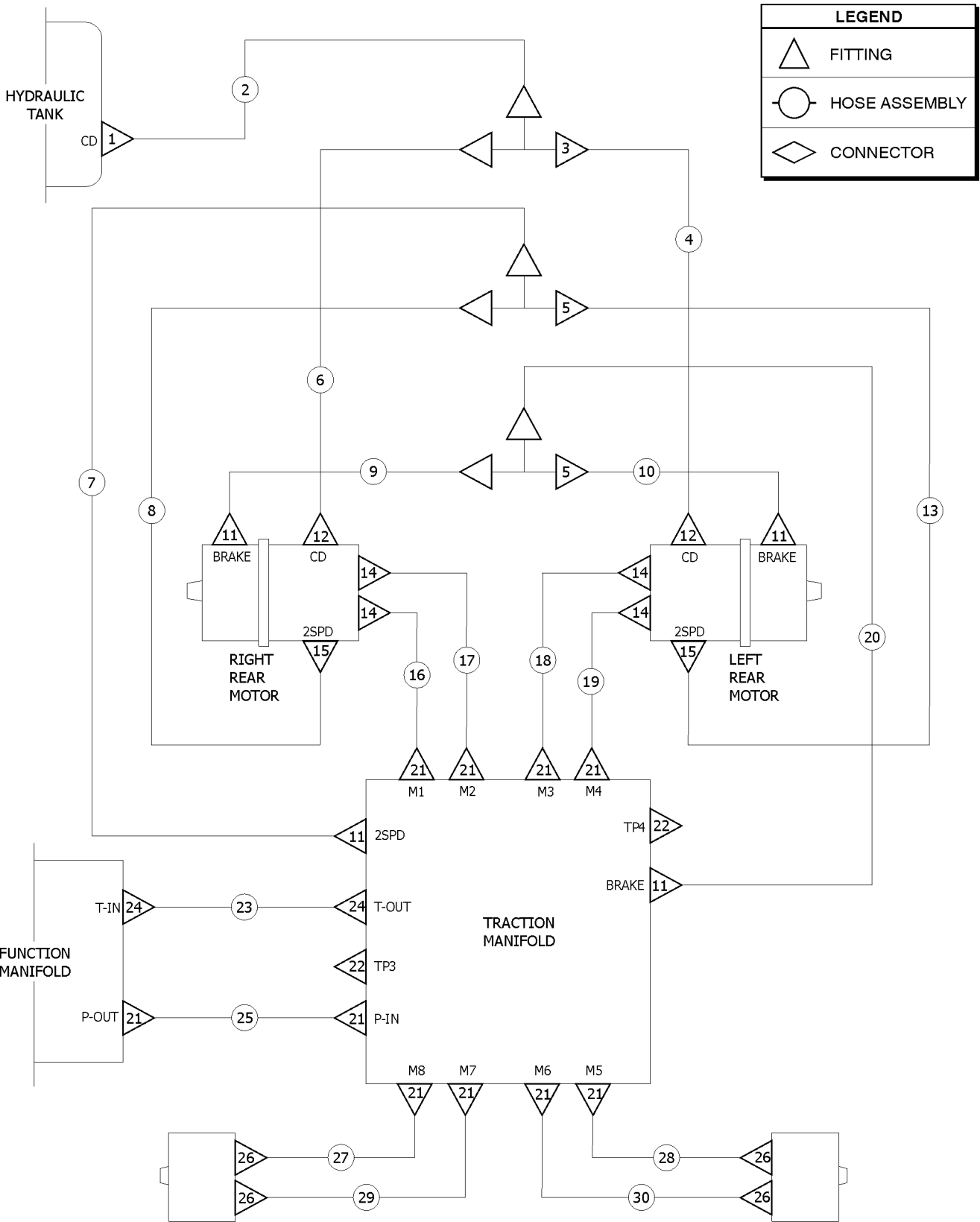
707.1 Hydraulic Hoses and Fittings, View 1



Item	Part No.	Description	Qty.
27	48933GT	CONN,520120-8***	2
28	227470GT	HOSE ASSY,T.OUT(F.MF)-TANK (components: 48809, 56354, 39889 @ 22 inches)	1
29	227609GT	HOSE ASSY,OSCR(F.MF)-OSC(TEE) (components: 48800, 48800, 48751 @ 74 inches)	1
30	48883GT	PLUG,HEX,090109A-8***	1
31	227465GT	HOSE ASSY,T.OUT(T.MF)-T.IN(F.M) (components: 48841, 48841, 48761 @ 24 inches)	1
32	227610GT	HOSE ASSY,OSC(TEE)-R(L.OSC.CYL (components: 48800, 48802, 48751 @ 19.5 inches)	1
33	227468GT	HOSE ASSY,OSC(F.MF)-OSC(TEE) (components: 48800, 48800, 48751 @ 74 inches)	1
34	227464GT	HOSE ASY,P.OUT(F.MF)-P.IN(T.MF) (components: 48822, 48822, 56777 @ 24 inches)	1
35	227469GT	HOSE ASSY,OSC(TEE)-E(L.OSC.CYL (components: 48800, 48802, 48751 @ 19.5 inches)	1
36	227467GT	HOSE ASSY,S2(F.MF)-R(STRCYL) (components: 48800, 48801, 48751 @ 81 inches)	1
37	227466GT	HOSE ASSY,S1(F.MF)-B(STRCYL) (components: 48800, 48801, 48751 @ 74 inches)	1
38	48911GT	ELBOW,90D,520220-4-6***	1
39	48912GT	CONN,520120-4-6***	1



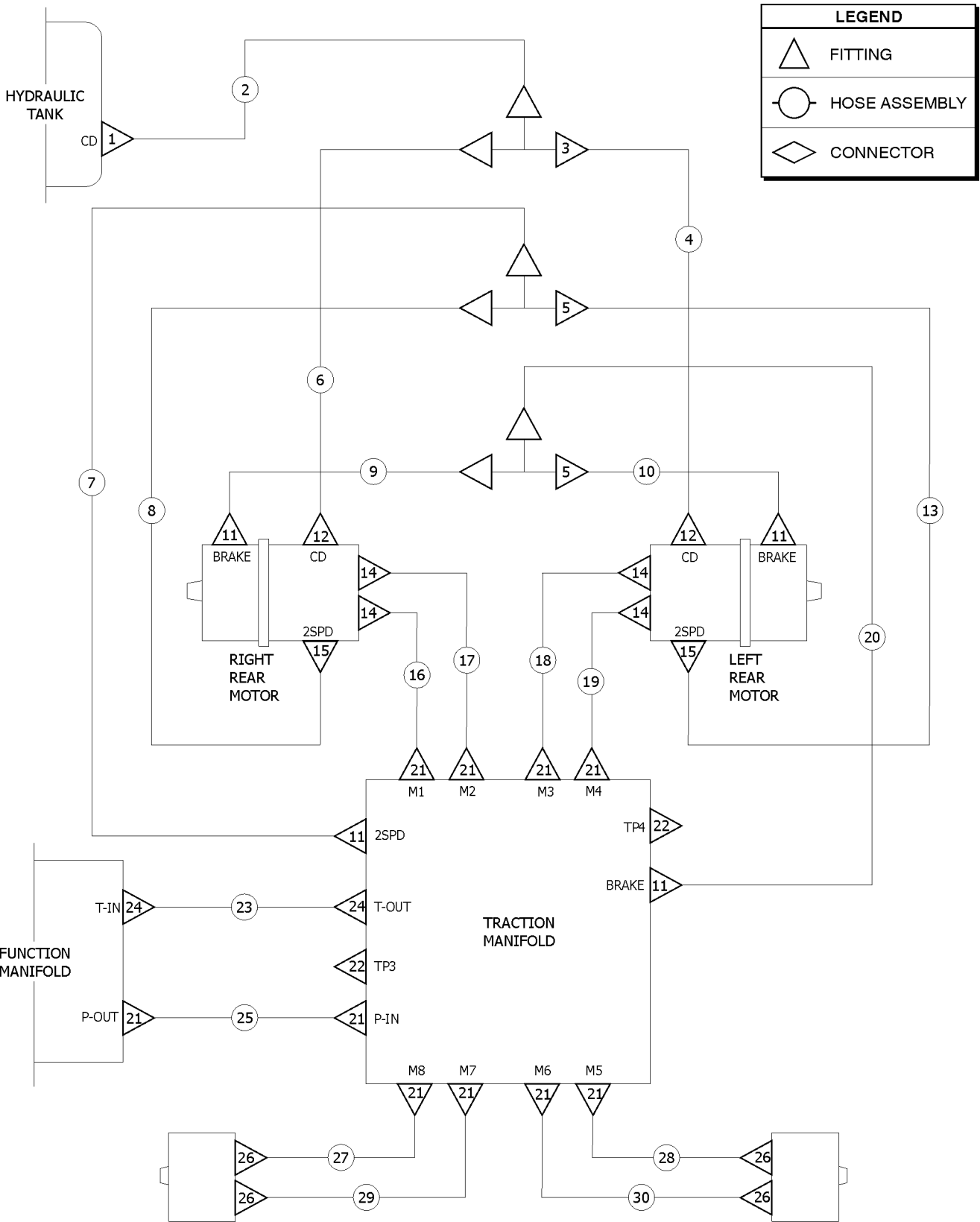
708.1 Hydraulic Hoses and Fittings, View 2



Item	Part No.	Description	Qty.
1	48915GT	ELBOW,90D,520220-6	
2	227462GT	HOSE ASSY, CD(TEE)-CD(TANK) (components: 77949, 77949, 75631 @ 72 inches)	
3	227614GT	CONN,520120-20	1
4	227463GT	HOSE ASSY, CD(LR.MTR)-CD(TEE) (components: 77949, 77949, 75631 @ 28 inches)	1
5	48909GT	TEE,BULKHEAD,RUN,520958-4	2
6	227608GT	HOSE ASSY,CD(RR.MTR)-CD(TEE) (components: 77949, 77949, 75631 @ 28 inches)	1
7	227604GT	HOSE ASSY,2SPD(T.MF)-2SPD(TEE) (components: 48800, 48802, 48751 @ 56 inches)	1
7B	49117GT	ASSY, HOSE, HYD, -4, 3250, STR, 90 Qty.1 (58 inches), (Components: 48800, 48802, 48751 @56 inches)	58 in ch es
8	227607GT	HOSE ASSY,2SP(TEE)-2SP(RR.MTR) (components: 48800, 48800, 48751 @ 30 inches)	1
9	227605GT	HOSE ASSY,BRK(TEE)-BRK(RR.MTR) (components: 48800, 48800, 48751 @ 30 inches)	1
10	227461GT	HOSE ASSY,BRK(TEE)-BRK(LR.MTR) (components: 48800, 48800, 48751 @ 30 inches)	1
11	48905GT	CONNECTOR, 520120-4	4
12	48929GT	FITTING,ELBOW,90D,520220-6-8	2
13	227606GT	HOSE ASSY,2SP(TEE)-2SP(LR.MTR) (components: 48800, 48800, 48751 @ 30 inches)	1
14	48947GT	ELBOW,90D,520220-8-12	4
15	48912GT	CONN,520120-4-6***	2
16	227602GT	HOSE ASSY, M1(T.MF)-B(RR.MTR) (components: 48822, 48822, 56777 @ 76 inches)	1
17	227603GT	HOSE ASSY, M2(T.MF)-A(RR.MTR) (components: 48822, 48822, 56777 @ 76 inches)	1
18	227459GT	HOSE ASSY,M3(T.MF)-A(LR.MTR) (components: 48822, 48822, 56777 @ 76 inches)	1
19	227601GT	HOSE ASSY, M4(T.MF)-B(LR.MTR) (components: 48822, 48822, 56777 @ 76 inches)	1
20	227460GT	HOSE ASSY,BRK(T.MF)-BRK(TEE) (components: 48800, 48802, 48751 @ 56 inches)	1
21	48933GT	CONN,520120-8***	9
22	48997GT	NIPPLE,DIAGNOSTIC,#4	2
23	227465GT	HOSE ASSY,T.OUT(T.MF)-T.IN(F.M) (components: 48841, 48841, 48761 @ 24 inches)	1
24	48960GT	FITTING,CONN,520120-12***	1
25	227464GT	HOSE ASY,P.OUT(F.MF)-P.IN(T.MF) (components: 48822, 48822, 56777 @ 24 inches)	1
26	48943GT	FITTING,CONN,520120-8-6	4



708.1 Hydraulic Hoses and Fittings, View 2

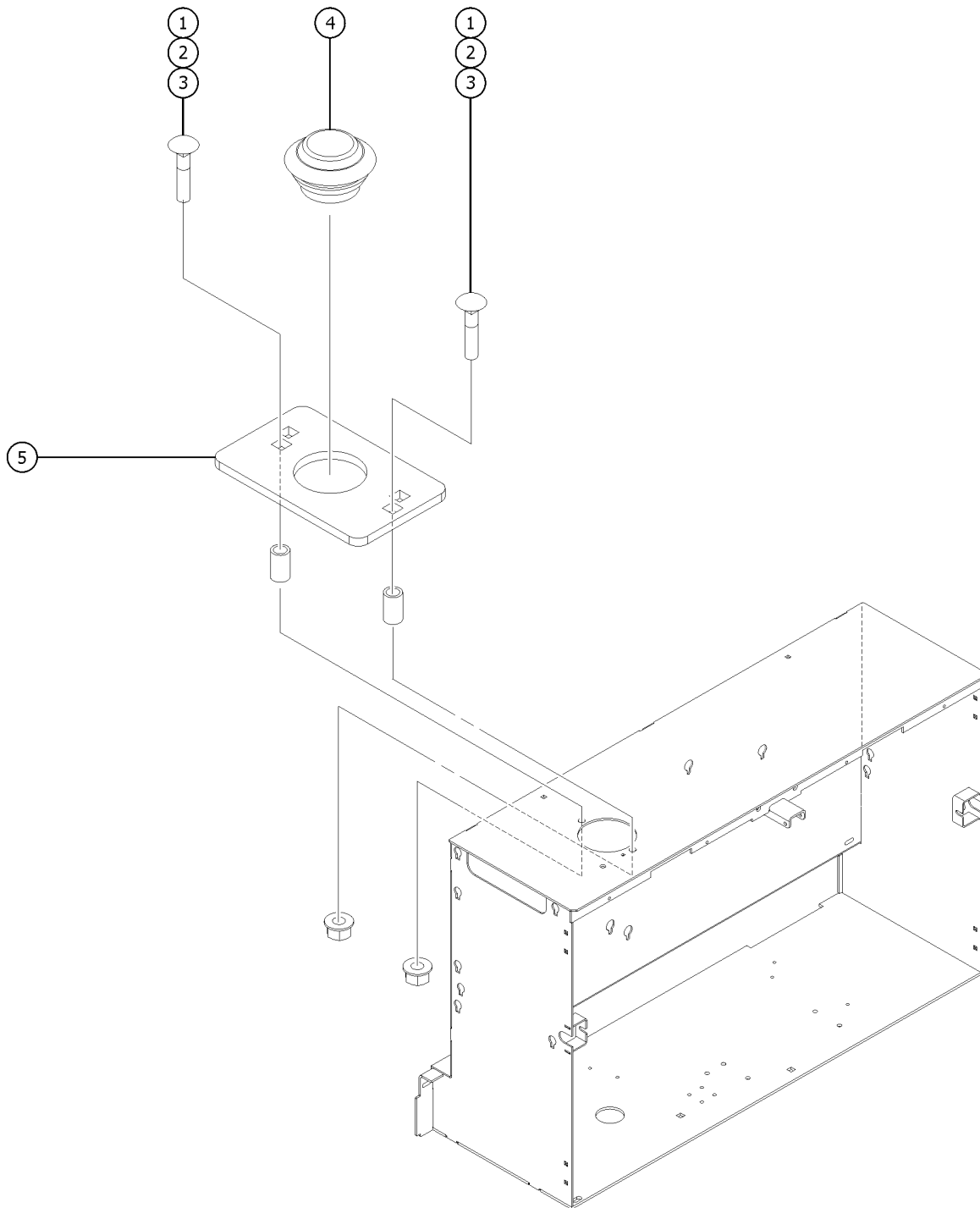


708.1 Hydraulic Hoses and Fittings, View 2

<i>Item</i>	<i>Part No.</i>	<i>Description</i>	<i>Qty.</i>
27	227600GT	HOSE ASSY, M8(T.MF)-A(RF.MTR) (components: 48822, 48825, 56777 @ 86 inches)	1
28	227458GT	HOSE ASSY, M5(T.MF)-A(LF.MTR) (components: 48812, 48815, 56776 @ 19 inches)	1
29	227599GT	HOSE ASSY, M7(T.MF)-B(RF.MTR) (components: 48822, 48825, 56777 @ 86 inches)	1
30	227598GT	HOSE ASSY, M6(T.MF)-B(LF.MTR) (components: 48822, 48825, 56777 @ 86 inches)	1



801.1 Flashing Motion Beacon

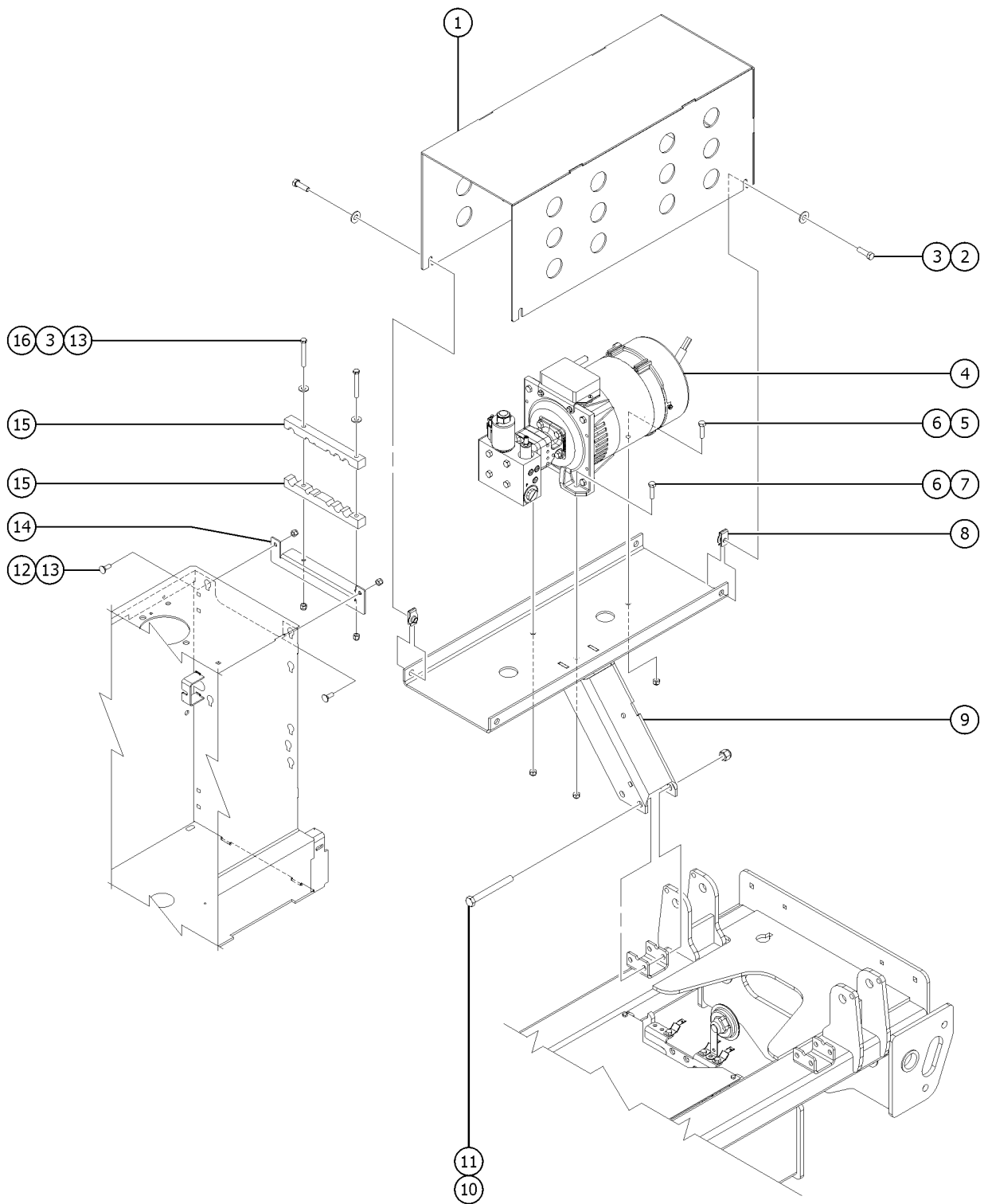


801.1 Flashing Motion Beacon

<i>Item</i>	<i>Part No.</i>	<i>Description</i>	<i>Qty.</i>
1	1256463GT	BOLT,CARRIAGE,1/4-20X1.25,5,ZAG to SN GS69F-21114	2
2	96699GT	SLEEVE,TANK SUPPORT to SN GS69F-21114	2
3	824027GT	NUT, TL FLG, 1/4-20, G, ZAG to SN GS69F-21114	2
4	1254572GT	LIGHT,TURN SIGNAL,1.25" LED,AM	1
5	1267469GT	PLATE,VISUAL IND LIGHT MOUNT,BLK to SN GS69F-21114	1



802.1 Generator Installation

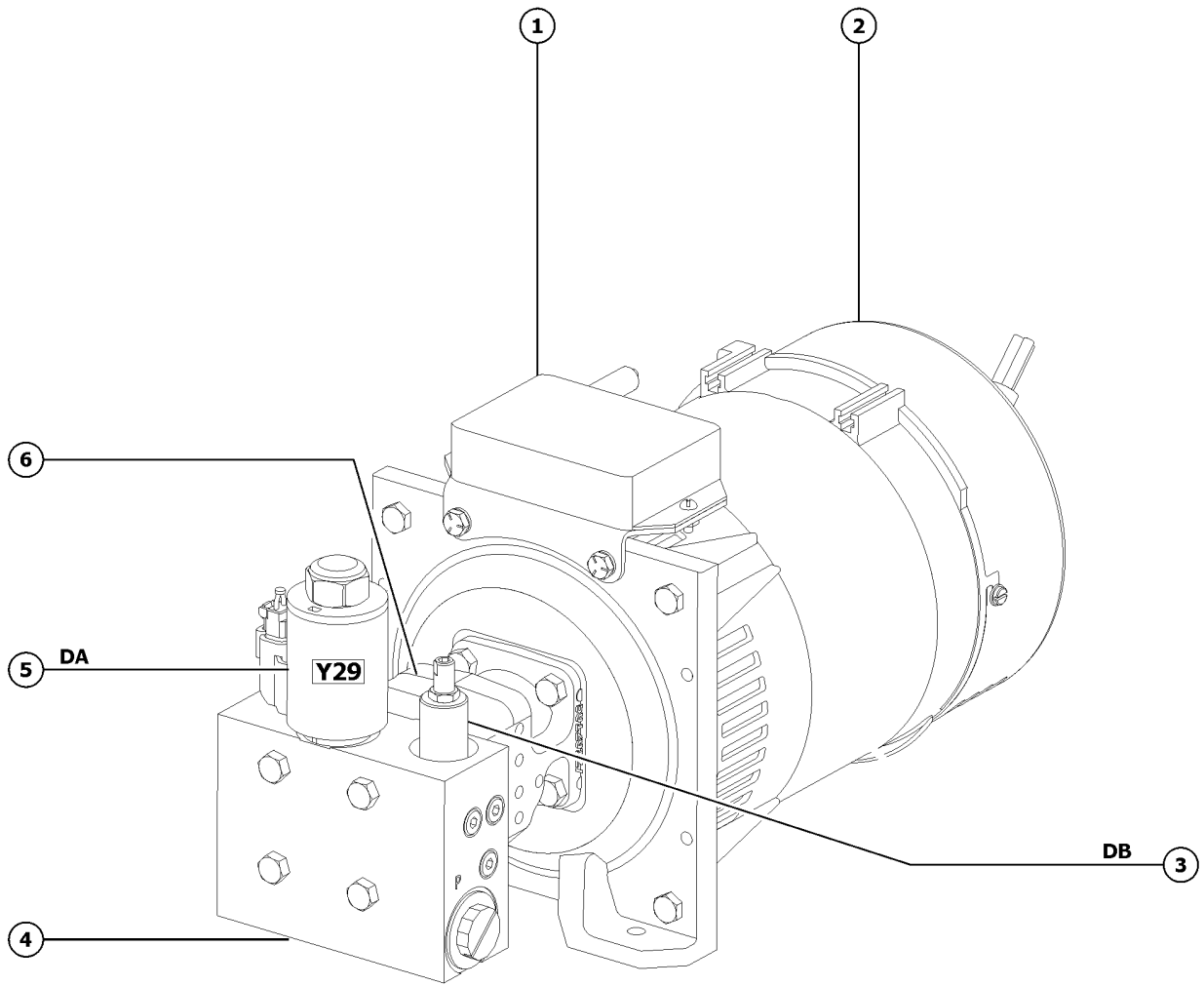


802.1 Generator Installation

Item	Part No.	Description	Qty.
-		WIRE HARNESS (refer to 408.1)	
-	45470GT	CLAMP,0.31,#5 X 1/4,RUB CUSH	1
1	1254163GT	WELDMENT,GEN COVER,GS69	1
2	6019GT	SCREW,HHC,3/8-16 X 1.25 GRD 5	
3	6097GT	WASHER, FLAT, USS, 3/8", Y	
4		Ref. Generator (refer to 803.1)	
5	13002GT	SCREW,HHC,5/16-18 X 1 GR5	
6	13000GT	SCREW,HHC,5/16-18X1.375,8,ZAG	
7	6782GT	NUT, NYLOCK, 5/16-18	
8	29868GT	SPRING CLIP,3/8-16,.05-.20X.73,ZAG	4
9	1254165GT	WELDMENT,GEN MOUNT,GS69	1
10	13854GT	SCREW,HHC,1/2-13 X 4.5,GRD.8	2
11	6198GT	NUT, NYLOCK, 1/2-13	
12	73466GT	BOLT,CARRIAGE,3/8-16 X 1.00,G2	
13	4828GT	NUT, NYLOCK, 3/8-16	
14	1254164GT	FORMING,GEN HOSE CLAMP MOUNT	1
15	215475GT	CLAMP,GENERATOR HOSE,GS69	2
16	6326GT	SCREW,HHC,3/8-16 X 3	



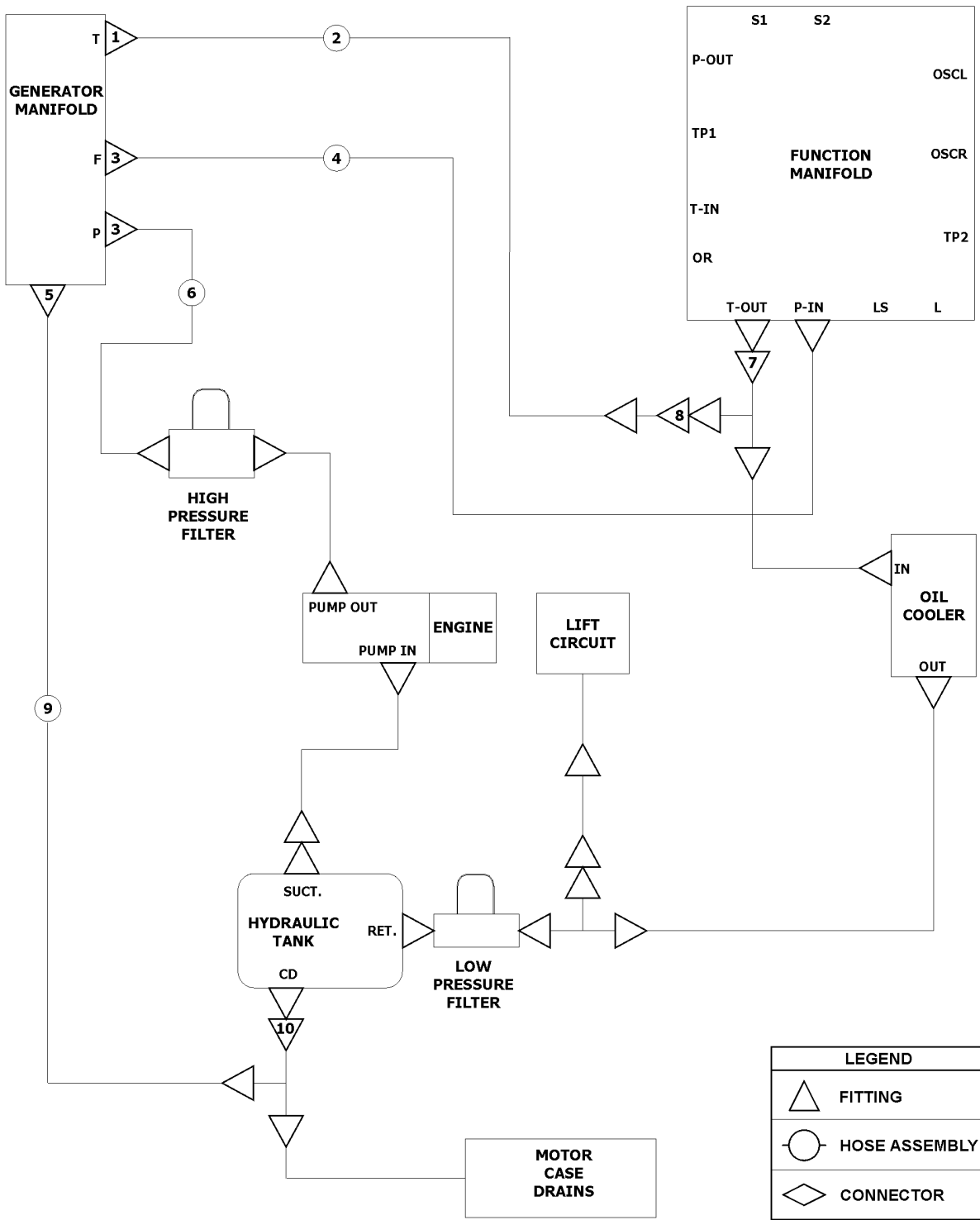
803.1 Generator



Item	Part No.	Description	Qty.
--		Use the letter callouts to cross-reference with the Service Manual.	
A	139954GT	GENERATOR, 3kW, 240V/50Hz 50 Hz	
B	139953GT	GENERATOR, 3kW, 120V/60Hz 60 Hz	
A-	147258GT	BREAKER, 15 AMP, GEN 50 Hz	
B-	147239GT	BREAKER, 25 AMP, GEN 60 Hz	
B-	1285230GT	CAPACITOR 12.5µF, GEN	
B-	147242GT	SCREW, GEN ROTOR	
B-	119067GT	CONN, RECEPT 4 WAY ENDCAP DT	
1	1269693GT	CONTROL BOX, 2KW, 120/240V, 50HZ	1
1-	147228GT	CONTROLLER BOX, 120/240V, 60H	
2	147262GT	COVER, END, GENERATOR, 240V 50 Hz	1
2-	147241GT	COVER, END, GEN, 120V 60 Hz	
3	147233GT	VALVE, RELIEF, GEN, 3.0kW (DB, Generator circuit)	1
4	147229GT	MANIFOLD ASSEMBLY, GEN complete (includes items 3 & 5)	1
5	147232GT	12VDC PROPORTIONAL VALVE (DA, Generator speed)	1
6	147230GT	207 HYD MOTOR ASSY, GEN	1
6-	147231GT	SEAL KIT, HYD MOTOR, GEN	



804.1 Hydraulic Hoses and Fittings, Generator

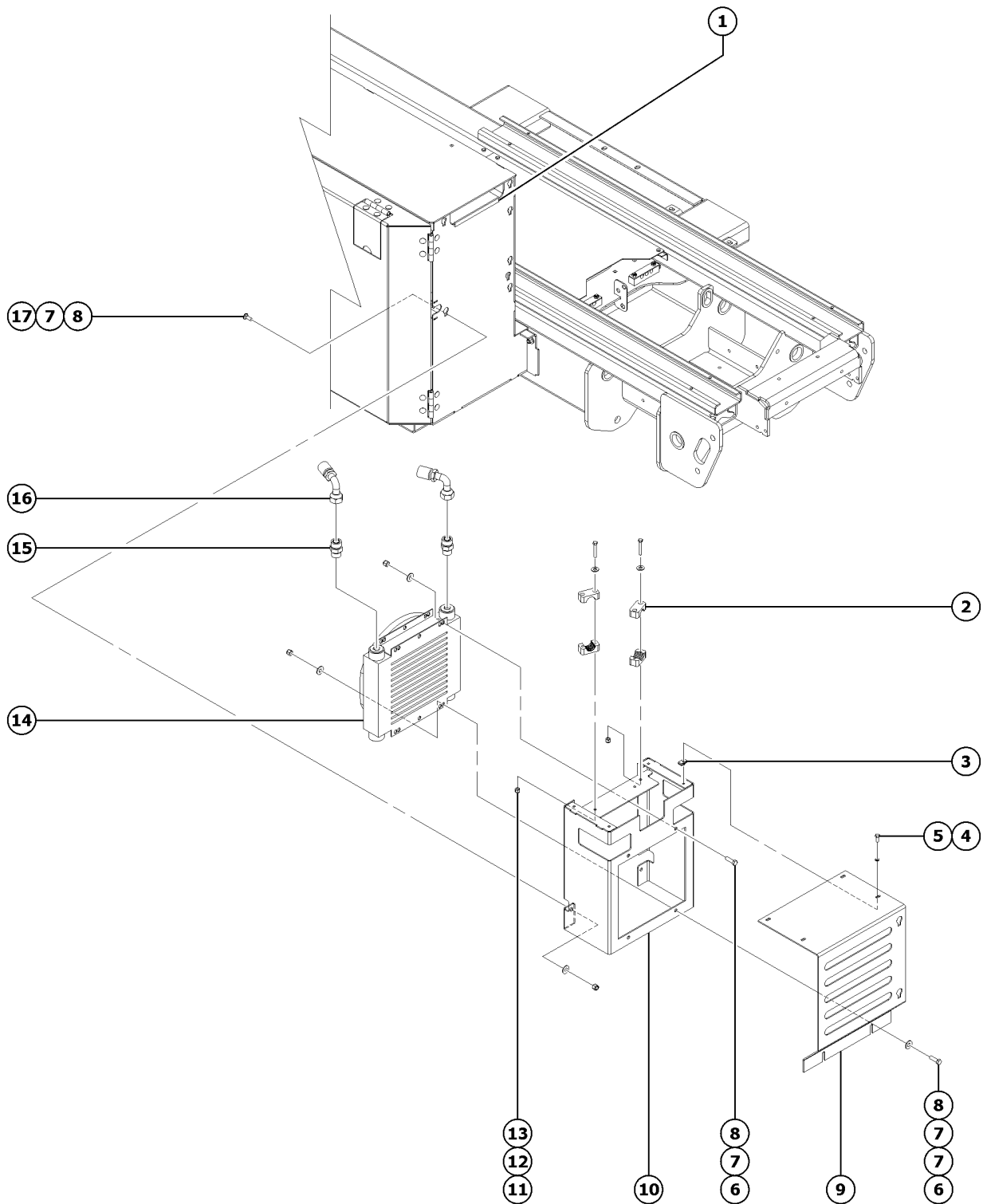


804.1 Hydraulic Hoses and Fittings, Generator

Item	Part No.	Description	Qty.
1	48933GT	CONN,520120-8***	1
2	227484GT	HOSE ASSY,T(GEN)-T.OUT(F.MF) (components: 48822, 48825, 48756 @ 78 inches)	1
3	48947GT	ELBOW,90D,520220-8-12	2
4	227483GT	HOSE ASSY,F(GEN)-P.IN(F.MF) (components: 48822, 48822, 56777 @ 78 inches)	1
5	49861GT	CONN,LONG,520122-4	1
6	227482GT	HOSE ASSY,HPFILTER-P(GEN) (components: 48822, 48826, 56777 @ 122 inches)	1
7	227720GT	TEE,RUN,FEMSW,520432-12	1
8	51580GT	FITTING,REDUCER,520123-12-8***	1
9	227485GT	HOSE ASSY,CD(GEN)-CD(TANK) (components: 48800, 48811, 48751 @ 48 inches)	1
10	48875GT	TEE,RUN,SWIVEL,520432-6	1



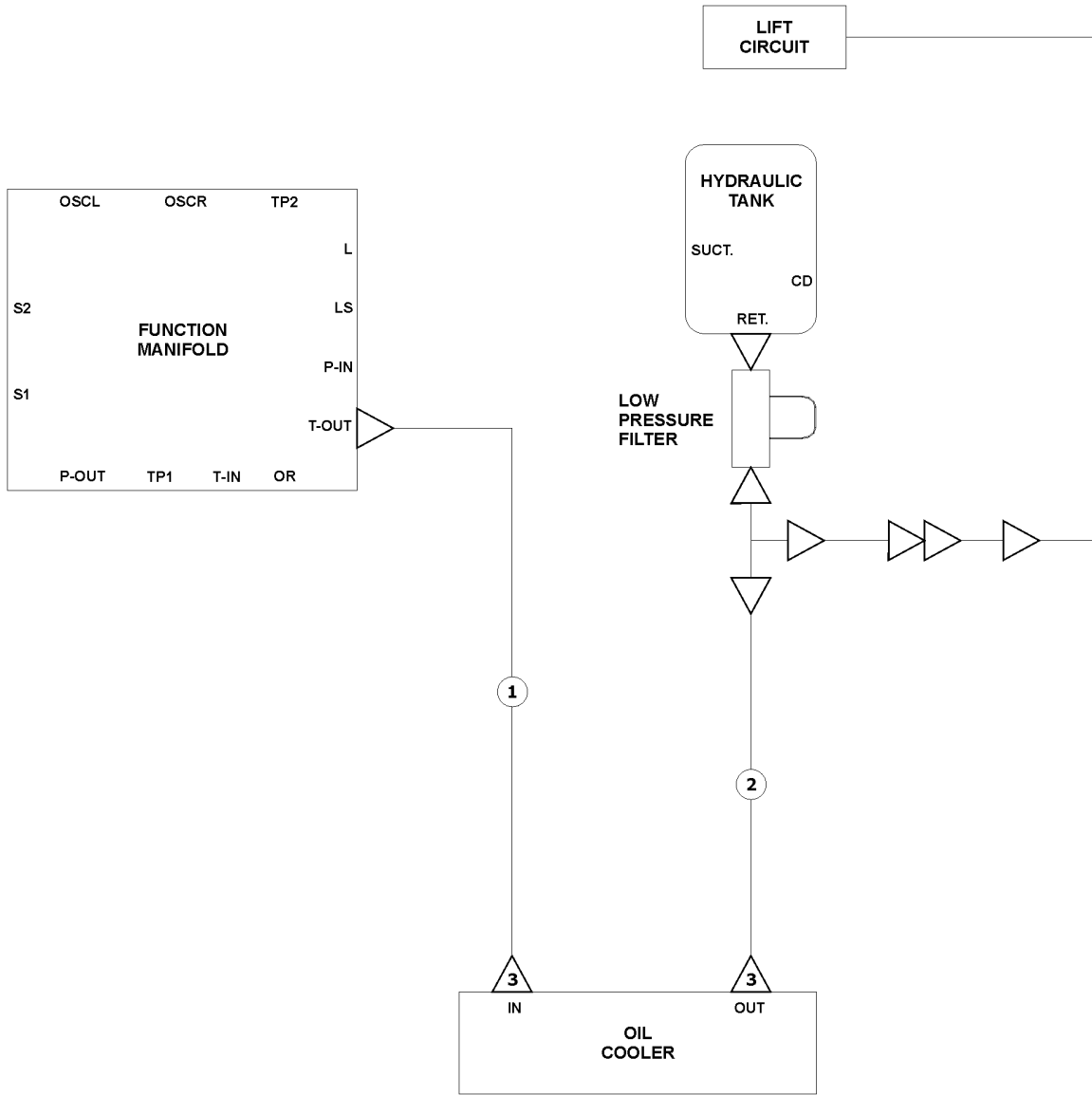
805.1 Oil Cooler






Item	Part No.	Description	Qty.
		Ref. Oil Cooler Wire Harness (refer to 408.1)	
A	34053GT	ASSY,RELAY SOCKET,AUTO***	
B	34052GT	RELAY,SPDT,12V(AUTO) PLUG IN**	
C	79015GT	FUSE,20 AMP,ATC	
D	67504GT	FUSE HOLDER,ATC 3-30 AMPS	
1	46718GT	TRIMLOCK,BLACK,3/16	9.5
2	117773GT	1-1/8T TUBE CLAMP two halves	4
3	56912GT	SPRING CLIP,1/4-20,.025-.15X.54,ZAG	4
4	6090GT	SCREW,HHC, 1/4-20 X .75	
5	6356GT	WASHER, LOCK, .25	
6	6019GT	SCREW,HHC,3/8-16 X 1.25 GRD 5	
7	6097GT	WASHER, FLAT, USS, 3/8", Y	
8	4828GT	NUT, NYLOCK, 3/8-16	
9	1254167GT	FORMING,OIL COOLER COVER,GS69	1
10	1254168GT	WELDMENT,OIL COOLER MOUNT,GS69	1
11	6091GT	NUT, NYLOCK, 1/4-20	
12	6638GT	WASHER, FLAT, USS, 1/4"Y	
13	8179GT	SCREW,HHC,1/4-20 X 2.25	
14	71259GT	OIL COOLER W/FAN, 12VDC	1
14-	75854GT	FAN - VENTED	
14-	75855GT	THERMOSTAT -OIL COOLER (71259)	
15	48960GT	FITTING,CONN,520120-12***	2
16	48846GT	HOSE END,FEMSW,90D,ORFS,-12-12	2
17	64154GT	BOLT, CARRIAGE, 3/8-16 X 1.00, G5	



806.1 Hydraulic Hoses and Fittings, Oil Cooler



LEGEND	
	FITTING
	HOSE ASSEMBLY
	CONNECTOR

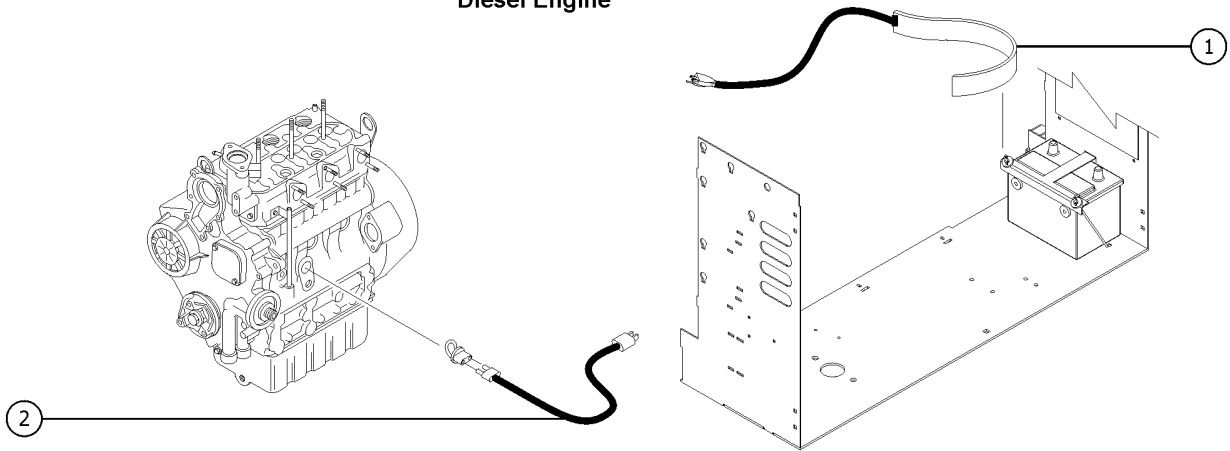
806.1 Hydraulic Hoses and Fittings, Oil Cooler

<i>Item</i>	<i>Part No.</i>	<i>Description</i>	<i>Qty.</i>
1	227480GT	HOSE ASSY,T.OUT(F.MF)-IN(OC) (components: 48809, 56354, 39889 @ 50 inches)	1
2	227481GT	HOSE ASSY,OUT(OC)-TANK (components: 48809, 56354, 39889 @ 34 inches)	1
3	48960GT	FITTING,CONN,520120-12***	2

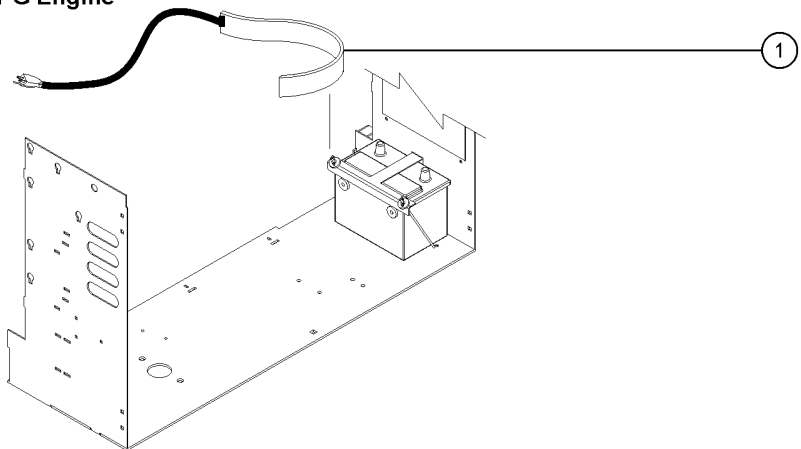


807.1 Cold Start Installation

**Kubota D-1105
Diesel Engine**



**Perkins 403D-11
Diesel Engine
and
GM .998L
Gasoline/LPG Engine**

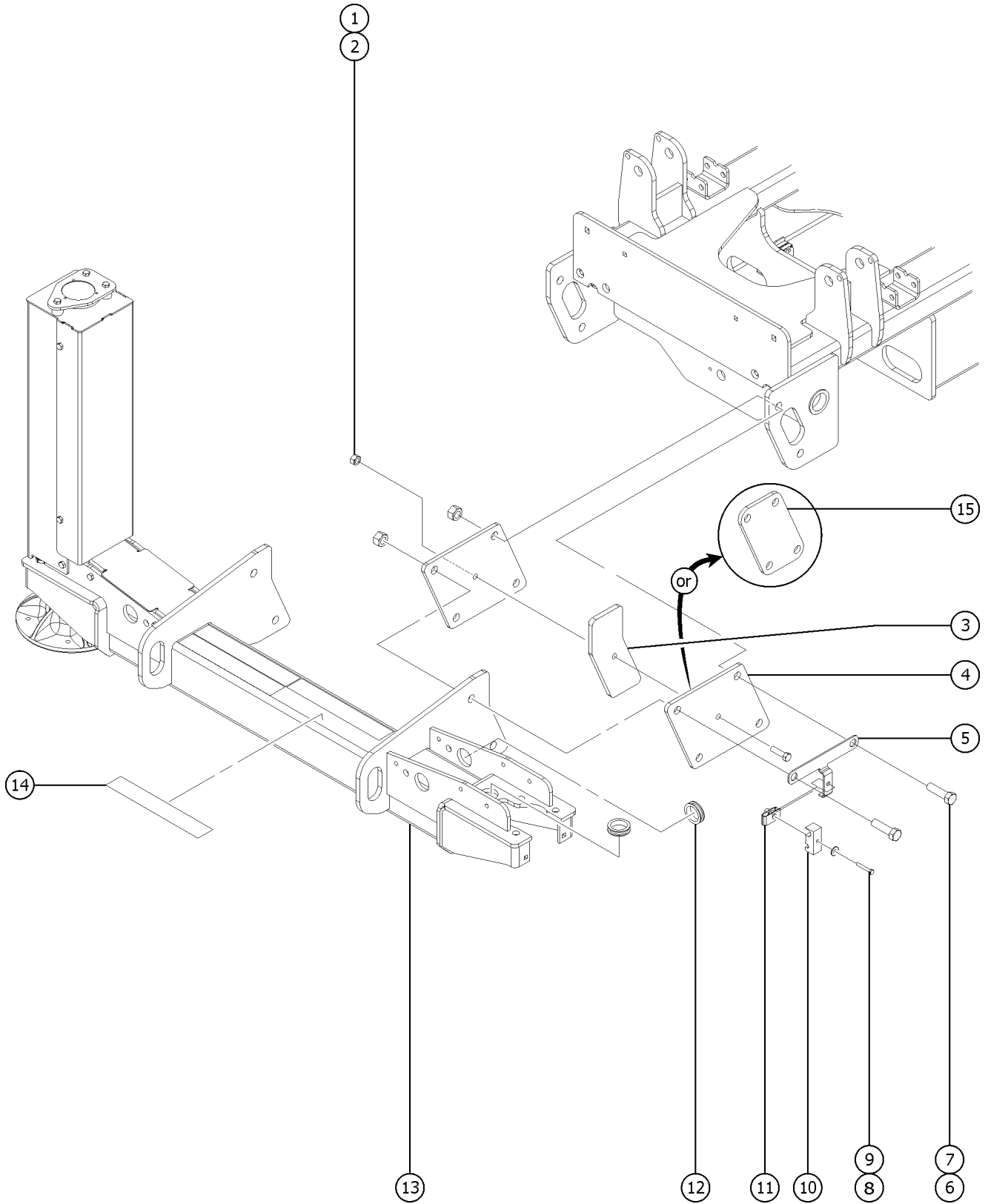


807.1 Cold Start Installation

<i>Item</i>	<i>Part No.</i>	<i>Description</i>	<i>Qty.</i>
1	28853GT	BLANKET,BATTERY	1
2	42489GT	FREEZE PLUG HEATER Kubota D-1105 Diesel models	1



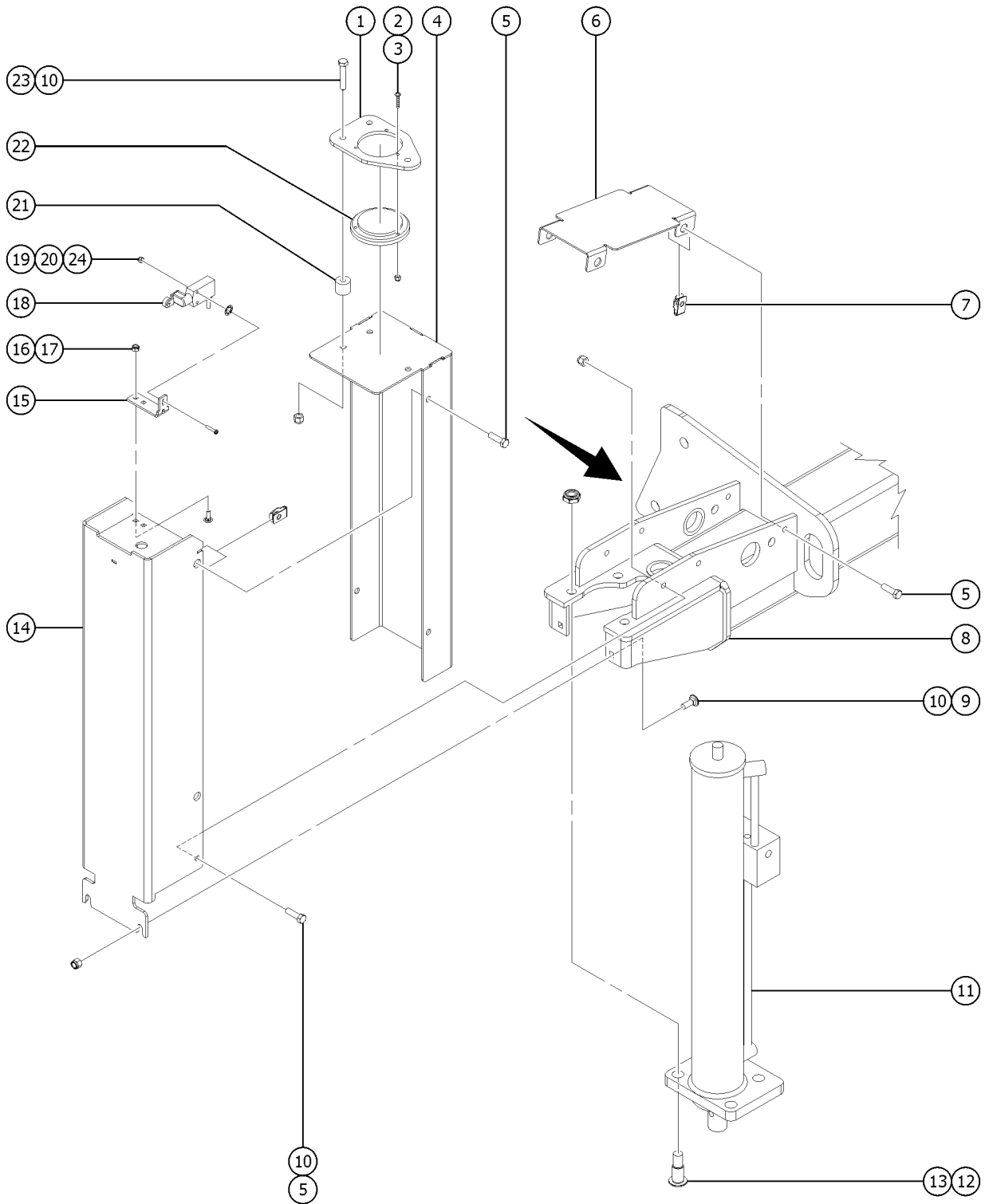
808.1 Outrigger Installation, View 1



Item	Part No.	Description	Qty.
A	1256151GT	KIT, HI FLOAT TIRE,O/R SPACER kit no longer available please order individual components for models with hi flotation tires	
A-	1256152GT	INSTRUCTIONS, O/R SPACER, HI FLOAT TIRE	1
A-	56912GT	SPRING CLIP,1/4-20,.025-.15X.54,ZAG	2
1	6198GT	NUT, NYLOCK, 1/2-13 (steer end)(models with high floatation tires)	2
2	6096GT	SCREW,HHC,1/2-13 X 2 GR5 (steer end)(models with high floatation tires)	2
3	160740GT	PLATE,O/R SPACER, HI FLOAT (steer end)(models with high floatation tires)	2
4	160739GT	PLATE, O/R MOUNT, HI FLOAT (steer end)(models with high floatation tires)	4
5	160744GT	FORM,O/R FRONT CLAMP,HI FLOAT (steer end) (models with high floatation tires)	2
5B	148409GT	FORMING,O/R FRONT CLAMP (steer end) (models without high floatation tires)	2
6	51428GT	SCREW,HHC,3/4-10 X 2.75	8
7	10258GT	NUT,NYLOCK,3/4-10,GRD.2	8
8	6637GT	SCREW,HHC,1/4-20 X 1.75	2
9	6638GT	WASHER, FLAT, USS, 1/4"Y	2
10	148410GT	CLAMP,#4 HOSE,CLAMP	2
11	56912GT	SPRING CLIP,1/4-20,.025-.15X.54,ZAG	2
12	47238GT	GROMMET,RUBBER 1.5 ID	8
13		Ref. WELDMENT,OUTRIGGER YOKE	
		(refer to 809.1)	
14	148329GT	TAPE,NON-SKID,2"X14"	2
15	148046GT	PLATE,OUTRIGGER MOUNT (non-steer end and steer end models without high floatation tires)	4



809.1 Outrigger Installation, View 2 (to SN GS69F-21194)

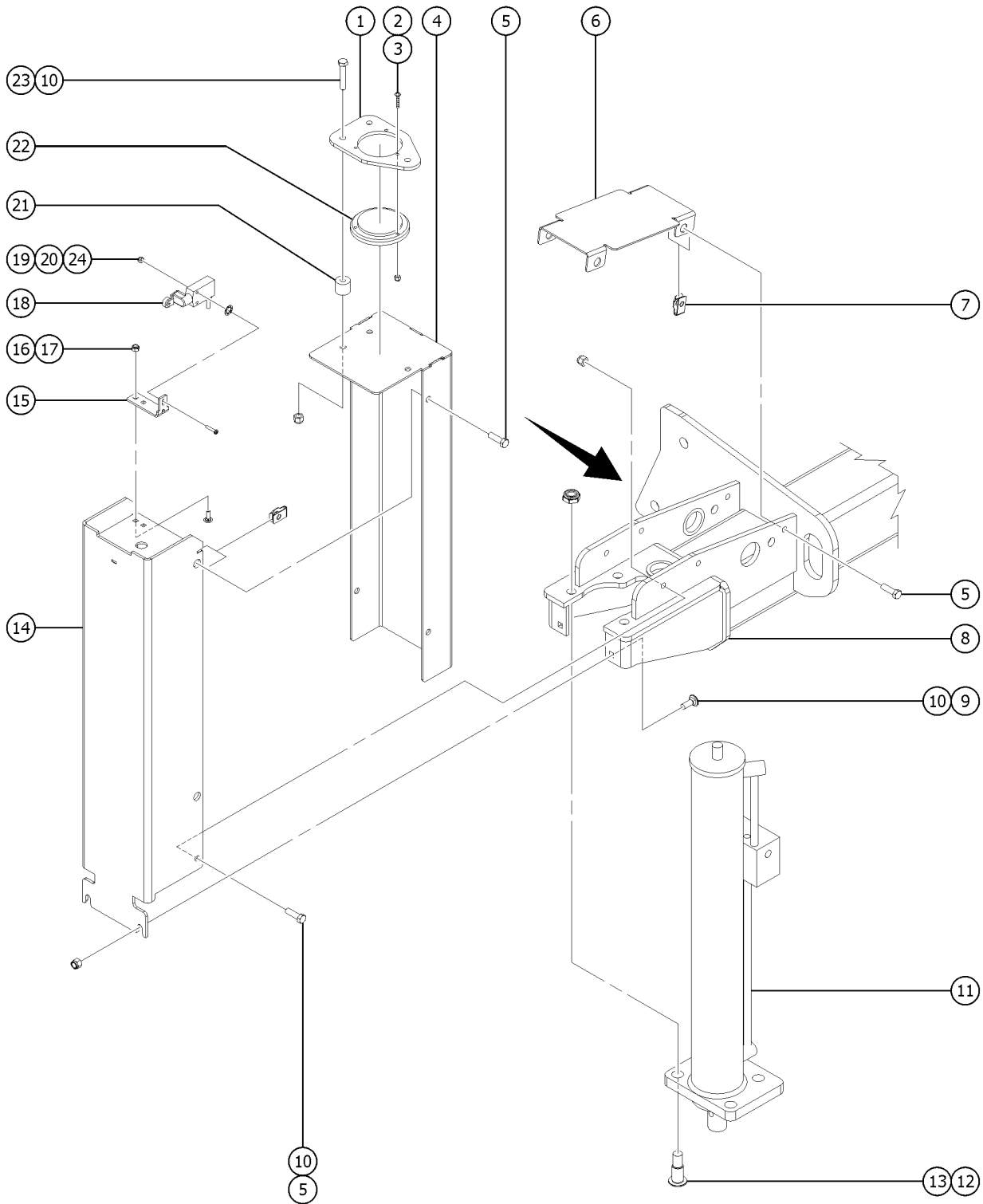


809.1 Outrigger Installation, View 2 (to SN GS69F-21194)

Item	Part No.	Description	Qty.
1	87002GT	PLATE,BUBBLE LEVEL MOUNT to SN GS69F-17689	1
2	826516GT	SCREW, PHPM, 10-32 X 1.0, ZAG to SN GS69F-17689	3
3	1275810GT	NUT,SERRATED,10-32,SS to SN GS69F-17689	3
4	148001GT	WELDMENT,O/R SWITCH COVER	4
5	6019GT	SCREW,HHC,3/8-16 X 1.25 GRD 5	
6	131972GT	FORMING,O/R HOSE COVER	4
7	29868GT	SPRING CLIP,3/8-16,.05-.20X.73,ZAG	
8	148027GT	WELDMENT,OUTRIGGER YOKE steer end	1
8B	148044GT	WELDMENT,OUTRIGGER YOKE non-steer end	
9	64154GT	BOLT, CARRIAGE, 3/8-16 X 1.00, G5	
10	4828GT	NUT, NYLOCK, 3/8-16	
11		Ref. CYLINDER,OUTRIGGER,GS69 (refer to 811.1)	
12	71912GT	BOLT,SHOULDER,5/8-11 X 1.19 LT	
13	1283030GT	NUT,LP NYLOCK,5/8-11,2,ZAG	
14	235089GT	HOUSING ASSY,OUTRIGGER,WO (ANSI, CSA & Australia models with word decals) (to SN 15270) (from SN 15085 to 15158, verify limit switch body before ordering)	
14-	235091GT	HOUSING ASSY,OUTRIGGER,SY (Asia, S. America & CE models with symbol decals) (to SN 15270) (from SN 15085 to 15158, verify limit switch body before ordering)	
14-	148000GT	WELDMENT,OUTRIGGER COVER (decals not included, refer to section 100) (to SN 15270) (from SN 15085 to 15158, verify limit switch body before ordering)	4
14B	1289877GT	WELDMENT, OUTRIGGER COVER (from SN 15271) (used on some models from SN 15085 to 15158, verify limit switch body before ordering)	4
15	148024GT	FORMING,O/R LIM SWTCH BRACKET (to SN 15270) (from SN 15085 to 15158, verify limit switch body before ordering)	1
15B	1288967GT	FORMING,O/R LIM SWTCH BRACKET (from SN 15271) (used on some models from SN 15085 to 15158, verify limit switch body before ordering)	1
16	6091GT	NUT, NYLOCK, 1/4-20	
17	6878GT	BOLT,CARRIAGE,1/4-20 X .75,G2	
18	105692GT	SWITCH,LIMIT,W/ROLLER ARM (limit switch body XCMN2115L1) (to SN 15270) (from SN 15085 to 15158, verify limit switch body before ordering) (markings: 8B1807, 8B1820)	1
18B	1289888GT	SWITCH,LIMIT,W/ROLLER ARM (limit switch body B81843) (from SN 15271) (used on some models from SN 15085 to 15158, verify limit switch body before ordering) (markings: 8B1817, 8B1822)	1
19	18605GT	NUT,NYLOCK,8-32	
20	T106385GT	SCREW,PHILLIPS,PHM,8-32 X 1.00	



809.1 Outrigger Installation, View 2 (to SN GS69F-21194)

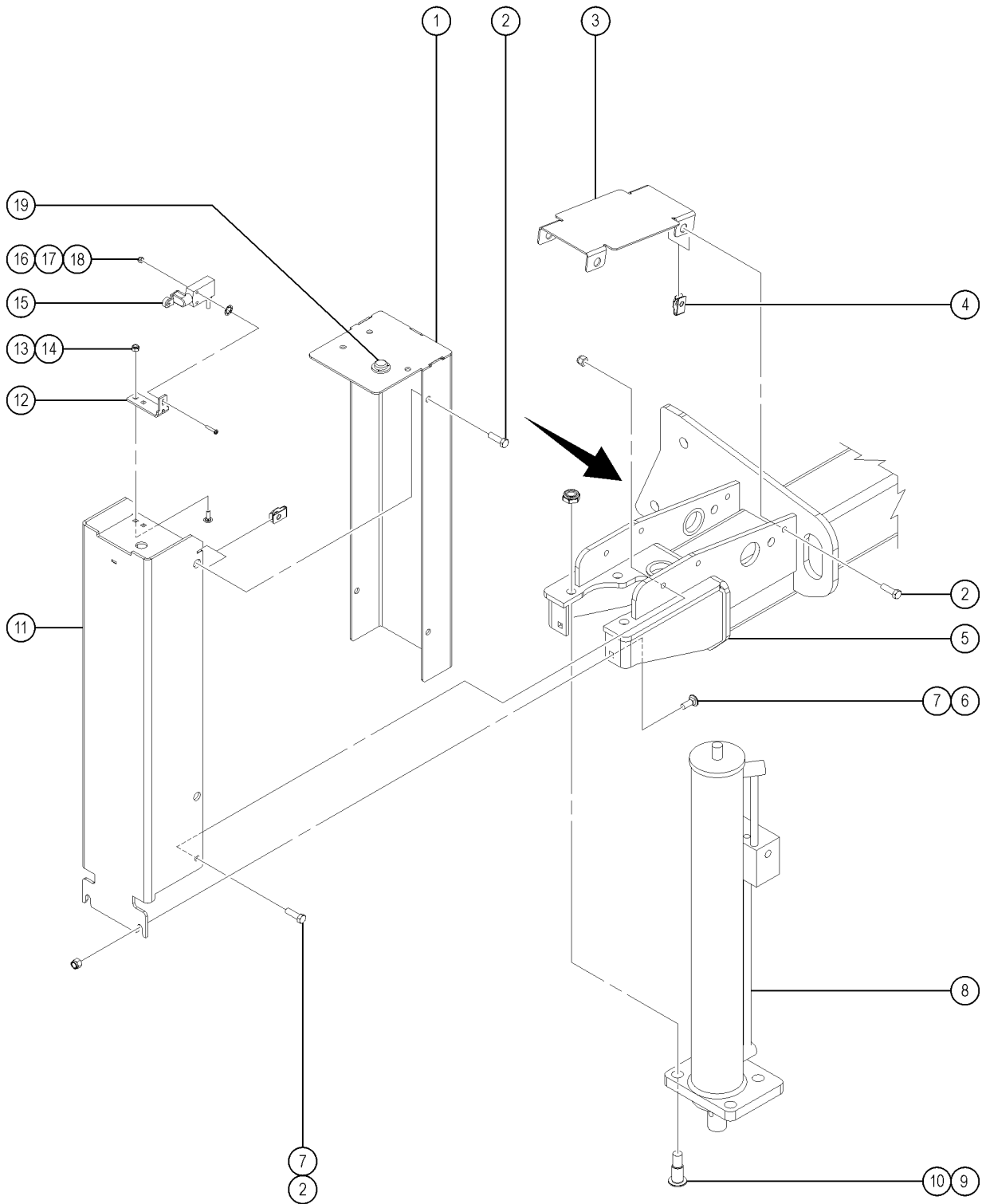


809.1 Outrigger Installation, View 2 (to SN GS69F-21194)

Item	Part No.	Description	Qty.
21	59568GT	RUBBER, VIBRATION MOUNT to SN GS69F-17689	3
22	1275562GT	LEVEL,BUBBLE,3 DEG,BOSS to SN GS69F-17689	
22B	6714GT	LEVEL,BUBBLE ANSI/CSA models from 11475 to SN GS69F-17689, CE/AUS models from GS69F-17690	
22C	1275562GT	LEVEL,BUBBLE,3 DEG,BOSS CE/AUS models from 11475 to SN GS69F-17689	
23	5224GT	SCREW,HHC,3/8-16 X 2 to SN GS69F-17689	
24	44936GT	WASHER,STAR,EXTERNAL,#8	



809.2 Outrigger Installation, View 2 (from SN GS69F-21195)

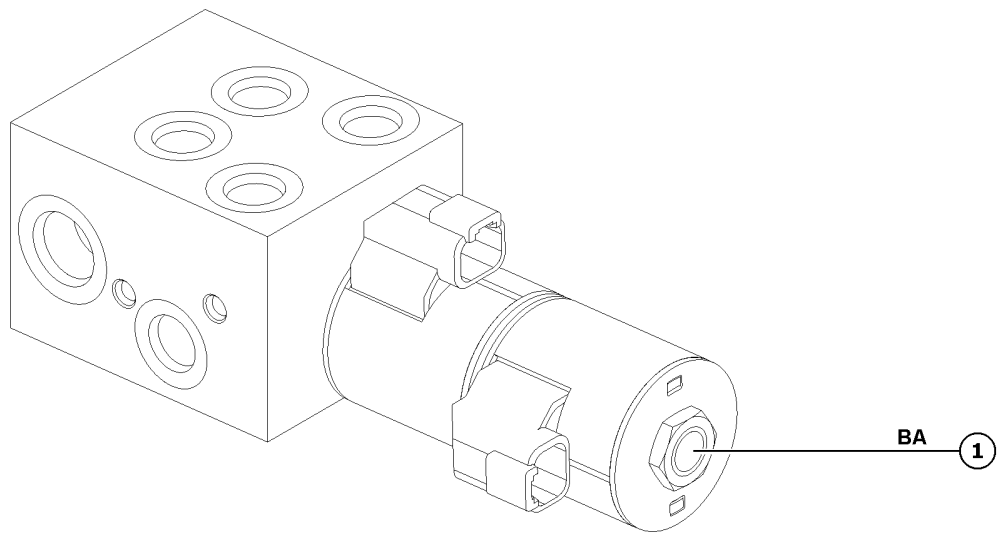


809.2 Outrigger Installation, View 2 (from SN GS69F-21195)

Item	Part No.	Description	Qty.
1	1322408GT	WELDMENT, O/R SWITCH COVER	4
2	6019GT	SCREW,HHC,3/8-16 X 1.25 GRD 5 front outrigger	20
2B	824068GT	SCREW, HHC, 3/8-16 X 1.25, 8, ZAG rear outrigger	20
3	131972GT	FORMING,O/R HOSE COVER	4
4	29868GT	SPRING CLIP,3/8-16,.05-.20X.73,ZAG	32
5	148027GT	WELDMENT,OUTRIGGER YOKE steer end	1
5B	148044GT	WELDMENT,OUTRIGGER YOKE non-steer end	1
6	105092GT	BOLT,CARRIAGE,3/8-16X1.25,GR5 front outrigger	4
6B	1255757GT	BOLT,CARRIAGE,3/8-16X1.25,5,ZAG rear outrigger	4
7	4828GT	NUT, NYLOCK, 3/8-16	10
7B	1274166GT	NUT,NYLOCK,3/8-16,C,ZAG rear outrigger	10
8		Ref. CYLINDER,OUTRIGGER,GS69 (refer to 811.1)	
9	71912GT	BOLT,SHOULDER,5/8-11 X 1.19 LT	16
10	1283030GT	NUT,LP NYLOCK,5/8-11,2,ZAG	16
11	1322405GT	WELDMENT, OUTRIGGER COVER	4
12	1322404GT	FORMING,O/R LIM SWTCH BRACKET	4
13	6878GT	BOLT,CARRIAGE,1/4-20 X .75,G2 front outrigger	4
13B	824124GT	BOLT, CARRIAGE, 1/4-20 X .75, 5, ZAG rear outrigger	4
14	6091GT	NUT, NYLOCK, 1/4-20	4
14B	1274165GT	NUT,NYLOCK,1/4-20,C,ZAG rear outrigger	4
15	1289888GT	SWITCH,LIMIT,W/ROLLER ARM (limit switch body B81843) (verify limit switch body before ordering) (markings: 8B1817, 8B1822)	1
16	T106385GT	SCREW,PHILLIPS,PHM,8-32 X 1.00	8
17	44936GT	WASHER,STAR,EXTERNAL,#8	8
18	18605GT	NUT,NYLOCK,8-32 front outrigger	4
18B	1271081GT	NUT,NYLOCK,8-32,8,ZAG rear outrigger	4
19	6714GT	LEVEL,BUBBLE (attached with glue 1310202GT over outrigger cover)	1



810.1 Outrigger Manifold

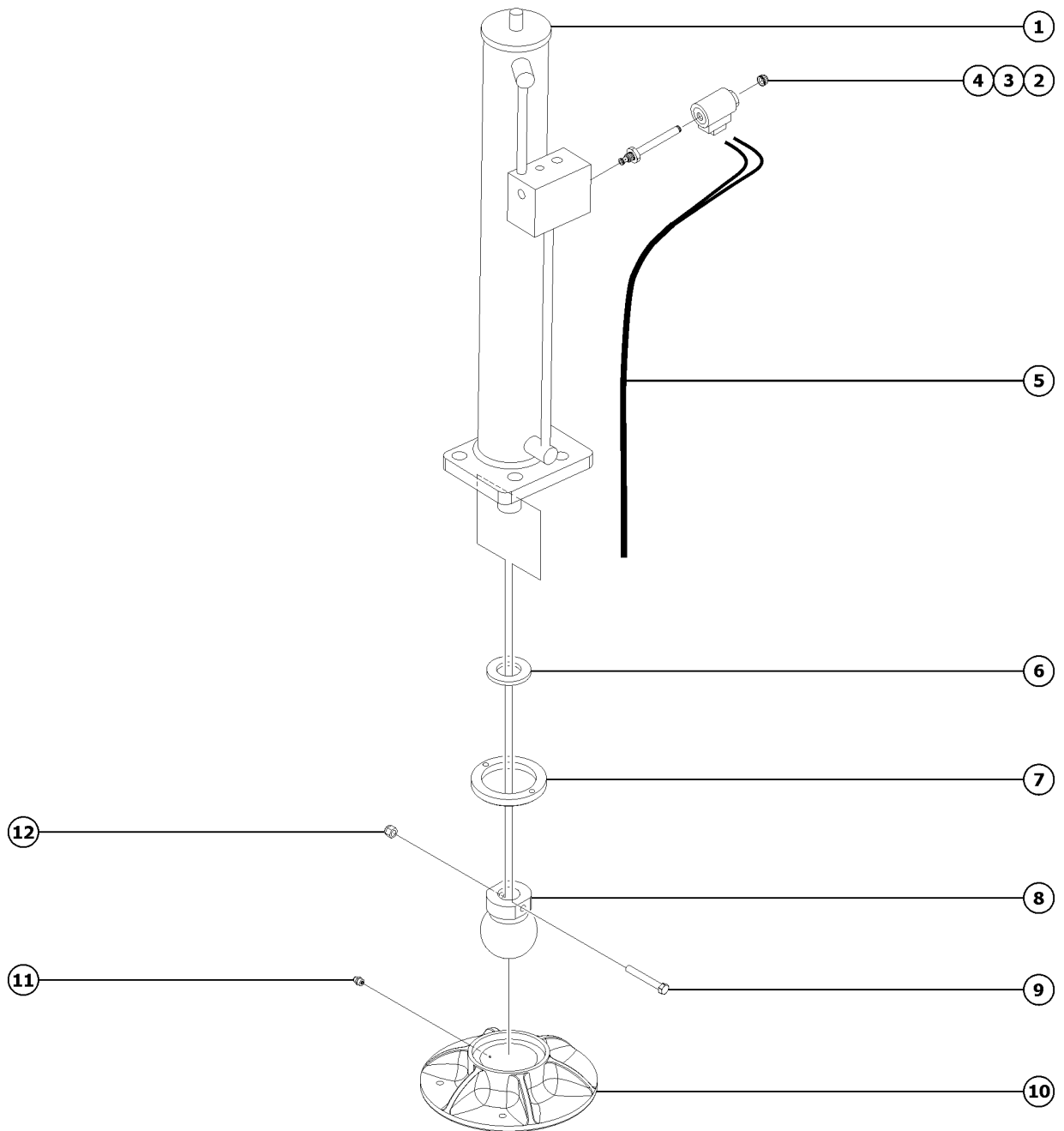


810.1 Outrigger Manifold

Item	Part No.	Description	Qty.
--		Use the letter callouts to cross-reference with the Service Manual.	
--	T110624GT	MANIFOLD,OUTRIGGER,GS69 (manifold, complete)	
1	84109GT	VALVE,DIR,#10 SAE,3 POS. 4 WAY (BA, Outriggers in / out)	1
1-	44230GT	SEAL KIT-P.N.44169,44172,44171	
1-	104760GT	COIL,12VDC #10DTSCH IP69 ECOIL	
1-	44174GT	NUT-COIL SHORT	
1-	44175GT	SPACER-DUAL COIL,#10, SCISSORS	



811.1 Outrigger Cylinders, All Models

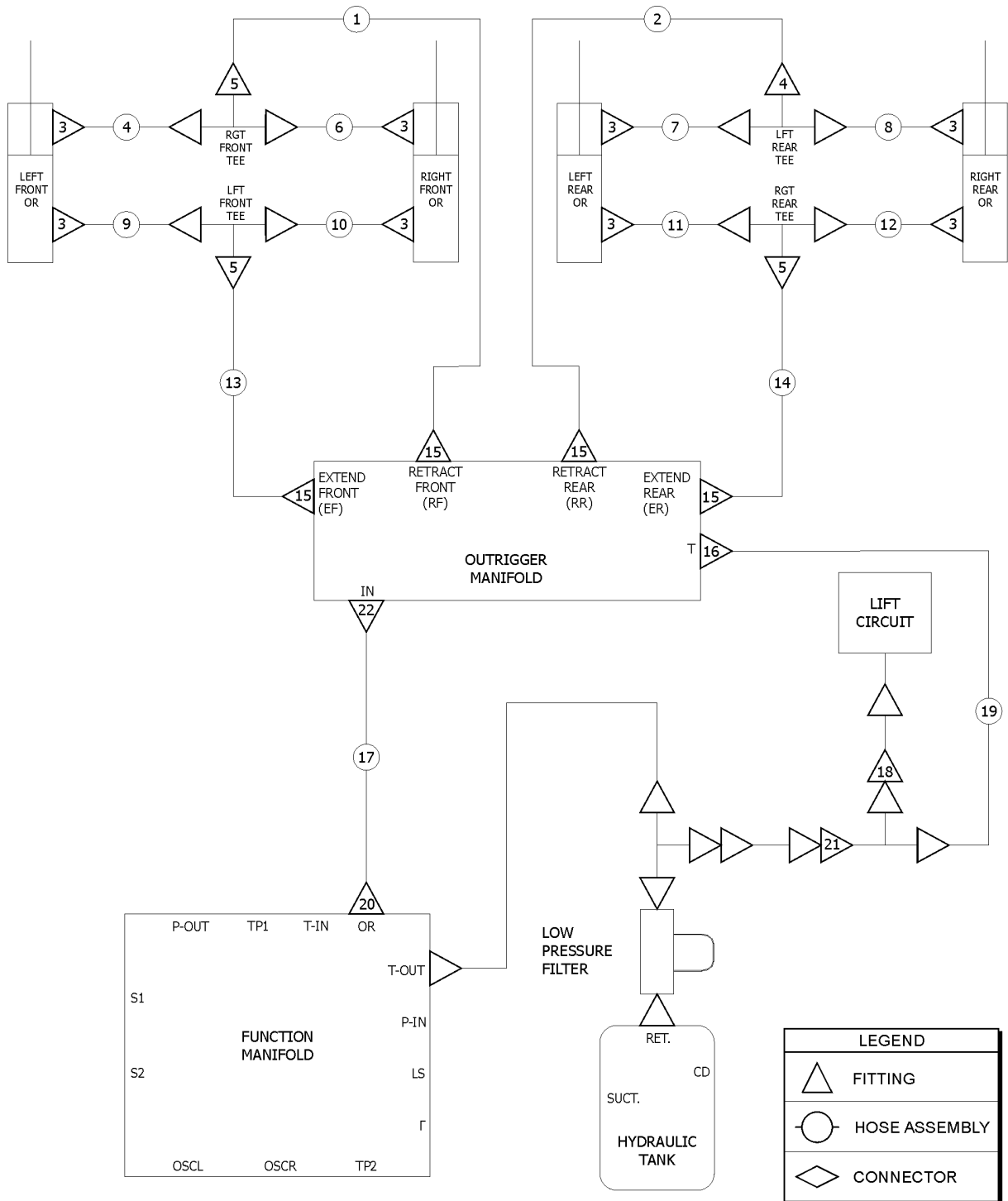


811.1 Outrigger Cylinders, All Models

Item	Part No.	Description	Qty.
--	112537GT	FOOTPAD ASSY,RTSC OUTRIGGER (includes items 6, 7 & 9)	
1	131428GT	CYLINDER,OUTRIGGER,GS69 order valve and coil separately	1
1-	226381GT	SEAL KIT,(131428) (for 131428)	
2	72097GT	NUT,SOLENOID VALVE,OUTRIGGERS 1	
3	79831GT	COIL, 12VDC,DIODE,DEUTSCH 1	
4	67933GT	VALVE,NC,BI-DI,CART*** 1	
4A	71925GT	PILOT CHECK VALVE 1	
5		Ref. Outrigger Wire Harness (refer to 408.1)	
6	55682GT	PLATE, CYL UP LIMIT 1	
7	55484GT	RETAINER, GS68 O/R FOOTPAD*** 1	
8	55485GT	CASTING, BALL, GS OUTRIGGER 1	
9	6326GT	SCREW,HHC,3/8-16 X 3 1	
10	51814GT	CASTING,OUTRIGGER FOOTPAD *** 1 order 1280156 separately	
10B	1280156GT	KIT,OUTRIGGER PAD LOCTITE,RT order footpad separately	
11	28646GT	ZERK,GREASE,1/8 NPT 1	
12	4828GT	NUT, NYLOCK, 3/8-16 1	



812.1 Hydraulic Hoses and Fittings, Outrigger

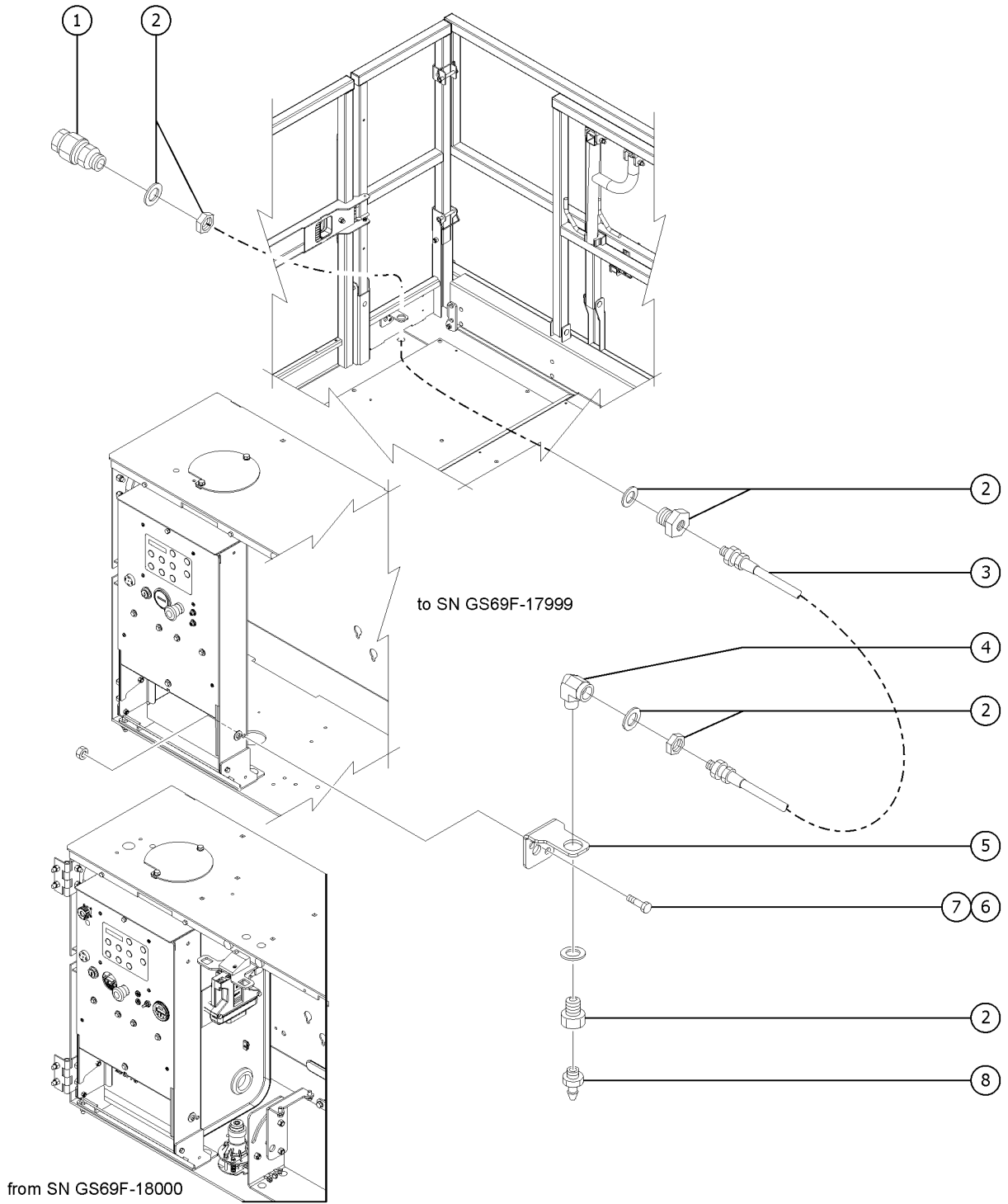


812.1 Hydraulic Hoses and Fittings, Outrigger

Item	Part No.	Description	Qty.
1	227726GT	HOSE ASSY,FR(OR.MF)-RF.OR.TEE (components: 48812, 48815, 56776 @ 98 inches)	1
2	227735GT	HOSE ASSY,RR(OR.MF)-RR.OR.TEE (components: 48812, 48815, 56776 @ 98 inches)	1
3	48905GT	CONNECTOR, 520120-4	8
4	227730GT	HOSE ASSY,RF.OR.TEE-R(LF.OR.CY (components: 48800, 48800, 48751 @ 75 inches)	1
5	48909GT	TEE,BULKHEAD,RUN,520958-4	4
6	227740GT	HOSE ASSY,RF.OR.TEE-R(RF.OR.CY (components: 48800, 48802, 48751 @ 20 inches)	1
7	227732GT	HOSE ASSY,RR.OR.TEE-R(LR.OR.CY (components: 48800, 48800, 48751 @ 20 inches)	1
8	227742GT	HOSE ASSY,RR.OR.TEE-R(RR.OR.CY (components: 48800, 48802, 48751 @ 75 inches)	1
9	227489GT	HOSE ASSY,LF.OR.TEE-E(LF.OR.CY (components: 48800, 48802, 48751 @ 20 inches)	1
10	227490GT	HOSE ASSY,LF.OR.TEE-E(RF.OR.CY (components: 48800, 48800, 48751 @ 75 inches)	1
11	227738GT	HOSE ASSY,LR.OR.TEE-E(LR.OR.CY (components: 48800, 48802, 48751 @ 75 inches)	1
12	227728GT	HOSE ASSY,LR.OR.TEE-E(RR.OR.CY (components: 48800, 48800, 48751 @ 20 inches)	1
13	227487GT	HOSE ASSY,EF(OR.MF)-LF.OR.TEE (components: 48812, 227488, 56776 @ 98 inches)	1
14	227724GT	HOSE ASSY,ER(OR.MF)-LR.OR.TEE (components: 48812, 48815, 56776 @ 98 inches)	1
15	48916GT	CONN, 520120-6	4
16	48933GT	CONN,520120-8***	1
17A	227486GT	HOSE ASSY,OR(F.MF)-IN(OR.MF) (components: 48812, 48815, 56776 @ 19 inches)	1
17B	1254068GT	HOSE ASSY,OR(F.MF)-IN(OR.MF) (components: 2x 48812, 48756 @ 21.4 in)	1
18	48892GT	ELBOW,SWIVEL 90D, 520221-6	1
19	227491GT	HOSE ASSY,T(OR.MF)-TANK (components: 48817, 48828, 48756 @ 8 inches)	1
20	48930GT	CONN,520120-6-8	1
21	48875GT	TEE,RUN,SWIVEL,520432-6	1
22	48915GT	ELBOW,90D,520220-6	



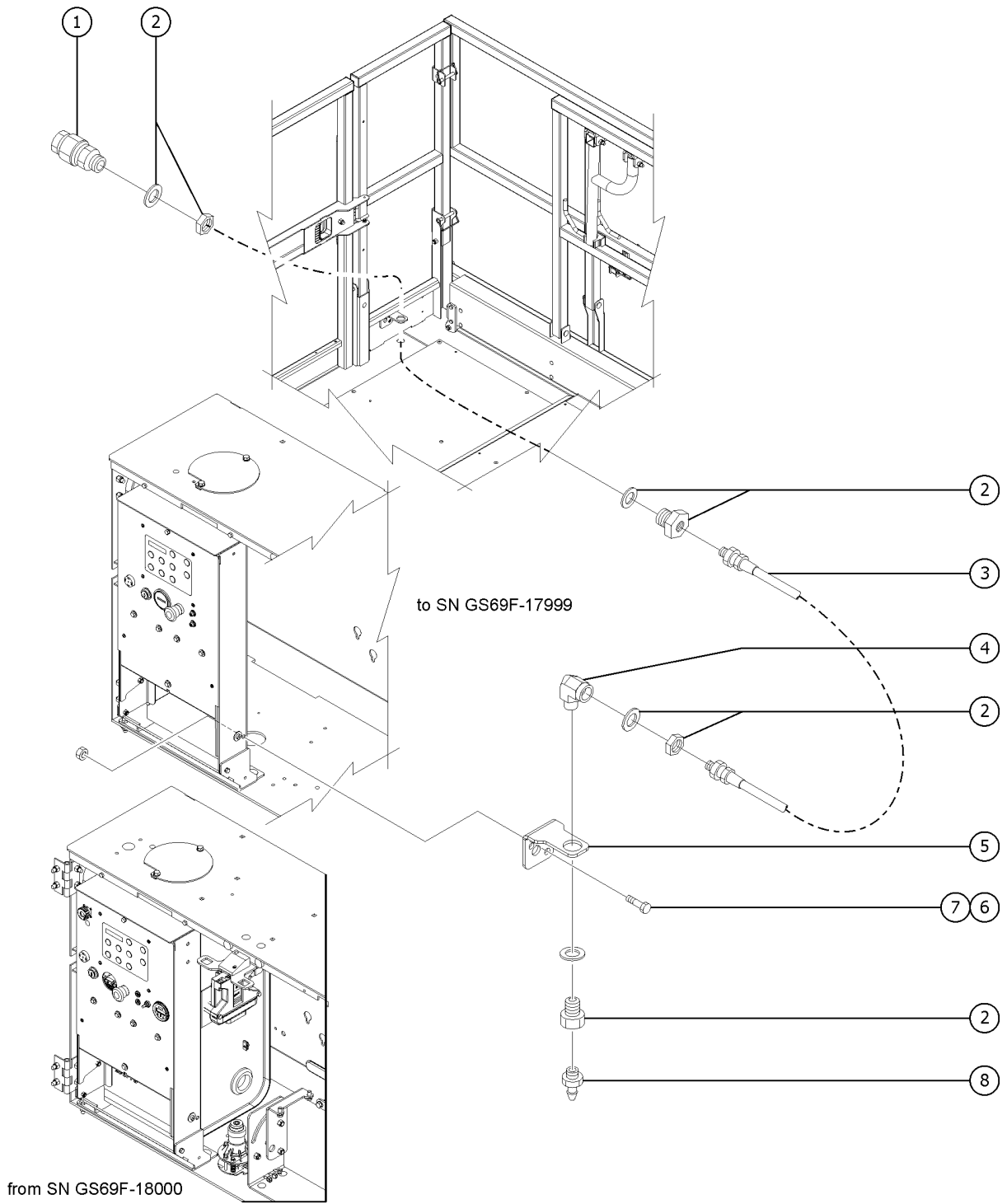
813.1 Air to Platform, GS-2669



<i>Item</i>	<i>Part No.</i>	<i>Description</i>	<i>Qty.</i>
1	27895GT	COUPLER,1/4"SERIES 3/8 MPT	1
2	27900GT	BULKHEAD,FEMALE X 6 X 6	2
3	27903GT	HOSE, LOW PRESSURE, .375 ID	676
		GS-2669 RT	
3-	27901GT	HOSE END,BARBED,RIGID,-6-6	2
4	79383GT	BRASS STREET ELBOW	1
5	1254162GT	BRACKET,AIRLINE MOUNTING	2
6	8255GT	SCREW,HHC,3/8-16 X .75	
7	4828GT	NUT, NYLOCK, 3/8-16	
8	27894GT	PLUG,1/4"SERIES,3/8 MPT	1



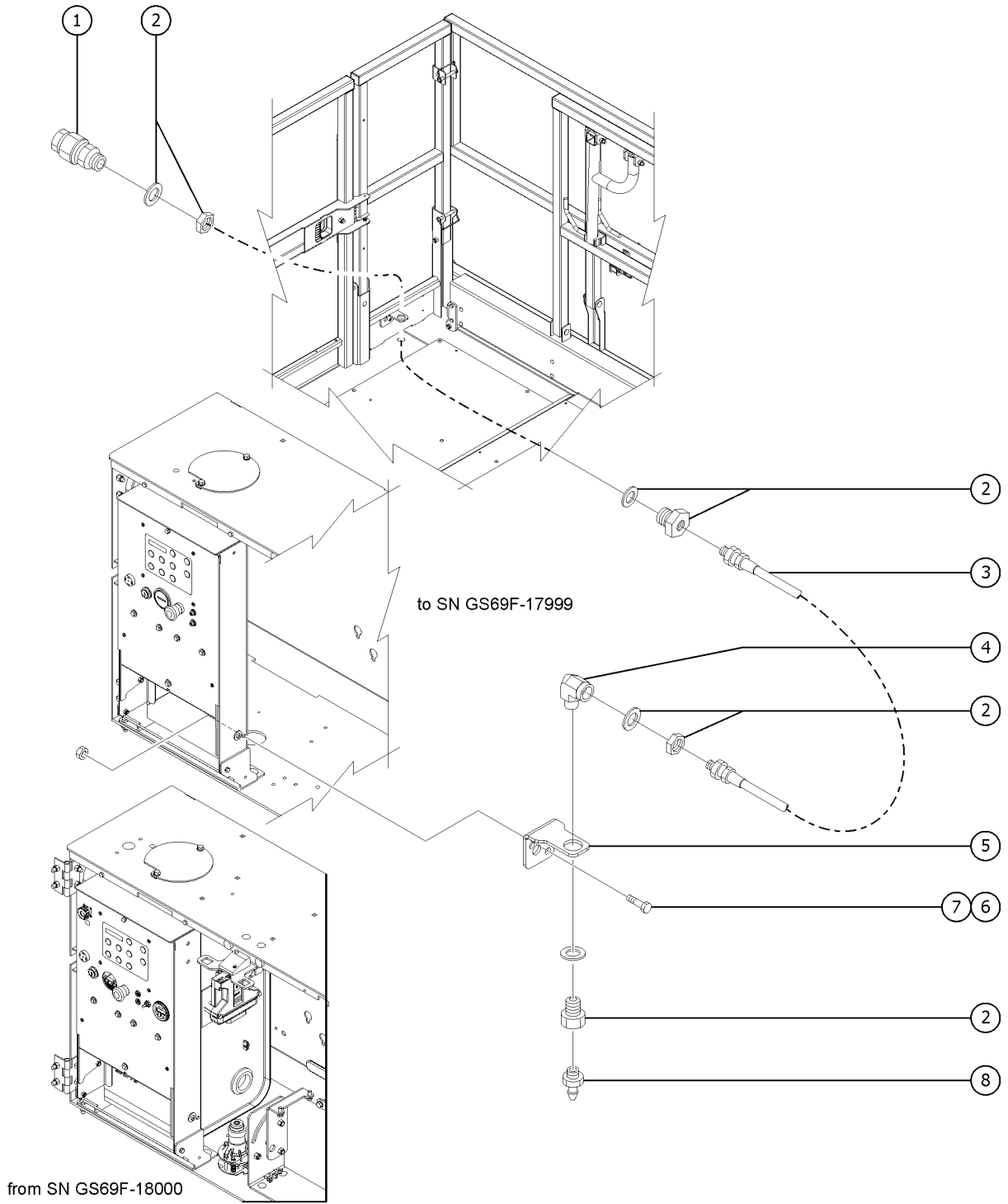
813.2 Air to Platform, GS-3369



<i>Item</i>	<i>Part No.</i>	<i>Description</i>	<i>Qty.</i>
1	27895GT	COUPLER,1/4"SERIES 3/8 MPT	1
2	27900GT	BULKHEAD,FEMALE X 6 X 6	2
3	27903GT	HOSE, LOW PRESSURE, .375 ID	790
		GS-3369 RT	
3-	27901GT	HOSE END,BARBED,RIGID,-6-6	2
4	79383GT	BRASS STREET ELBOW	1
5	47077GT	BRACKET,AIRLINE MOUNTING	2
6	8255GT	SCREW,HHC,3/8-16 X .75	
7	4828GT	NUT, NYLOCK, 3/8-16	
8	27894GT	PLUG,1/4"SERIES,3/8 MPT	1



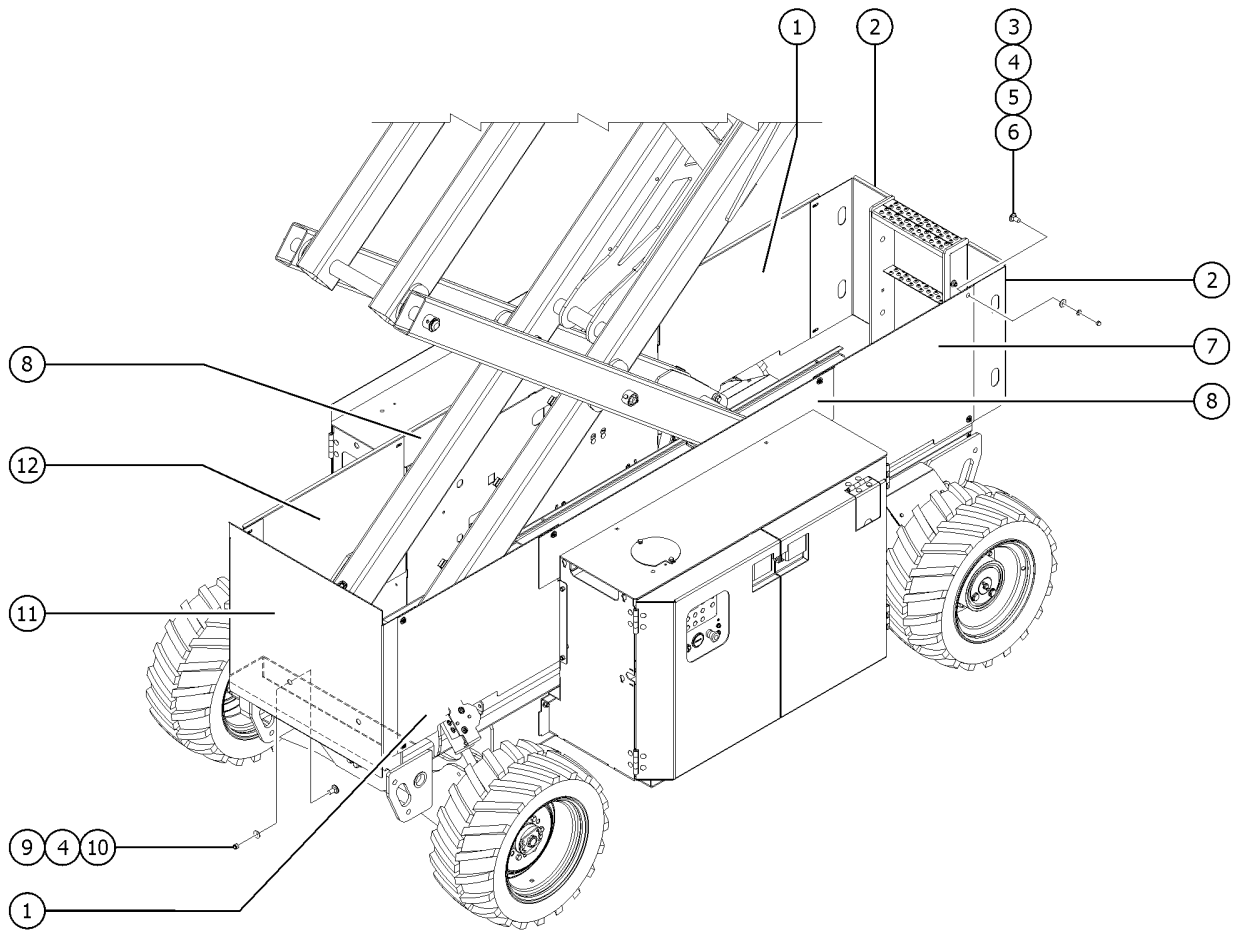
813.3 Air to Platform, GS-4069



<i>Item</i>	<i>Part No.</i>	<i>Description</i>	<i>Qty.</i>
1	27895GT	COUPLER,1/4"SERIES 3/8 MPT	1
2	27900GT	BULKHEAD,FEMALE X 6 X 6	2
3	27903GT	HOSE, LOW PRESSURE, .375 ID	900
		GS-4069 RT	
3-	27901GT	HOSE END,BARBED,RIGID,-6-6	2
4	79383GT	BRASS STREET ELBOW	1
5	47077GT	BRACKET,AIRLINE MOUNTING	2
6	8255GT	SCREW,HHC,3/8-16 X .75	
7	4828GT	NUT, NYLOCK, 3/8-16	
8	27894GT	PLUG,1/4"SERIES,3/8 MPT	1



814.1 Link Guard, CE and Australia, GS-2669

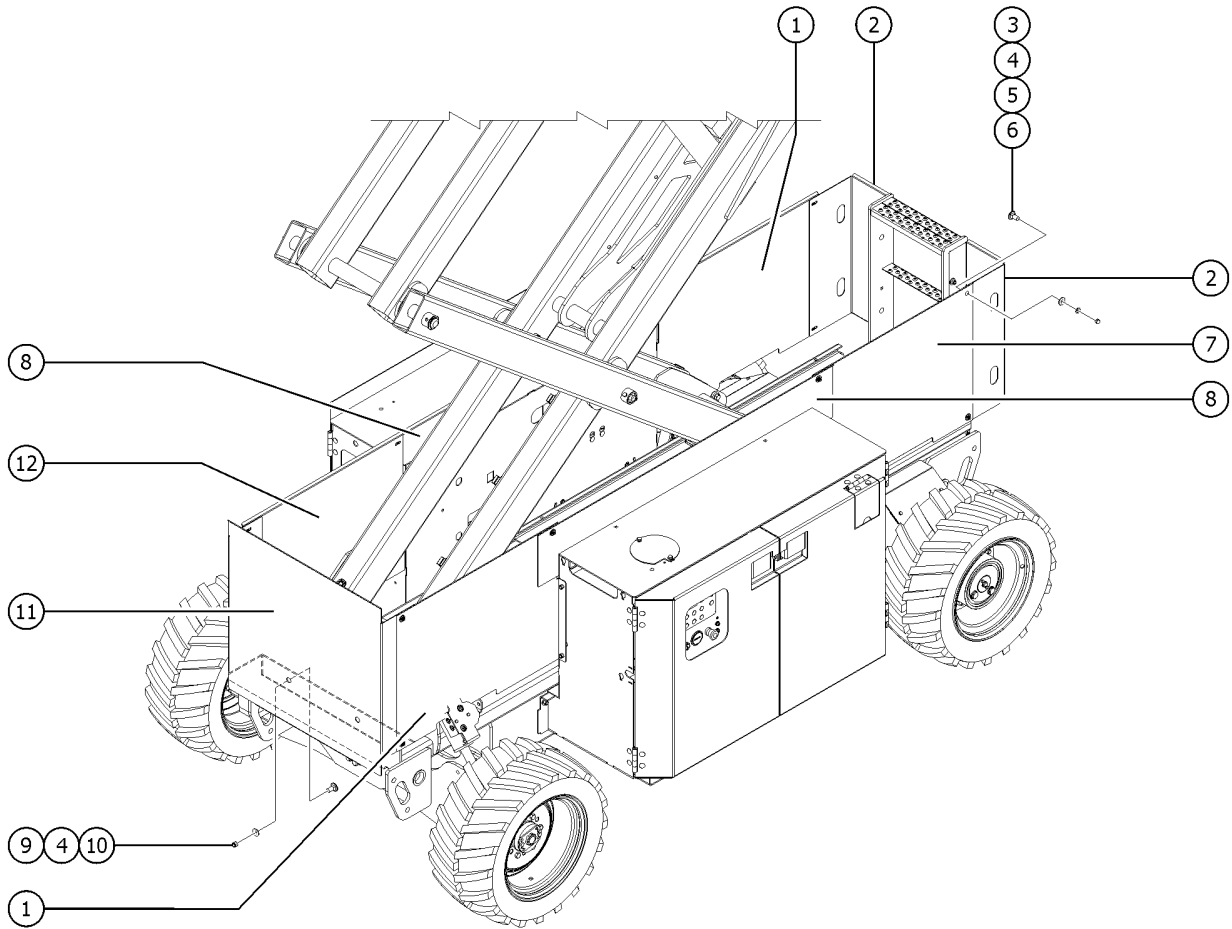


814.1 Link Guard, CE and Australia, GS-2669

Item	Part No.	Description	Qty.
1A	227768GT	FORMING, LINK GUARD, SIDE, 26/33 for GS-2669 RT & GS-3369 RT (ground controls side, front & engine side, rear)	2
2A	227713GT	FORMING, LINK GUARD, BACK, 26/33 for GS-2669 RT & GS-3369 RT	2
3	101718GT	BOLT,CARRIAGE,3/8-16 X .75,G2	
4	6097GT	WASHER, FLAT, USS, 3/8", Y	
5	6021GT	WASHER, LOCK, .375	
6	45444GT	NUT,ACORN 3/8-16 PLATED	
7A	227716GT	FORMING, LINK GUARD, SIDE, 26/33 for GS-2669 RT & GS-3369 RT without oil cooler option (ground controls side, rear)	1
7B	227714GT	FORMING,LNK GRD,SIDE,OPT,26/33 for GS-2669 RT & GS-3369 RT with oil cooler option (ground controls side, rear)	1
9	4828GT	NUT, NYLOCK, 3/8-16	
10	73466GT	BOLT,CARRIAGE,3/8-16 X 1.00,G2	
11A	227715GT	FORMING, LINK GUARD, FRONT, 26/33 for GS-2669 RT & GS-3369 RT	1
12A	227716GT	FORMING, LINK GUARD, SIDE, 26/33 for GS-2669 RT & GS-3369 RT without oil cooler option (engine side, front)	1
12B	227716GT	FORMING, LINK GUARD, SIDE, 26/33 for GS-2669 RT & GS-3369 RT with oil cooler option (engine side, front)	1



814.2 Link Guard, CE and Australia, GS-3369

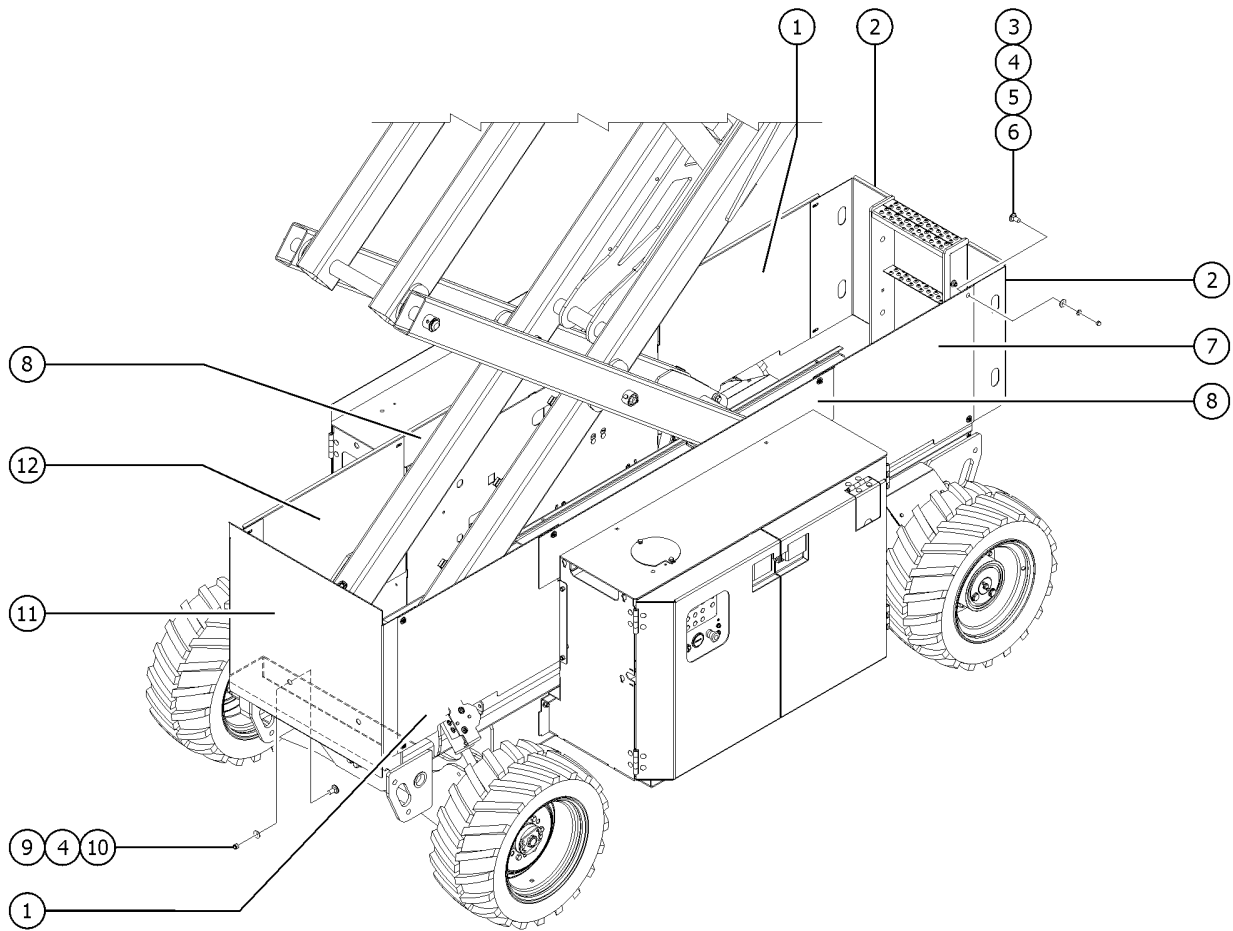


814.2 Link Guard, CE and Australia, GS-3369

Item	Part No.	Description	Qty.
1A	227768GT	FORMING, LINK GUARD, SIDE, 26/33 for GS-2669 RT & GS-3369 RT (ground controls side, front & engine side, rear)	2
3	101718GT	BOLT,CARRIAGE,3/8-16 X .75,G2	
4	6097GT	WASHER, FLAT, USS, 3/8", Y	
5	6021GT	WASHER, LOCK, .375	
6	45444GT	NUT,ACORN 3/8-16 PLATED	
7A	227716GT	FORMING, LINK GUARD, SIDE, 26/33 for GS-2669 RT & GS-3369 RT without oil cooler option (ground controls side, rear)	1
7B	227714GT	FORMING,LNK GRD SIDE,OPT,26/33 for GS-2669 RT & GS-3369 RT with oil cooler option (ground controls side, rear)	1
9	4828GT	NUT, NYLOCK, 3/8-16	
10	73466GT	BOLT,CARRIAGE,3/8-16 X 1.00,G2	
11A	227715GT	FORMING, LINK GUARD, FRONT, 26/33 for GS-2669 RT & GS-3369 RT	1
12A	227716GT	FORMING, LINK GUARD, SIDE, 26/33 for GS-2669 RT & GS-3369 RT without oil cooler option (ground controls side, front)	1
12B	227716GT	FORMING, LINK GUARD, SIDE, 26/33 for GS-2669 RT & GS-3369 RT with oil cooler option (ground controls side, front)	1



814.3 Link Guard, CE and Australia, GS-4069

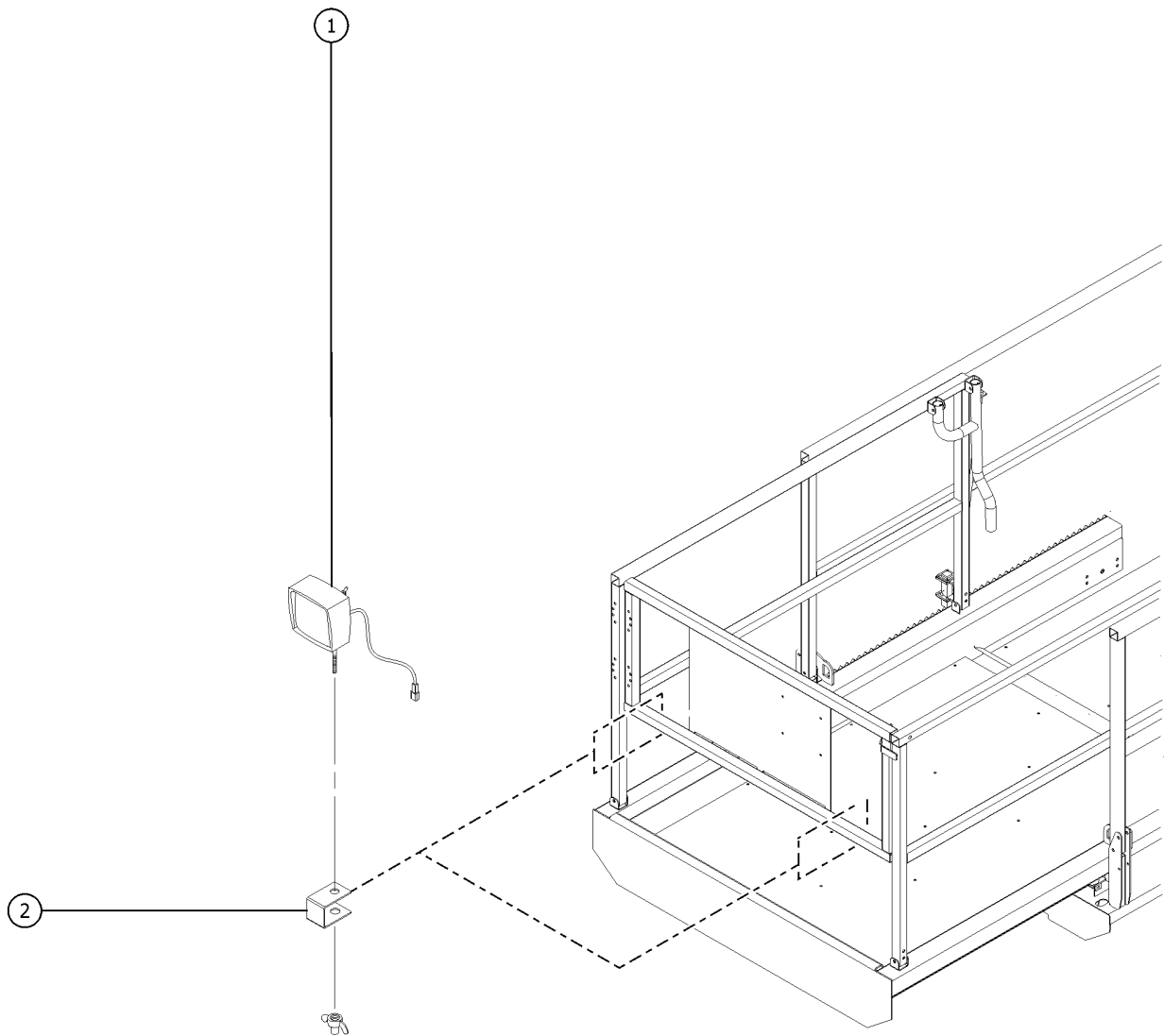


814.3 Link Guard, CE and Australia, GS-4069

Item	Part No.	Description	Qty.
1	T114354GT	FORMING, LINKGUARD, SIDE, 40 for GS-4069 RT (ground controls side, front & engine side, rear)	2
2	T114357GT	FORMING, LINKGUARD, END, 40 for GS-4069 RT (to SN GS69F-21752)	2
2B	1323170GT	FORMING, LINKGUARD, END, 40 from SN GS69F-21753	2
3	101718GT	BOLT, CARRIAGE, 3/8-16 X .75, G2	
4	6097GT	WASHER, FLAT, USS, 3/8", Y	
5	6021GT	WASHER, LOCK, .375	
6	45444GT	NUT, ACORN 3/8-16 PLATED	
7C	T114353GT	FORMING, LINKGUARD, SIDE, 40 for GS-4069 RT without oil cooler option (engine side, rear)	1
7D	227717GT	FORMING, LINK GUARD, SIDE, OPT, 40 for GS-4069 RT with oil cooler option (engine side, rear)	1
8	T114358GT	FORMING, LINKGUARD, BOXTOP for GS-4069 RT	2
9	4828GT	NUT, NYLOCK, 3/8-16	
10	73466GT	BOLT, CARRIAGE, 3/8-16 X 1.00, G2	
11	T114356GT	FORMING, LINKGUARD, SIDE, 40 for GS-4069 RT	1
12	T114353GT	FORMING, LINKGUARD, SIDE, 40 for GS-4069 RT without oil cooler option (ground controls side, front)	1
12B	T114353GT	FORMING, LINKGUARD, SIDE, 40 for GS-4069 RT with oil cooler option (ground controls side, front)	1



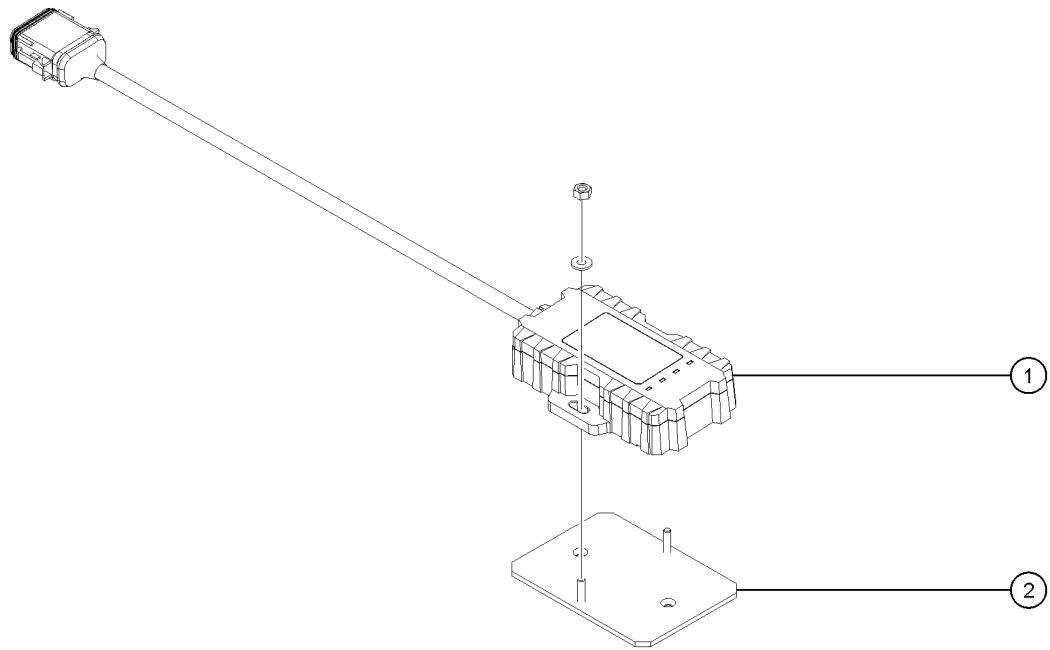
815.1 Platform Work Light



815.1 Platform Work Light

<i>Item</i>	<i>Part No.</i>	<i>Description</i>	<i>Qty.</i>
A	823041GT	WORKLIGHTS,FIELD KIT,GS-2669	1
A-	823044GT	HARNESS,GS2669 WORKLIGHTS	1
B	823042GT	WORKLIGHTS,FIELD KIT,GS-3369	1
B-	823045GT	HARNESS,GS3369 WORKLIGHTS	1
C	823043GT	WORKLIGHTS,FIELD KIT,GS-4069	1
C-	823046GT	HARNESS,GS4069 WORKLIGHTS	1
1	71498GT	WORKLIGHT, 12V, DEUTSCH RECEIPT	2
2	71382GT	BRACKET, WORK LIGHTS, OPTION	2
3	28443GT	CABLE TIE, 11.5" BLACK	
		not shown	

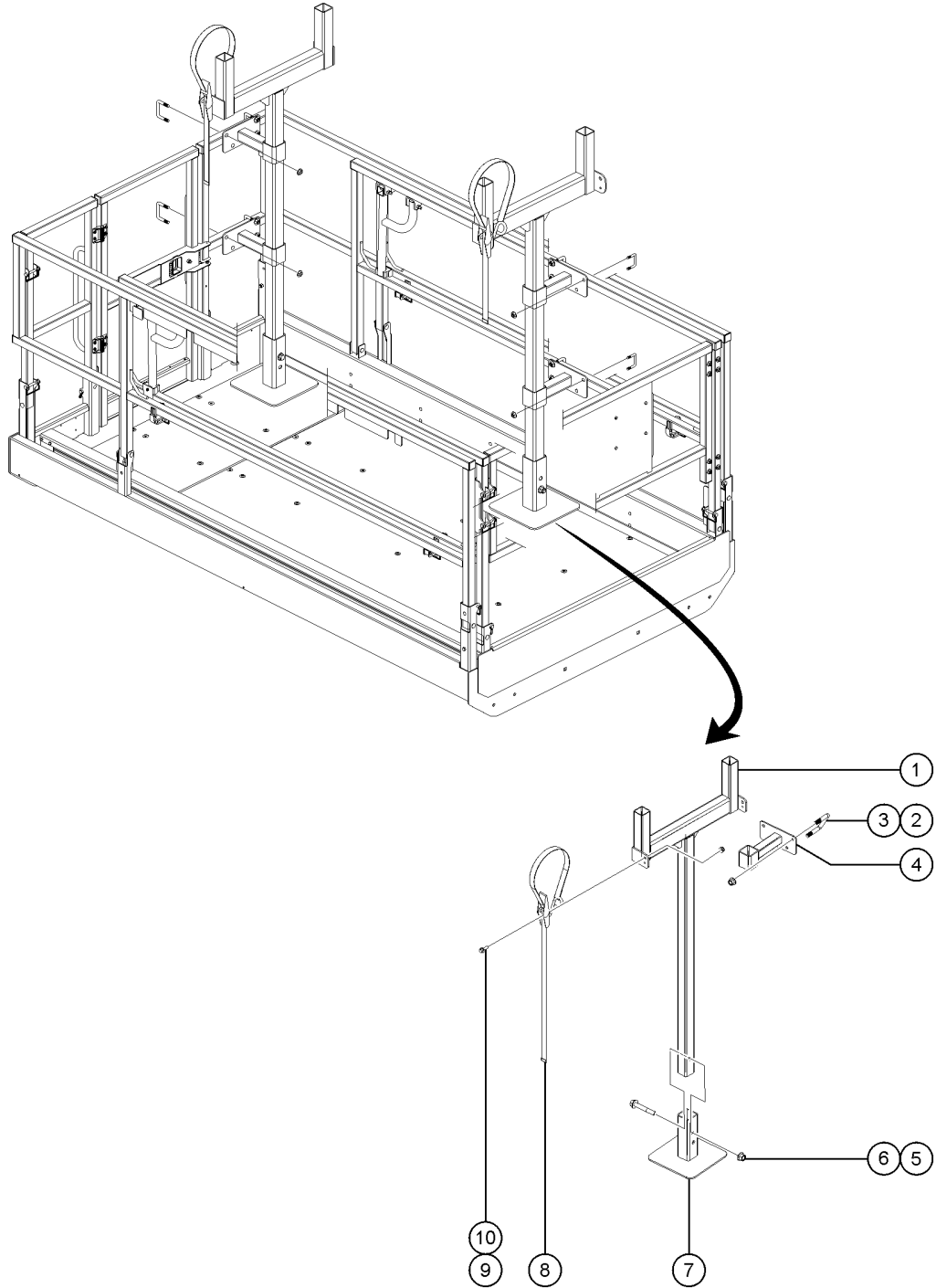




Item	Part No.	Description	Qty.
-	1293652GT	HARNESS, RETROFIT, 76" M7 for first time insulation, must order this kit with one of the models 1289520GT, 1289521GT, 1289522GT, or 1289523GT	1
-	1289899GT	HARNESS, GATEWAY, GS	
-	1293985GT	TELEMATICS, FUEL LEVEL, GS69 DIESEL	
		(fuel level, diesel)	
-	1271770GT	SENSOR, FUEL LEVEL, 30" DIESEL	
		(fuel level, diesel)	
-	1283904GT	CAN CONVERTER, 1.15 - 4.14 V RANGE	
		(fuel level, diesel)	
-	1293984GT	TELEMATICS, FUEL LEVEL, GS69 GAS	
		(fuel level, gas)	
-	1271771GT	SENSOR, FUEL LEVEL, 24" GAS	
		(fuel level, gas)	
-	1283928GT	CAN CONVERTER,1.15-4.15V RANGE	
		(fuel level, gas)	
-	1274947GT	HARNESS, FUEL SENSE, RT69	
		(fuel level, diesel & Gas)	
-	824215GT	SCREW, PHPM, 10-32 X .75, ZAG	
		(fuel level, diesel & Gas)	
-	1293347GT	BRACKET, CAN CONVERTER	
		(fuel level, diesel & Gas)	
1	1289520GT	MODULE, TELEMATICS, ZTR, M7, NORTH AMERICA	1
		North America, to SN GS69F-21464	
1B	1313592GT	MODULE, ASSY,TELEMATICS, ZTR, M7, GLOBAL	
		from SN GS69F-21465	
1C	1289521GT	MODULE, TELEMATICS, ZTR, M7, EMEA/APAC	
		EMEA/APAC	
1D	1289522GT	MODULE, TELEMATICS, ZTR, M7, APAC/ANZ	
		APAC/ANZ	
1E	1289523GT	MODULE,TELEMATICS,ZTR,M7,JAPAN	
		Japan	
2	1289561GT	BRACKET, TELEMATICS	1



817.1 Lift Tool Material Carrier

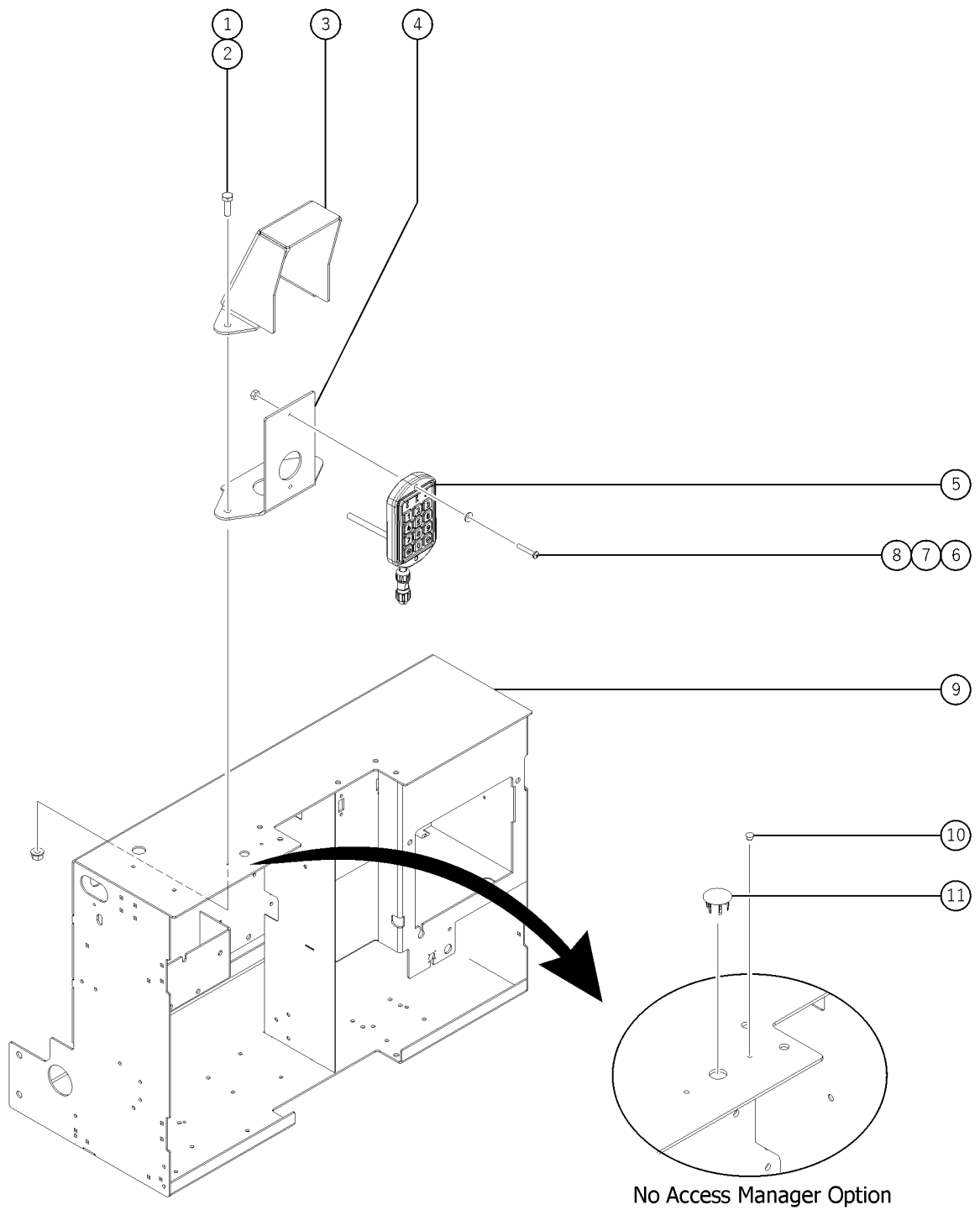


817.1 Lift Tool Material Carrier

Item	Part No.	Description	Qty.
-	1288239GT	KIT, LIFT TOOL MATERIAL CARRIER	1
-	1289762GT	ASSY, MATERIAL CARRIER POST	2
		(includes items 1 and 8-10)	
1	1288627GT	WELDMENT, MATERIAL CARRIER POST	2
2	131681GT	U-BOLT,SQR,3/8-16X2X3,PLTD	8
3	1274322GT	NUT,NYLOCK FLG,3/8-16,F,ZAG	16
4	1288628GT	WELDMENT, MATERIAL CARRIER, RAIL ATTACHMENT	4
5	1274172GT	NUT,NYLOCK FLG,1/2-13,G,ZAG	2
6	1256850GT	SCREW,HHF,1/2-13X3.25,8,ZAG	2
7	1288629GT	WELDMENT, MATERIAL CARRIER, BASE	2
8	1288205GT	STRAPS, RATCHET	2
9	824078GT	SCREW,HHF,1/4-20X.75,8,ZAG	2
10	1277924GT	NUT,NYLOCK FLG,1/4-20,F,ZAG	2



818.1 Access Manager Option



818.1 Access Manager Option

Item	Part No.	Description	Qty.
1	1262432GT	SCREW,HHC,1/4-20X.875,8,ZAG	2
2	824027GT	NUT, TL FLG, 1/4-20, G, ZAG	2
3	1302078GT	FORMING, KEYPAD, RT, COVER	1
4	1302079GT	FORMING, KEYPAD, RT, MOUNT	1
5	1296895GT	KEYPAD, ACCESS MANAGEMENT, LIFT CONNECT	1
6	1258189GT	SCREW,PHPM,8-32X1,ZAG	2
7	1257390GT	WASHER,FLAT,#8,SAE,ZAG	2
8	1271081GT	NUT,NYLOCK,8-32,8,ZAG	2
9		Ref. controls tray	
		(refer to 401.1)	
10	215915GT	PLUG, NYLON, .281"	2
11	219471GT	CAP PLUG,PLASTIC,1.0" DIA,<.375"THK	1
		to SN GS69F-21114	
11B	1323276GT	PLUG,PLASTIC,10-14GA ID,.5"THK	1
		from SN GS69F-21115	



<u>Part no.</u>	<u>Page Number</u>	<u>Part no.</u>	<u>Page Number</u>	<u>Part no.</u>	<u>Page Number</u>
1268GT	13	8179GT	305	24514GT	249
1484GT	13	8255GT	97, 105, 111, 109, 191, 199	25388GT	253, 257, 261
4266GT	169, 227, 241	8516GT	115, 115, 155, 147, 151	25817GT	95
4828GT	99, 105, 111, 113, 115, 117...	8914GT	251	25926GT	137
5224GT	245, 315	8915GT	139	25929GT	119, 141
5365GT	103, 109	10107GT	147, 151	27089GT	125
5397GT	155, 141, 147, 151, 169	10258GT	311	27581GT	13
6002GT	121, 245	10775GT	175, 253, 257, 261	27894GT	325, 327, 329
6019GT	155, 109, 175, 201, 229, 299	10777GT	253, 257, 261	27895GT	325, 327, 329
6021GT	169, 201, 331, 335, 335	11335GT	191	27900GT	325, 327, 329
6033GT	139, 143	13000GT	135, 299	27901GT	325, 327, 329
6090GT	101, 107, 113, 115, 125, 137...	13002GT	299	27903GT	325, 327, 329
6091GT	107, 137, 157, 147, 151, 153...	13022GT	135	28092GT	123
6095GT	151, 153, 145, 155, 215, 223...	13064GT	105, 111	28158GT	23, 33, 41, 51, 59, 69...
6096GT	113, 113, 211, 221, 229, 311	13585GT	175, 253, 257, 261	28159GT	23, 33, 41, 51, 59, 69...
6097GT	99, 103, 111, 113, 115, 147...	13597GT	253, 255	28160GT	19, 31, 39, 49, 57, 67...
6146GT	193	13854GT	199, 299	28174GT	23, 27, 29, 33, 35, 37...
6175GT	129, 145, 157, 199, 239, 247	13918GT	99	28175GT	19, 23, 39, 41, 57, 59
6178GT	135, 175, 193	14033GT	211, 215, 217, 219, 225, 227	28176GT	27, 29, 45, 47, 63, 65
6198GT	95, 115, 115, 145, 155, 167...	14392GT	201	28235GT	23, 27, 29, 33, 35, 37...
6326GT	215, 217, 225, 251, 299, 321	18383GT	211, 215, 217, 219, 225, 227	28236GT	27, 29, 45, 47, 63, 65...
6356GT	175, 305	18503GT	135, 145	28373FRGT	75
6595GT	253, 257, 261	18540GT	103, 109	28373GT	19, 23, 39, 41, 57, 59...
6605GT	133	18605GT	105, 109, 117, 213, 221, 231...	28443GT	337
6606GT	135	19440GT	95	28646GT	321
6626GT	253, 257, 261	19506GT	195	28853GT	309
6637GT	97, 237, 311	20224GT	271	29080GT	237, 245
6638GT	97, 115, 115, 125, 157, 153...	20780GT	125	29447GT	169
6700GT	131, 145, 193	20912GT	101, 107	29868GT	105, 109, 201, 247, 299, 313...
6708GT	237, 245	21019GT	137	30348GT	145
6714GT	315, 317	21130GT	125, 139	30434GT	213, 223, 231
6782GT	127, 155, 147, 151, 175, 247...	21465GT	141	30973GT	121
6873GT	175	22446GT	241	31060FRGT	75
6878GT	147, 151, 155, 107, 195, 201...	22672GT	129	31060GT	19, 39, 57, 75
6886GT	137	22676GT	135	31379GT	125, 139
6888GT	125, 193	22700 GT	245	31506GT	173
6889GT	215, 219, 227, 229, 241, 245...	22700GT	135	31658GT	175, 179
7056GT	175, 253, 257, 261	22788GT	115, 115, 211, 221, 229	31788FRGT	75
7127GT	253, 257, 261	22903GT	119	31788GT	19, 39, 57, 75
7339GT	99	22934GT	119, 121	32064GT	157
7713GT	101, 107, 117, 109, 191, 199...	23061GT	133	32069GT	121
8178GT	241, 245	24037GT	133	32077GT	121



<u>Part no.</u>	<u>Page Number</u>	<u>Part no.</u>	<u>Page Number</u>	<u>Part no.</u>	<u>Page Number</u>
32103GT	125	43392GT	201	47312GT	95
32150GT	13	43618GT	27, 29, 35, 37, 45, 47...	47478GT	237, 245, 249
32151GT	13	43700GT	129	47793GT	241
32182GT	125	43956GT	253, 257, 261	48425GT	245, 249
32185GT	121, 133	44174GT	209, 211, 213, 211, 319	48846GT	305
32189GT	119	44175GT	319	48875GT	303, 323
32191GT	119	44181GT	125	48880GT	271
32192GT	119	44191GT	119	48883GT	291
32194GT	119	44192GT	119	48892GT	323
32199GT	121	44193GT	119	48905GT	101, 107, 281, 289, 293, 323
32200GT	121	44196GT	127	48909GT	97, 289, 293, 323
32205GT	133	44197GT	127	48911GT	97, 291
33418GT	133	44198GT	127	48912GT	97, 291, 293
33550GT	247	44201GT	125	48915GT	289, 293, 323
33629GT	255, 259, 263	44202GT	125	48916GT	203, 203, 201, 209, 323
33724GT	253, 257, 261	44203GT	129	48929GT	293
33987GT	103, 109	44204GT	129	48930GT	101, 107, 323
34052GT	193, 305	44224GT	269, 271	48933GT	291, 293, 303, 323
34053GT	197, 305	44227GT	269, 271, 283, 285	48943GT	95, 293
34211GT	179	44228GT	269, 271, 275	48947GT	289, 293, 303
34955GT	141	44230GT	275, 319	48948GT	101, 107, 289
35418GT	125, 127, 141	44255GT	19, 23, 39, 41, 57, 59	48960GT	289, 293, 305, 307
35434GT	137, 147, 151	44733GT	191	48961GT	289
35461GT	117, 213, 221, 231	44736GT	27, 29, 45, 47, 63, 65...	48983GT	289
35706GT	247	44743GT	249	48984GT	289
36294GT	195	44780GT	95	48997GT	271, 279, 289, 293
36872GT	167	44782GT	95	49000GT	199
36878GT	257, 261	44909GT	133, 179, 181, 183, 187	49117GT	293
37947GT	195	44936GT	315, 317	49379GT	137
38016GT	247	44981GT	23, 27, 29, 33, 35, 37...	49408GT	119
38028GT	237	45384GT	201	49612GT	269
38149GT	23, 33, 41, 51, 59, 69...	45435GT	129, 147, 151, 167	49613GT	13, 269
38979GT	179	45437GT	253, 257, 261	49772GT	245
39127GT	229	45444GT	331, 333, 335	49816GT	193
39540GT	195	45454GT	193, 199	49818GT	195
39882GT	281	45470GT	253, 257, 261, 299	49819GT	193
40265GT	245	45708GT	167	49821GT	117, 213, 221, 231
40434GT	27, 29, 35, 37, 45, 47...	46131GT	179, 183, 187	49857GT	95
42360GT	95	46718GT	305	49861GT	303
42489GT	309	47077GT	327, 329	51428GT	311
42662GT	153	47230GT	199, 239, 247	51474GT	105, 109, 153
42767GT	15, 139	47238GT	311	51580GT	303



<u>Part no.</u>	<u>Page Number</u>	<u>Part no.</u>	<u>Page Number</u>	<u>Part no.</u>	<u>Page Number</u>
51735GT	157	58486GT	191	71382GT	337
51738GT	133	58592GT	101	71484GT	177
51814GT	321	59568GT	315	71498GT	337
52371GT	269, 271, 275, 277	60334GT	169	71508GT	117
52374GT	269	60585GT	137	71909GT	139
52377GT	275, 277	60790GT	113, 115, 153	71912GT	313, 317
52378GT	271, 275, 277	60857GT	13, 169	71925GT	321
52420GT	129, 147, 151, 167	61225GT	135	72086FRGT	75
52475FRGT	75	61741GT	127	72086GT	19, 23, 31, 33, 39, 41...
52475GT	19, 23, 31, 33, 39, 41...	62117GT	127	72097GT	321
52494GT	27, 29, 45, 47, 63, 65...	62118GT	127	72186FRGT	75
52531GT	121	62119GT	125	72186GT	19, 23, 39, 41, 57, 59...
52532GT	119	62160GT	119, 141, 157	72326GT	265
52533GT	119	62164GT	265	72343GT	143
52834GT	125	62207GT	279	72348GT	139
52865GT	23, 41, 59, 79	62296GT	129	73466GT	299, 331, 333, 335
52867GT	15, 141, 147, 151	62337GT	271	73736GT	195
52897GT	275, 277	62339GT	271	73803GT	195
52902GT	271	62341GT	269, 279	74006GT	175
52907GT	269, 279	62346GT	269	74389GT	95
52910GT	275	62421GT	15, 139	75175GT	139
52967GT	19, 23, 31, 33, 39, 41...	62815GT	269, 271	75260GT	169
53023GT	173, 183, 187	63375GT	175	75854GT	305
53452GT	95	64154GT	117, 167, 169, 177, 191, 201...	75855GT	305
53500GT	281	65837GT	119	77402GT	139
53605GT	199	65853GT	13, 125	77692GT	157, 181
54332GT	121	66030GT	239, 241, 245, 249	77750GT	15, 181, 185, 189
54436GT	111	66353GT	175, 255, 259, 263	78038GT	199
54534GT	193	66355GT	175, 253, 257, 261	78674GT	177
54556GT	139	66356GT	255, 259, 263	78736GT	101, 215, 219, 227, 229
54627GT	101, 107	66399GT	13	78903GT	267
55089GT	255	66717GT	175	78903HGT	267
55484GT	321	66812GT	195, 265	79015GT	305
55485GT	321	66817GT	195, 265	79090GT	247
55517GT	201, 249	66818GT	195, 265	79355GT	237, 241, 245, 247
55558GT	283, 285	67387GT	99, 169	79383GT	325, 327, 329
55559GT	285	67504GT	193, 205, 305	79456GT	139, 157
55675GT	201	67933GT	321	79831GT	321
55682GT	321	69864GT	193, 205	81329GT	201
56912GT	97, 101, 107, 113, 115, 169...	71259GT	305	81578GT	117
56949GT	125, 139	71315GT	239, 247	82240GT	31, 49, 67, 85
57075GT	177, 253, 257, 261	71376GT	237	82366GT	23, 41, 59, 79



<u>Part no.</u>	<u>Page Number</u>	<u>Part no.</u>	<u>Page Number</u>	<u>Part no.</u>	<u>Page Number</u>
82418GT	23, 33, 41, 51, 59, 69...	87675GT	247	99268GT	247
82473GT	31, 33, 49, 51, 67, 69	87684GT	101, 107, 167, 191	99346GT	117, 191
82474GT	31, 33, 49, 51, 67, 69...	87854GT	133	99882GT	129
82475GT	31, 33, 49, 51, 67, 69...	87918GT	129, 157	101067GT	279
82476GT	31, 33, 49, 51, 67, 69...	88296GT	101, 107	101200GT	121
82481GT	31, 49, 67, 85	88827GT	195	101201GT	121
82487GT	33, 35, 37, 51, 53, 55...	94232GT	143	101202GT	129
82557GT	27, 29, 45, 47, 63, 65...	94239GT	141	101203GT	121
82558GT	19, 23, 39, 41, 57, 59	94240GT	143	101204GT	129
82560GT	31, 33, 49, 51, 67, 69...	94242GT	143	101208GT	121
82561FRGT	75	94243GT	145	101209GT	121
82561GT	19, 23, 39, 41, 57, 59...	94244GT	137	101318GT	143
82562GT	31, 33, 49, 51, 67, 69...	94532GT	133, 137	101319GT	145
82666FRGT	77	94688GT	129, 143	101320GT	139
82666GT	31, 33, 49, 51, 67, 69...	94762GT	15, 139	101322GT	145
82793GT	23, 41, 59, 79	94784GT	143	101324GT	145
83093GT	195	96008-SGT	195	101341GT	145
83131GT	195	96009GT	195	101586GT	101, 107
84109GT	319	96010GT	193	101718GT	331, 333, 335
84812GT	137	96203GT	107, 111, 115, 191, 215, 223...	102158GT	101, 103, 107, 109
84813GT	137	96236GT	175, 255, 259, 263	102395GT	275
84814GT	137	96320GT	103, 109	102396GT	275
85051GT	129	96541GT	189	102685GT	279
85071GT	15, 145	96699GT	297	104235GT	143, 153
85143GT	143	96905GT	101, 215, 219, 221, 229	104366GT	129
85155GT	139	96977GT	113, 115, 211, 215, 221, 229...	104571GT	203
85197GT	129, 157	97013GT	267	104759GT	209, 211, 215, 217, 283, 285
87002GT	313	97014GT	267	104760GT	275, 277, 319
87033GT	289	97015GT	267	104764GT	275
87070GT	173	97187GT	273, 275, 279	104804GT	243
87075GT	191	97368GT	275	104935GT	283, 285
87193GT	253, 257, 261	97372GT	269	105092GT	105, 111, 183, 187, 317
87320-SGT	241	97473GT	145	105108GT	267
87475GT	241	97602FRGT	75	105109GT	267
87523GT	239	97602GT	19, 39, 57, 75	105171GT	267
87566GT	265	97719GT	23, 33, 41, 51, 59, 69...	105172GT	267
87567GT	265	99089GT	193	105662GT	265
87568GT	237	99097GT	167	105692GT	313
87570GT	247	99163GT	265	105695GT	279
87571GT	247	99164GT	265	106098GT	101, 107
87584GT	125, 155	99199GT	127	106117GT	101, 103, 107, 109
87645GT	249	99267GT	249	106118GT	101, 103, 107, 109



<u>Part no.</u>	<u>Page Number</u>	<u>Part no.</u>	<u>Page Number</u>	<u>Part no.</u>	<u>Page Number</u>
106134GT	101, 107	119685GT	141, 147, 151	131921GT	285
107578GT	105	119918GT	183, 187	131945GT	119
111819GT	181	121422GT	169	131972GT	313, 317
112076GT	225, 233, 235	122994GT	193	133278GT	23, 41, 59, 79
112099GT	213, 221, 231	124576GT	245	133537GT	35, 37, 53, 55, 71, 73...
112100GT	213, 223, 231	128085GT	281	139230GT	135
112115GT	211, 221, 229	128200GT	195	139249GT	19, 39, 57, 75
112116GT	211, 221, 229	128328GT	133	139251GT	137
112121GT	211, 221, 229	131323GT	173	139270GT	137
112127GT	233	131372GT	129, 147, 151	139272GT	137
112134GT	235	131373GT	133	139273GT	119, 129
112350GT	213, 221, 229, 231	131378GT	119	139274GT	129
112375GT	211, 221, 229	131379GT	13	139277GT	133
112476GT	101, 107, 245, 247	131416GT	237	139278GT	123
112512GT	105, 111	131427GT	135	139279GT	119
112531GT	133	131428GT	321	139280GT	119
112537GT	321	131484GT	129	139282GT	119
112543GT	241	131581GT	133, 137	139877GT	289
112572GT	105, 111	131587GT	19, 39, 57	139953GT	301
112703GT	233, 235, 239, 245	131616GT	95	139954GT	301
112708GT	213, 235, 253	131621GT	281	139966GT	103, 109
112772GT	253, 257, 261	131639GT	105, 109	139967GT	103, 109
112929GT	143, 153	131658GT	13, 173	139968GT	103, 109
112946GT	143, 153	131661GT	13	139969GT	103, 109
114202GT	19, 23, 31, 33, 39, 41...	131662GT	13	139970GT	103, 109
114251GT	33, 51, 69, 87	131664GT	143	139971GT	103, 109
114258GT	23, 41, 59, 79	131665GT	143	144065GT	265
114337GT	31, 49, 67, 85	131681GT	341	144161GT	253, 257, 261
114338GT	35, 37, 53, 55, 71, 73...	131735GT	249	146550GT	179
114371GT	35, 37, 53, 55, 71, 73...	131741GT	249	147033GT	103, 109
114385GT	19, 23, 39, 41, 57, 59	131742GT	249	147034GT	103, 109
114386GT	23, 27, 29, 41, 45, 47...	131743GT	247	147090GT	195
115206GT	271	131744GT	237	147091GT	195
115402GT	281	131745GT	237	147228GT	301
115431GT	133, 137	131746GT	241, 245	147229GT	301
116503GT	121	131747GT	241	147230GT	301
116523GT	121	131749GT	237, 247	147231GT	301
117773GT	305	131751GT	249	147232GT	301
119067GT	301	131778GT	173	147233GT	301
119218GT	153, 155	131813GT	135, 139, 169	147239GT	301
119620GT	283, 285	131874GT	233	147241GT	301
119684GT	15, 141, 147, 151	131920GT	283, 285	147242GT	301

<u>Part no.</u>	<u>Page Number</u>	<u>Part no.</u>	<u>Page Number</u>	<u>Part no.</u>	<u>Page Number</u>
147258GT	301	148416GT	119, 139	227458GT	295
147262GT	301	148422GT	251	227459GT	293
147419GT	289	148426GT	95	227460GT	293
148000GT	313	148433GT	211, 217, 225	227461GT	293
148001GT	313	148434GT	215, 217, 225	227462GT	289, 293
148005GT	193	148444GT	179, 181	227463GT	293
148008GT	169	148459GT	201	227464GT	291, 293
148024GT	313	160566GT	203	227465GT	291, 293
148027GT	313, 317	160739GT	311	227466GT	291
148044GT	313, 317	160740GT	311	227467GT	291
148046GT	311	160744GT	311	227468GT	291
148068GT	203	160905GT	205, 209	227469GT	291
148069GT	203	160906GT	205, 209	227470GT	291
148070GT	203	160907GT	205, 209	227471GT	289
148072GT	205, 207	161213GT	203, 207	227472GT	289
148074GT	205, 207	161214GT	205, 207	227473GT	289
148077GT	205, 209	162455GT	123	227474GT	289
148078GT	205	162456GT	123	227475GT	129
148079GT	203, 207	162459GT	143	227476GT	131, 289
148080GT	203, 207	162460GT	143	227477GT	289
148081GT	203, 207	162461GT	143	227478GT	287
148082GT	203, 207	214725GT	83	227479GT	287
148083GT	203, 207	214817GT	283, 285	227480GT	307
148084GT	203, 207	215229GT	173	227481GT	307
148088GT	203, 207	215378GT	179, 183, 187	227482GT	303
148089GT	205, 209	215398GT	83, 91	227483GT	303
148090GT	203, 207	215399GT	83, 91	227484GT	303
148091GT	203, 207	215406GT	83, 91	227485GT	303
148093GT	205	215475GT	299	227486GT	323
148099GT	121	215915GT	343	227487GT	323
148109GT	141	218523GT	185	227489GT	323
148210GT	205, 207	218790GT	185	227490GT	323
148236GT	105, 109, 213, 221, 231	219112GT	201	227491GT	323
148329GT	311	219210GT	129, 143, 157	227492GT	281
148353GT	95	219437GT	135, 145	227598GT	295
148389GT	179	219471GT	343	227599GT	295
148394GT	155, 167	220237GT	117	227600GT	295
148396GT	97	226378GT	283, 285	227601GT	293
148403GT	113, 115	226379GT	285	227602GT	293
148409GT	311	226380GT	281	227603GT	293
148410GT	311	226381GT	321	227604GT	293
148414GT	203, 207	226802GT	245	227605GT	293



<u>Part no.</u>	<u>Page Number</u>	<u>Part no.</u>	<u>Page Number</u>	<u>Part no.</u>	<u>Page Number</u>
227606GT	293	229668GT	141	232536GT	115
227607GT	293	229740GT	175	232537GT	115
227608GT	293	229761GT	13	232845GT	193
227609GT	291	229771GT	169	233039GT	19
227610GT	291	229827FRGT	75	233040GT	31
227611GT	289	229827GT	19, 39, 57, 75	233041GT	103, 109
227612GT	289	229828GT	31, 49, 67, 85	233042GT	39
227613GT	289	229835GT	19, 25, 39, 43, 57, 61	233043GT	57
227614GT	287, 293	229871GT	19, 39, 57, 75	233044GT	19
227713GT	331	229915GT	27, 29, 45, 47, 63, 65...	233045GT	39
227714GT	331, 333	229916GT	27, 45, 63	233046GT	57
227715GT	331, 333	230489GT	37	233047GT	19
227716GT	331, 333	230490GT	47, 55	233048GT	39
227717GT	335	230491GT	73	233799GT	57
227720GT	303	230492GT	35	233800GT	19
227724GT	323	230493GT	53	233801GT	39
227726GT	323	230494GT	71	233802GT	57
227728GT	323	230803GT	29, 47, 65	233821GT	167
227730GT	323	230804GT	19, 25, 39, 43, 57, 61	233822GT	133, 137
227732GT	323	230805GT	37	233823GT	167
227735GT	323	230806GT	55	233824GT	167
227738GT	323	230807GT	73	233943GT	179, 183, 187
227740GT	323	230808GT	27, 29, 35, 37, 45, 47...	233948GT	139
227742GT	323	230809GT	35	233949GT	139
227768GT	331, 333	230810GT	53	233954GT	49
228103GT	215, 219, 227, 229	230811GT	71	233955GT	67
228327GT	27, 29, 35, 37, 83, 91	230849GT	103, 109	233956GT	31
228328GT	45, 47, 53, 55, 83, 91	230850GT	177	233957GT	49
228329GT	63, 65, 71, 73, 83, 91	230858GT	283, 285	233958GT	67
228407GT	23, 33, 41, 51, 59, 69	230983GT	269	233959GT	31
228458GT	143	231083GT	247, 265	233960GT	49
228698GT	135	231084GT	193	233961GT	67
228974GT	119, 139	231092GT	269, 271	233962GT	31
229079GT	279	231226GT	133	233963GT	49
229291GT	193	231227GT	133	233964GT	67
229305GT	289	231231GT	121	234598GT	269
229427GT	19, 23, 31, 33, 39, 41...	231232GT	121	234599GT	269
229430GT	29	231233GT	13	234600GT	269
229431GT	47	231251GT	237	234601GT	269
229432GT	65	231529GT	157	234602GT	269
229435GT	193	231532GT	153	234603GT	269
229625GT	289	231929GT	121	234604GT	271



<u>Part no.</u>	<u>Page Number</u>	<u>Part no.</u>	<u>Page Number</u>	<u>Part no.</u>	<u>Page Number</u>
234605GT	271	235176GT	233	826638GT	19, 75
234606GT	271	235177GT	235	832128GT	119
234607GT	271	235178GT	235	839109GT	133
234608GT	271	235179GT	233	839119GT	127
234609GT	271	235180GT	235	839149GT	125
234610GT	271	235181GT	235	839151GT	119
234611GT	271, 279	235331GT	237	839190GT	119, 121
234613GT	269	235332GT	237	839209GT	121
234769GT	275	236007GT	125	839233GT	125
234770GT	275	236045GT	139	865100GT	127
234771GT	275	236046GT	139	865257GT	127
234772GT	275, 279	236095GT	13, 129	866040GT	127
234773GT	275	236426GT	137	866050GT	13, 121
234774GT	275	237340GT	95, 105, 111	866070GT	125
234775GT	279	823041GT	337	866101GT	119
234776GT	279	823042GT	337	1251757GT	173, 179, 183, 187
234777GT	277	823043GT	337	1252978GT	241
234842GT	121	823044GT	337	1253349GT	201
234843GT	121	823045GT	337	1253353GT	201
234844GT	121	823046GT	337	1253355GT	201
234845GT	133	823113GT	75, 79, 85, 87	1253422GT	201
234846GT	133	823341GT	265	1253423GT	201
234847GT	133	824027GT	297, 343	1253424GT	201
234848GT	135	824059GT	247	1253425GT	201
234867GT	125	824067GT	239	1253426GT	191
235089GT	313	824068GT	317	1253427GT	167
235090GT	247	824077GT	173, 183, 187	1253479GT	201
235091GT	313	824078GT	173, 183, 187, 341	1253485GT	241
235092GT	215	824080GT	189	1254068GT	323
235093GT	215	824082GT	237	1254107GT	129
235094GT	215	824089GT	173, 183, 187	1254108GT	135
235097GT	249	824092GT	185, 189	1254109GT	135
235098GT	249	824094GT	237, 241, 247	1254110GT	135
235099GT	249	824095GT	251	1254111GT	135
235100GT	249	824124GT	317	1254112GT	167
235122GT	229	824125GT	215, 219, 227	1254113GT	127
235170GT	233	824144GT	129	1254115GT	135
235171GT	235	824145GT	131	1254116GT	135
235172GT	235	824215GT	241, 339	1254117GT	139
235173GT	233	825187GT	265	1254126GT	199
235174GT	235	825796GT	211, 213, 217, 219, 225, 227	1254129GT	137
235175GT	235	826516GT	313	1254130GT	143



<u>Part no.</u>	<u>Page Number</u>	<u>Part no.</u>	<u>Page Number</u>	<u>Part no.</u>	<u>Page Number</u>
1254131GT	137	1254420GT	169	1256850GT	341
1254132GT	137	1254421GT	167	1257390GT	343
1254133GT	137	1254424GT	135	1257733GT	13
1254134GT	167	1254425GT	131	1258189GT	343
1254135GT	139	1254427GT	201	1258567GT	13
1254138GT	199	1254428GT	201	1258624GT	103, 107
1254140GT	199	1254436GT	115	1258625GT	103, 107
1254162GT	325	1254437GT	101	1258626GT	95
1254163GT	299	1254440GT	175	1258627GT	95
1254164GT	299	1254441GT	193	1258628GT	103, 107
1254165GT	299	1254443GT	191	1258629GT	103, 109
1254166GT	175	1254444GT	191	1258630GT	95
1254167GT	305	1254445GT	191	1258631GT	95
1254168GT	305	1254446GT	191	1258749GT	103, 107
1254170GT	117	1254462GT	115	1258750GT	103, 107
1254174GT	113, 115	1254572GT	297	1258751GT	95
1254175GT	101, 107	1254823GT	143	1258752GT	95
1254176GT	101, 107	1255452GT	97, 99, 105, 111, 169	1258753GT	103, 109
1254177GT	105, 109	1255757GT	317	1258754GT	103, 109
1254178GT	101, 107	1255758GT	153	1258755GT	95
1254180GT	97	1255760GT	221, 229, 235	1258756GT	95
1254181GT	95	1255782GT	211, 221, 229	1259055GT	173
1254182GT	95	1255797GT	215, 219, 227	1259182GT	239, 241, 249
1254184GT	99	1255881GT	193	1259447GT	203, 205, 207
1254187GT	113, 115	1256129GT	205	1259448GT	203, 205, 207
1254188GT	115	1256130GT	205	1260704GT	241
1254189GT	113	1256151GT	311	1260926GT	241, 249
1254190GT	213, 217, 225	1256152GT	311	1260940GT	215, 217, 225
1254191GT	221, 231	1256168GT	211, 221, 229	1260941GT	211, 213, 217, 219, 225, 227
1254192GT	215, 219, 227	1256179GT	211, 221, 229, 235	1260963GT	249, 265
1254196GT	235	1256267GT	211, 221, 229	1262432GT	343
1254198GT	217, 225	1256463GT	297	1262469GT	137
1254199GT	215, 217	1256582GT	175	1262484GT	139
1254201GT	229	1256586GT	213, 217, 225	1262911GT	233, 235, 237, 239, 261, 263
1254202GT	213, 221, 231	1256587GT	215, 217, 225	1262944GT	179, 183, 187
1254203GT	221, 231	1256588GT	211	1262945GT	179
1254204GT	215, 217, 225	1256593GT	217, 225	1263198GT	179, 183, 187
1254206GT	233	1256594GT	217	1263199GT	179, 183, 187
1254207GT	211	1256597GT	225	1263240GT	179, 183, 187
1254208GT	213	1256598GT	225	1263241GT	179, 183, 187
1254246GT	169	1256693GT	249	1263542GT	33, 51, 69, 85, 87
1254419GT	169	1256848GT	211, 213, 217, 219, 225, 227	1263543FRGT	77



<u>Part no.</u>	<u>Page Number</u>	<u>Part no.</u>	<u>Page Number</u>	<u>Part no.</u>	<u>Page Number</u>
1263543GT	77, 79	1271770GT	173, 339	1271846GT	161
1264810GT	169	1271771GT	339	1271847GT	161
1264822GT	203, 207	1271772GT	173, 179, 183, 187	1271848GT	15, 159
1264834GT	203, 207	1271773GT	173, 179, 183, 187	1271850GT	163
1265332GT	283, 285	1271797GT	15, 159	1271853GT	159
1265367GT	283, 285	1271798GT	163	1271854GT	165
1265863GT	153	1271799GT	161, 163	1271855GT	165
1266127GT	155, 167	1271800GT	165	1271856GT	163
1266174GT	203	1271801GT	163	1271857GT	165
1266263GT	147, 151, 167	1271802GT	161	1271858GT	163
1266292GT	147, 151	1271803GT	165	1271859GT	163
1267113GT	203	1271804GT	165	1271860GT	159
1267270GT	203	1271805GT	165	1271861GT	163
1267290GT	103, 109	1271806GT	163	1271862GT	163
1267469GT	297	1271807GT	165	1271863GT	163
1267806GT	203, 207	1271808GT	165	1271864GT	163
1268767GT	153	1271810GT	161	1271866GT	161
1268768GT	153	1271811GT	161	1271867GT	159
1268957GT	251	1271812GT	161	1271871GT	161
1269612GT	167	1271813GT	161	1271872GT	161
1269676GT	205	1271814GT	165	1271876GT	159
1269693GT	301	1271815GT	161	1271877GT	163
1270142GT	135	1271818GT	165	1271878GT	15, 147, 151
1270697GT	129, 143, 157	1271823GT	15, 159	1271879GT	159
1270952GT	157	1271825GT	147, 151	1271880GT	163
1270954GT	147, 151	1271826GT	163	1271923GT	161
1270955GT	157	1271827GT	161	1272019GT	15, 181, 185
1270996GT	181	1271829GT	165	1272020GT	181, 185, 189
1271076GT	195	1271830GT	165	1272022GT	181
1271081GT	317, 343	1271831GT	165	1272023GT	181
1271715GT	157	1271832GT	149, 151, 163, 205	1272054GT	161
1271717GT	157, 161	1271833GT	159	1272067GT	161
1271728GT	163	1271834GT	163	1272202GT	185, 189
1271729GT	155, 159	1271835GT	163	1272242GT	25, 33, 43, 51, 61, 69
1271731GT	155, 159	1271836GT	159	1272457GT	157, 161
1271733GT	165	1271837GT	161	1272458GT	157
1271734GT	165	1271838GT	161	1272505GT	147, 151
1271735GT	161	1271839GT	161	1272569GT	195
1271736GT	163	1271840GT	161	1272587GT	181
1271737GT	165	1271842GT	161	1272828GT	153
1271751GT	163	1271843GT	161	1272843GT	19, 39, 57, 77
1271754GT	15, 163	1271845GT	161	1272952GT	157



<u>Part no.</u>	<u>Page Number</u>	<u>Part no.</u>	<u>Page Number</u>	<u>Part no.</u>	<u>Page Number</u>
1272953GT	157	1281175GT	91	1293165FRGT	77
1272994GT	181	1281807GT	153	1293165GT	77, 83
1272995GT	181	1283026GT	241, 249, 251	1293166GT	91
1272997GT	181, 185, 189	1283030GT	237, 247, 313, 317	1293217GT	91
1273249GT	199	1283121GT	103, 109	1293266GT	213, 217, 225
1273254GT	205, 209	1283282GT	153	1293267GT	207
1273258GT	129, 143, 157	1283904GT	339	1293347GT	339
1273617GT	289	1283928GT	339	1293497GT	163
1273618GT	289	1285230GT	301	1293498GT	163
1274165GT	215, 219, 241, 241, 317	1285293GT	121	1293499GT	163
1274166GT	133, 211, 215, 211, 219, 225...	1286397GT	245	1293500GT	165
1274168GT	241	1286403GT	245	1293501GT	165
1274172GT	341	1286406GT	241, 245	1293502GT	165
1274301GT	137	1286408GT	237	1293503GT	163
1274320GT	211, 221, 229, 235, 235	1286413GT	245	1293504GT	165
1274322GT	249, 341	1286414GT	245	1293505GT	163
1274947GT	339	1288047GT	213, 219, 227	1293652GT	339
1275431GT	195	1288048GT	213, 219, 227	1293763GT	147, 151
1275562GT	315	1288162GT	213, 217, 225	1293765GT	147, 151
1275810GT	313	1288205GT	341	1293984GT	339
1275824GT	185, 189	1288239GT	341	1293985GT	339
1276927GT	173, 183, 187	1288627GT	341	1294153GT	205, 209
1276928GT	173, 185, 189	1288628GT	341	1294247GT	213, 219, 227
1277924GT	237, 249, 265, 341	1288629GT	341	1294319FRGT	77
1277998GT	37	1288967GT	313	1294319GT	77
1277999GT	55	1289520GT	173, 339	1294398GT	81, 87
1278000GT	73	1289521GT	173, 339	1294688GT	91
1278935GT	185, 189	1289522GT	339	1294707GT	81
1278977GT	191	1289523GT	339	1295186GT	153, 161
1279269GT	173, 183, 187	1289561GT	173, 339	1295339GT	213, 217, 225
1279270GT	173, 185, 189	1289762GT	341	1295340GT	213, 217, 225
1279465GT	169	1289877GT	313	1295341GT	213, 217, 225
1279466GT	169	1289888GT	313, 317	1295448GT	81, 89
1280156GT	321	1289899GT	339	1295468GT	193
1280296GT	147, 185, 189	1291595GT	205, 209	1296499GT	193
1280297GT	147, 185, 189	1291624GT	79, 87	1296530GT	77, 85
1280298GT	147, 185, 189	1292512GT	79, 87	1296895GT	343
1280391GT	147, 151	1292513GT	79, 87	1298079GT	209
1280665GT	253, 257, 261	1292514GT	81, 87	1298080GT	209
1280819GT	79	1292515GT	81, 87	1298391GT	83, 91
1280820GT	79	1292674GT	203, 207, 209	1298393GT	83, 91
1281174GT	83, 91	1292675GT	205, 207	1298395GT	83, 91

<u>Part no.</u>	<u>Page Number</u>	<u>Part no.</u>	<u>Page Number</u>	<u>Part no.</u>	<u>Page Number</u>
1298396GT	83	1304111GT	99	1316068GT	95
1298397GT	83	1304132GT	209	1322404GT	317
1298398GT	83	1304960GT	161	1322405GT	317
1298531GT	97	1305738GT	173, 185, 189	1322408GT	317
1298672GT	281	1305757GT	97	1323168GT	115
1298673GT	281	1306152GT	93	1323169GT	113
1298687GT	15, 159	1306176GT	93	1323170GT	335
1298688GT	15, 159	1306264GT	283, 285	1323276GT	343
1298690GT	15, 159	1306599GT	205, 207	T106385GT	313, 317
1298691GT	15, 159	1306693GT	179, 183, 187	T106699GT	197
1298695GT	15, 159	1306744GT	283, 285	T106782GT	175
1298696GT	15, 159	1306819GT	75	T106787GT	179
1298697GT	15, 159	1306820GT	75	T107408GT	269
1298698GT	15, 159	1306821GT	83	T108039GT	251
1298699GT	15, 159	1306822GT	83	T108044GT	265
1298700GT	15, 159	1306823GT	85	T108074GT	251
1298701GT	17, 159	1306824GT	85	T108138GT	211, 217, 225
1298702GT	17, 159	1306825GT	91	T108139GT	211, 213, 217, 219, 225, 227
1298722GT	209	1306826GT	91	T108147GT	197
1298933GT	13	1306884GT	179, 183, 187	T109085GT	95
1299183GT	165	1307072-1000GT	179, 183, 187	T109593GT	95
1299219GT	77, 81, 85, 89	1307074GT	191	T109734GT	215, 219, 231
1299263FRGT	77	1307136GT	163	T109739GT	101, 107
1299263GT	77, 81	1308271GT	159	T109743GT	203
1299285GT	91	1308272GT	159	T109744GT	101, 107
1299286GT	91	1309602GT	285	T109745GT	101, 107
1299287GT	91	1309858GT	77, 85	T109747GT	205, 209
1299365GT	195	1309957GT	131	T109749GT	203
1299471GT	207	1309958GT	131	T109750GT	203
1299472GT	207	1309984GT	131	T110624GT	319
1299473GT	209	1310378GT	175, 253, 257, 261	T110637GT	103, 109
1299626GT	207	1311045GT	175	T112283GT	169
1300771GT	195	1311471FRGT	77	T112457GT	173
1301002GT	209	1311471GT	77	T112560GT	255, 259, 263
1301003GT	207	1311944GT	189	T113085GT	275
1301217GT	81, 89	1311994GT	189	T114353GT	335
1301840GT	83	1311998GT	151	T114354GT	335
1301856GT	193	1311999GT	151	T114356GT	335
1301857GT	193	1312528GT	77, 85	T114357GT	335
1302078GT	343	1312776GT	255, 259, 263	T114358GT	335
1302079GT	343	1313592GT	173, 339	T114635GT	21, 25, 31, 33, 77, 81...
1303918GT	209	1314967GT	195	T114636GT	39, 43, 49, 51, 77, 81...



<u>Part no.</u>	<u>Page Number</u>	<u>Part no.</u>	<u>Page Number</u>	<u>Part no.</u>	<u>Page Number</u>
T114637GT	57, 61, 67, 69, 77, 81...				
T114638GT	27, 29				
T114639GT	45, 47				
T114640GT	63, 65				
T114641GT	27				
T114642GT	45				
T114643GT	63				
T115706GT	175				



California Proposition 65

 **WARNING**

Operating, servicing and maintaining this equipment, passenger vehicle or off-highway motor vehicle can expose you to chemicals including engine exhaust, carbon monoxide, phthalates, and lead, which are known to the State of California to cause cancer and birth defects or other reproductive harm. These chemicals can be emitted from or contained in other various parts and systems, fluids and some component wear by-products. To minimize exposure, avoid breathing exhaust, do not idle the engine except as necessary, service your equipment and vehicle in a well-ventilated area and wear gloves or wash your hands frequently when servicing your equipment or vehicle and after operation. For more information go to www.P65Warnings.ca.gov/passenger-vehicle.

Breathing diesel engine exhaust exposes you to chemicals known to the State of California to cause cancer and birth defects or other reproductive harm.

- Always start and operate the engine in a well-ventilated area.
- If in an enclosed area, vent the exhaust to the outside.
- Do not modify or tamper with the exhaust system.
- Do not idle the engine except as necessary.

For more information go to www.P65warnings.ca.gov/diesel.

www.genielift.com

Distributed By: